



Installation Instructions Seat Cover, Rear Bench Kit

Part Number 29292

Installation Tips

Read and follow, precisely, all installation instructions provided when installing this product. Failure to do so may result in a poor fit, and could place occupants of the vehicle in a potentially dangerous situation.

WARNING

To reduce the risk of accidental injury: Follow all vehicle Manufacturer's and Bestop® safety messages, application and installation instructions.

- If you remove the seat from the vehicle to install this product, please refer to the Owner's Manual to properly re-install the seat.
- Fit and maintain sides of seat cover as tight to seat as possible, always matching front to side seam of seat with similar panels and seams of seat cover.
- Do not use and replace if seat cover becomes damaged or wear no longer allows a tight fit to seat sides.



Care & Maintenance

Your seat covers are machine washable. Wash separately in COLD water with ¼ of normal amount of soap. Hang dry.

WEAR SEAT BELTS AT ALL TIMES

Tools	Installation Time	Support
<div data-bbox="462 1153 577 1218"></div> <div data-bbox="474 1227 564 1279"><p>Safety Glasses</p></div> <div data-bbox="228 1390 289 1443"></div> <div data-bbox="306 1398 464 1433">CAUTION</div> <div data-bbox="478 1391 829 1446"><p>Safety glasses should be worn at all times when installing this product.</p></div>	<div data-bbox="1041 1089 1171 1218"></div> <div data-bbox="1192 1135 1310 1166"><p>2 hours</p></div> <div data-bbox="1115 1268 1289 1305">Skill Level</div> <div data-bbox="1029 1341 1365 1414"></div> <div data-bbox="1029 1427 1362 1463"><p>3 - Moderately Difficult</p></div>	<div data-bbox="1535 1084 1875 1185"><p>We're here to help! Go to: https://www.bestop.com and click on Need Help?</p></div> <div data-bbox="1606 1242 1785 1416"></div> <div data-bbox="1488 1430 1923 1461"><p>https://www.bestop.com/video-library</p></div>

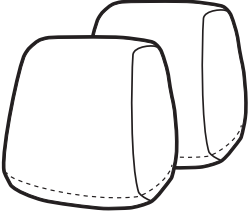
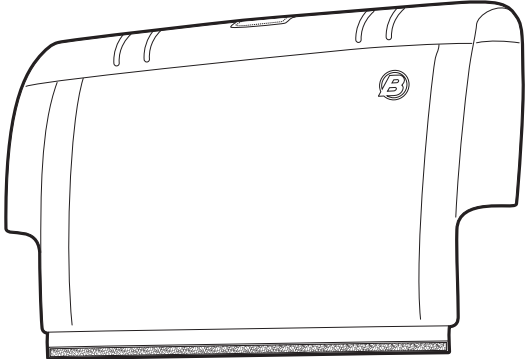
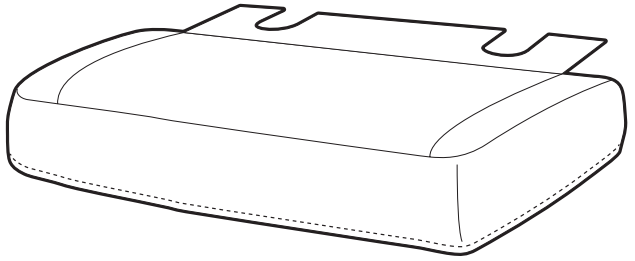


Installation Instructions Seat Cover, Rear Bench Kit

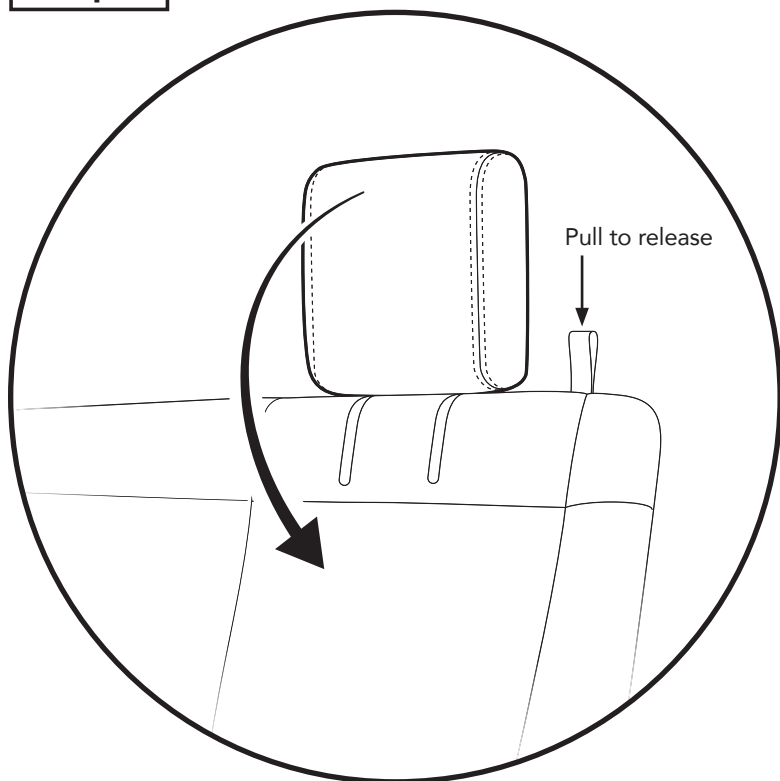
Part Number 29292

Parts List

- Required parts for installation - Page number in Installation Guide

All Sections	Headrest Covers; Seatback Cover; Seat Bottom Cover	Pages 3 to 8 of Guide
 <p data-bbox="220 738 399 803">Headrest Covers Qty. 2</p>	 <p data-bbox="766 803 945 868">Seatback Cover Qty. 1</p>	 <p data-bbox="1543 803 1753 868">Seat-Bottom Cover Qty. 1</p>

Step 1



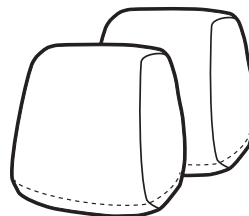
Step 1

Pull headrest release straps, and let the headrests flip down.

Remove the headrests from the seatback by pulling down on each headrest.

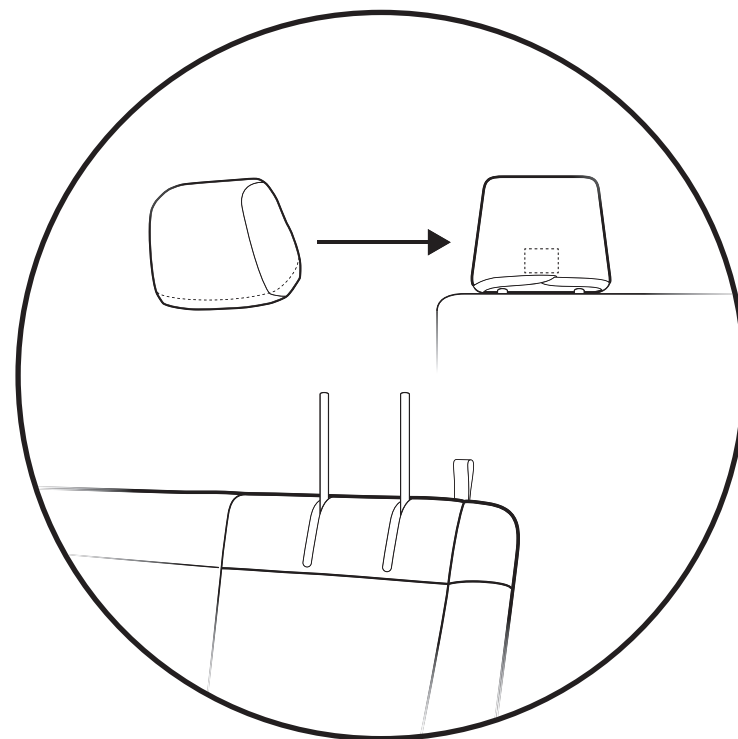
Flip the headrest shafts back up to the vertical position.

Hardware



Headrest Covers
Qty. 2

Step 2



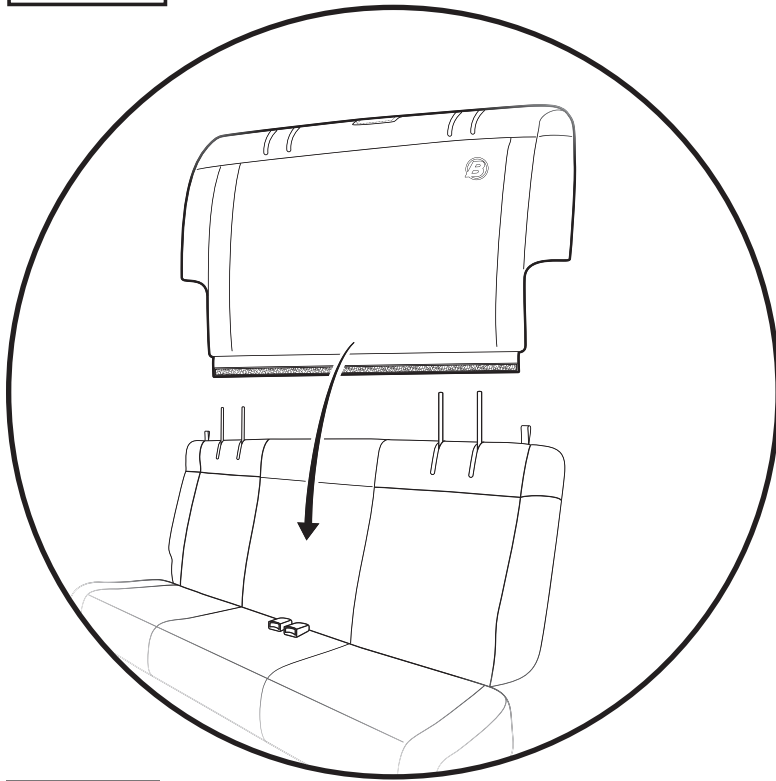
Step 2

Wrap the headrest covers over the headrests, making sure that the crossed elastic edging and internal label are at the back of each headrest.

Adjust the seams for a smoother appearance.

Set headrests aside - do not reinstall at this time.

Step 1



Step 1

Slip the seatback cover over the seatback.

Carefully stretch and tuck the seat cover fabric around the seat.

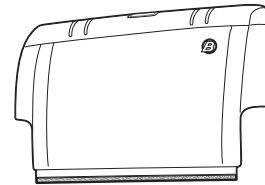
Make sure that the seatback tilt release latch is centered in the cutout area for it.

Lay the flap at the bottom of the seatback cover on the top of the seat bottom.

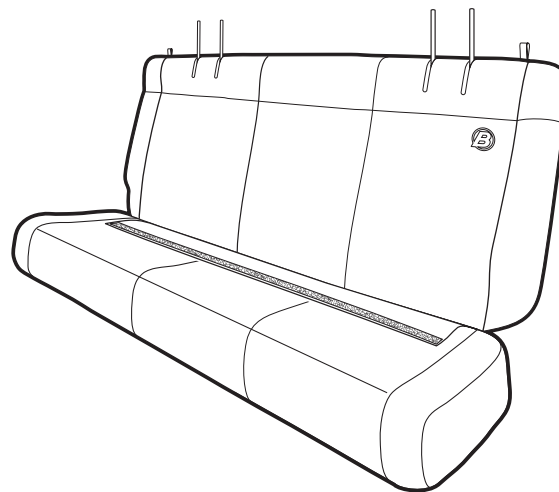
Pull the Headrest Release Straps through the openings provided.

Pull the seat lift strap through the opening provided.

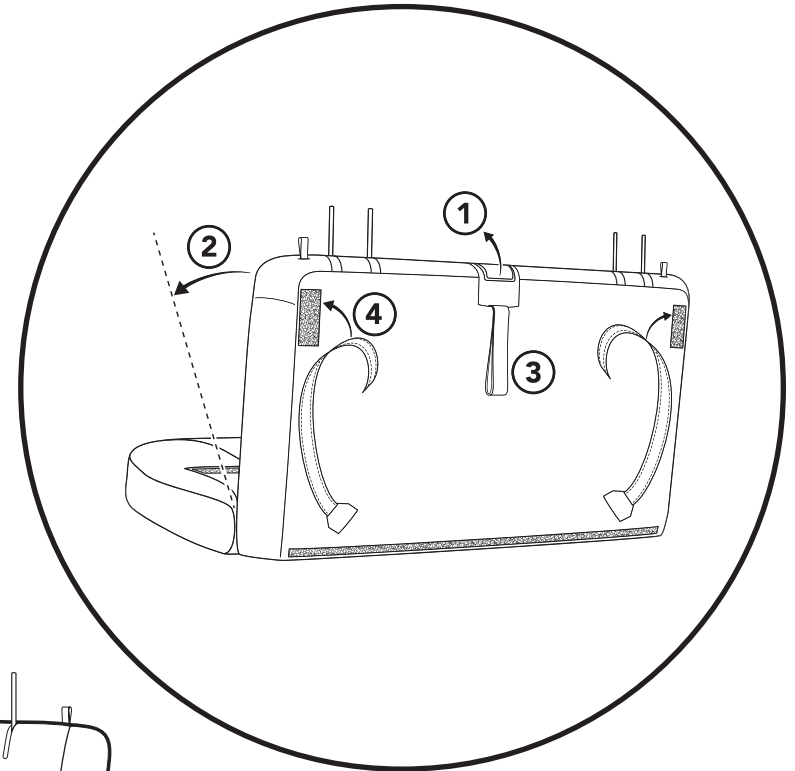
Hardware



Seatback Cover
Qty. 1



Step 2



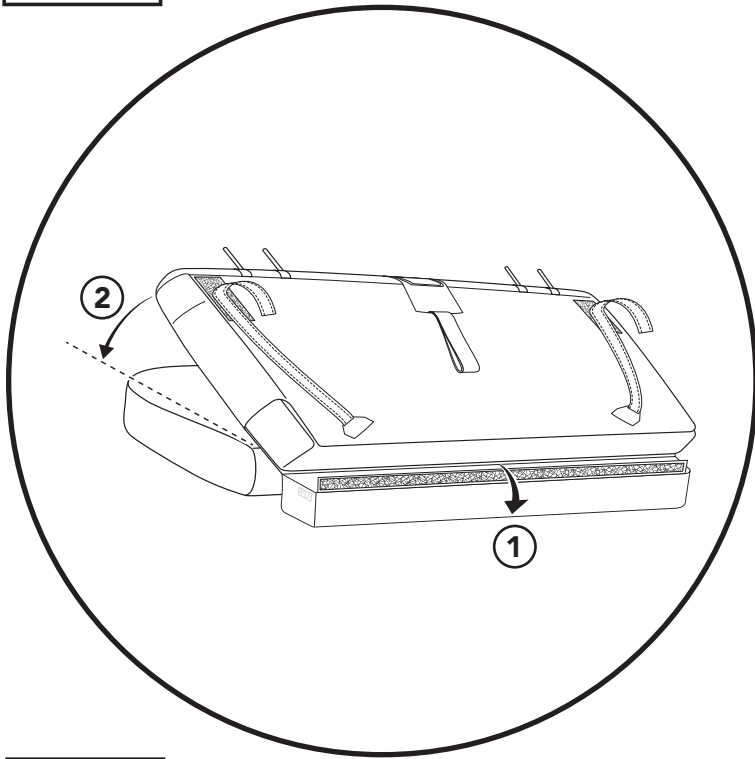
Step 2

① Lift the seatback tilt release latch on top of the seat to allow the seatback to tilt forward.

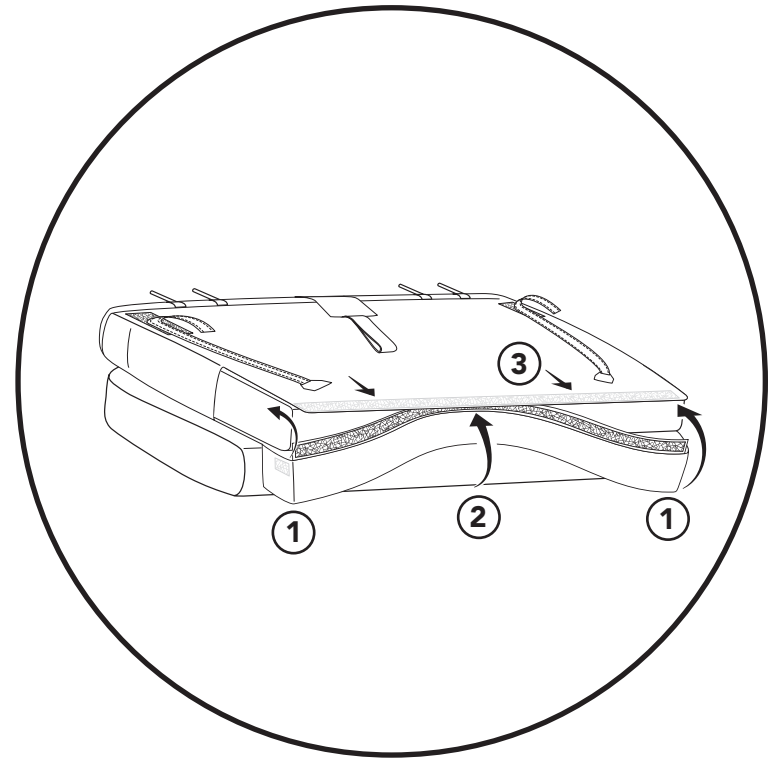
② Tilt the seatback forward about halfway, which will create a space between the seatback and seat bottom.

③ Feed the seatback tumble strap through the cutout in the seat cover.

④ Attach the seat tether straps to the Loop Fabric Strips on the back of the seat cover.

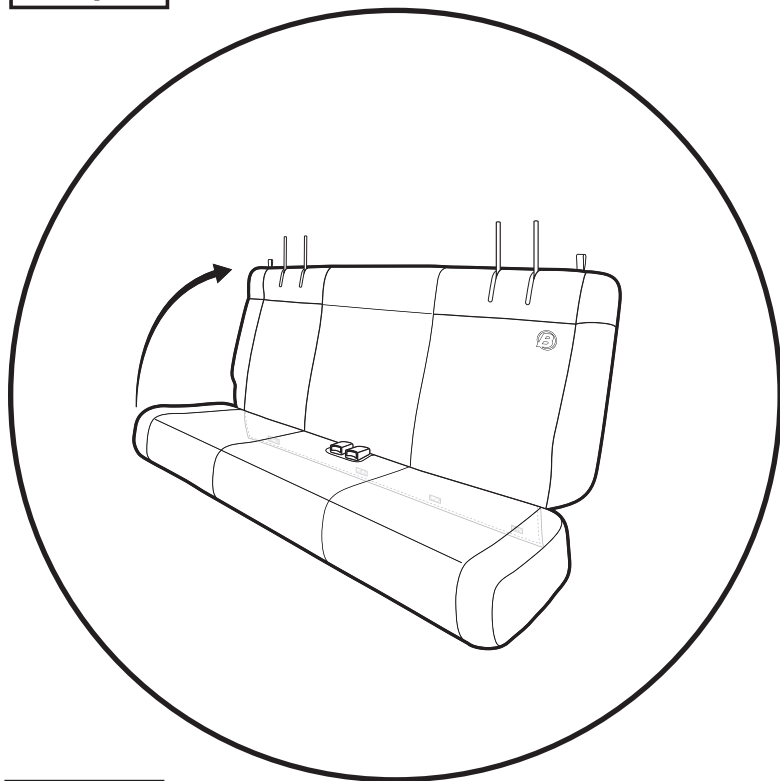
Step 1**Step 1**

- ① Bring the fabric flap through the gap between the seatback and seat bottom.
- ② Tilt the seatback all the way forward.

Step 2**Step 2**

- ① With the seatback tilted all the way forward, attach the small hook-&-loop tabs in each corner to the carpeted area at each corner of the seatback.
- ② Pull the bottom of the seat cover over the hook-&-loop strip on the outside of the flap, starting in the middle and working to the outside on each side of the seat.
- ③ While pulling down on the seatback fabric and pulling up on the flap, tighten the cover, snugging the hook-&-loop tighter from the middle to the sides.

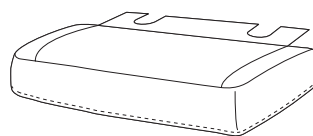
Step 1



Step 1

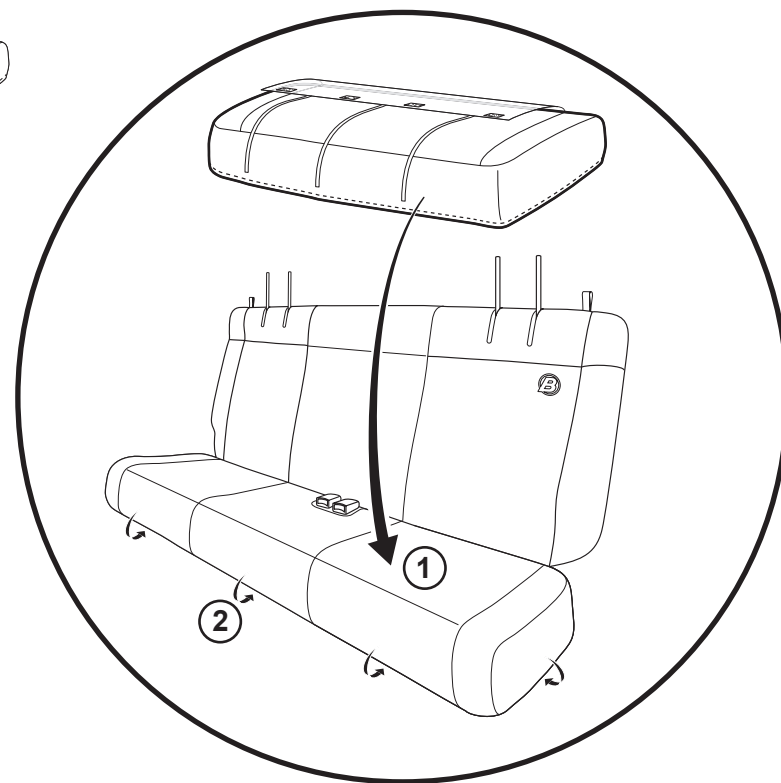
Flip the seatback into the upright position.

Hardware



Seat-Bottom Cover
Qty. 1

Step 2



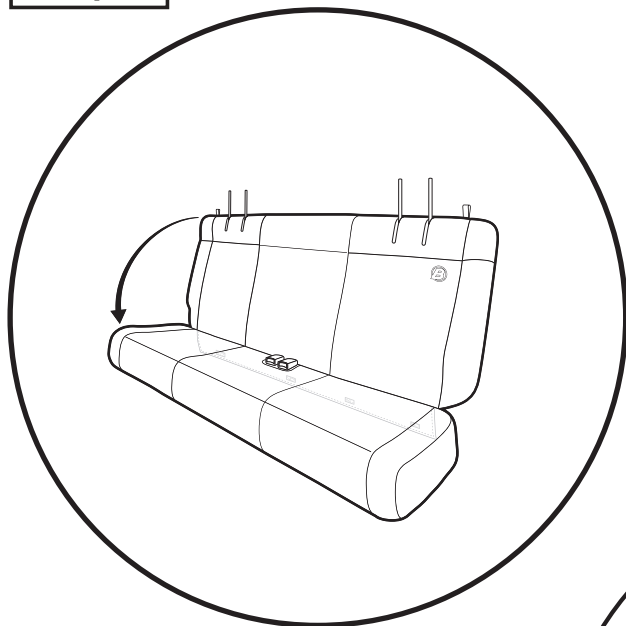
Step 2

① Slip the seat-bottom cover over the seat-bottom.

Make sure the child seat attachment rings and seatbelt latches are slipped through the correct holes in the cover.

② Attach hook fabric on seat bottom cover to carpet all around the seat bottom.

Step 1



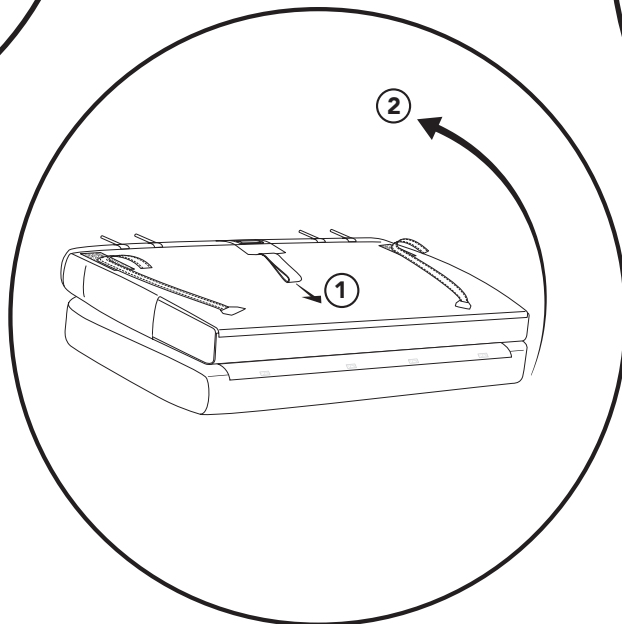
Step 1

Fold the seatback down to flat.

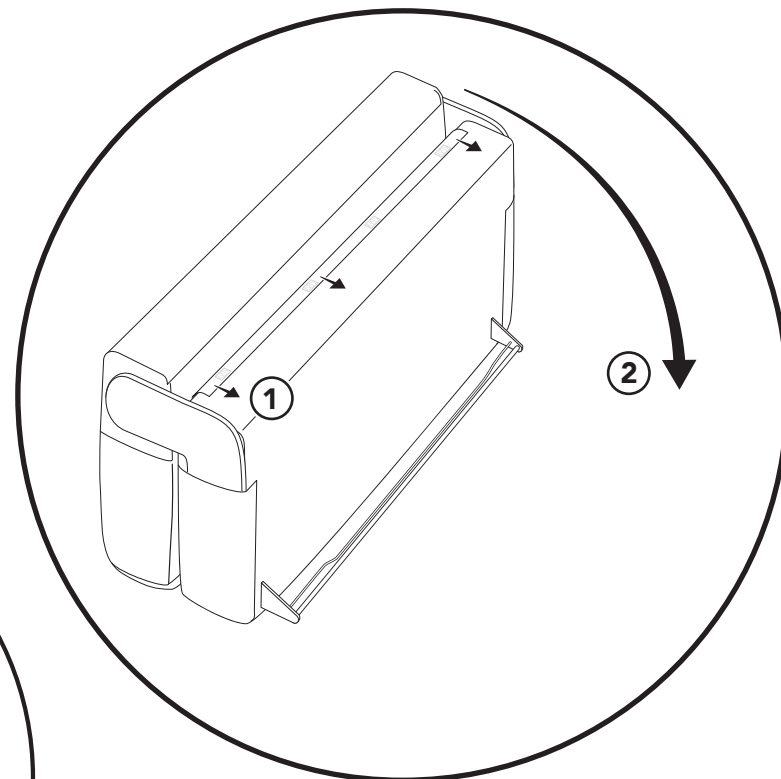
Step 2

- ① Pull on the seat tumble strap to release the seat assembly;
- ② Lift the whole seat assembly upright.

Step 2



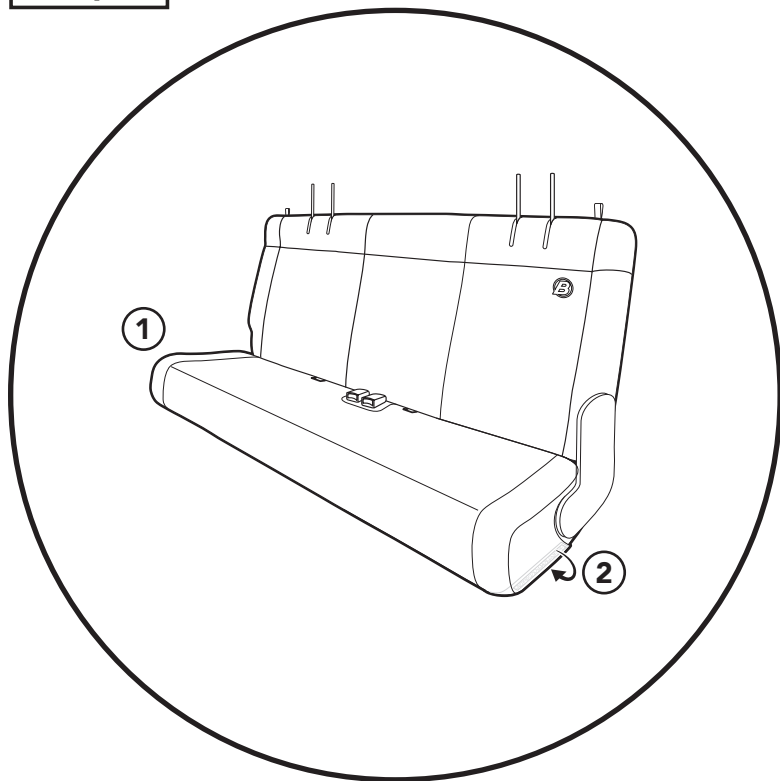
Step 3



Step 3

- ① With the seat assembly standing up, pull on the flap and attach the hook fabric tabs on the underside to the carpeted area of the seat bottom. Snug the fit by working across from side-to-side.
- ② Tilt the seat assembly back to the normal seating position.

Step 1



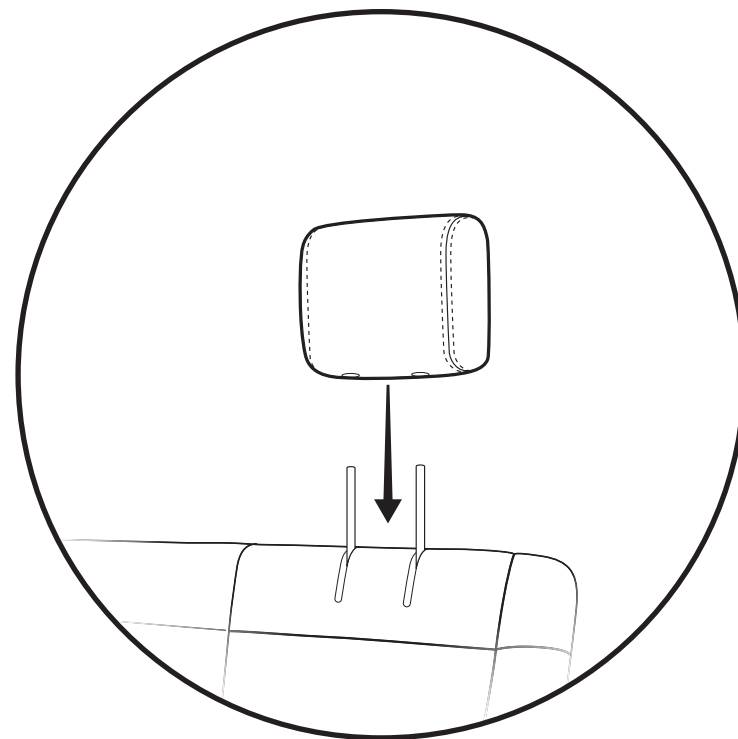
Step 1

Smooth any wrinkles in the fabric by snugging the fabric on the ① left and ② right sides of the seat bottom cover.

Pull on the fabric and attach the hook-&-loop strips on the inside of the fabric to the carpeted area of the seat.

You may need to make additional adjustments to the tightness of the flap at the bottom of the seat in the back to smooth any wrinkles.

Step 2



Step 2

Replace both headrests.

NOTE: You may have to release the headrest shafts and tilt the headrests forward, to allow enough room to re-insert the headrests onto the shafts.



Warranty Information Seat Cover, Rear Bench Kit

Part Number 29292

WHAT BESTOP WARRANTS

Subject to the terms and conditions of sale, including any terms and conditions set forth by Bestop, Inc. (“Bestop” or “us” or “we”) in our then-current terms of sale on our website (collectively, the “Terms”), Bestop represents and warrants that: the covered products listed in the “Covered Products and Warranty Periods” section (a “Product”) will substantially be free from defects in materials and workmanship for the specified warranty periods set forth in that section.

THE WARRANTY IS LIMITED AND CONDITIONAL

This warranty applies to the original purchaser of the Product only. The warranty is valid only as long as the original retail purchaser owns the vehicle upon which the Product is installed. The warranty expires should the Product be removed from the original vehicle or if the original vehicle is transferred to another owner.

This warranty is not transferable or assignable. The warranty does not apply to Product bought from auction-style or price-bid websites.

THE LIMITED WARRANTY AND STATED REMEDIES ARE SOLE AND EXCLUSIVE AND IN LIEU OF ALL OTHER WARRANTIES AND REMEDIES, AND COMPANY EXPRESSLY DISCLAIMS ALL IMPLIED OR STATUTORY OR OTHER WARRANTIES, INCLUDING WITHOUT LIMITATIONS WARRANTIES OF MERCHANTABILITY, NON-INFRINGEMENT OR FITNESS FOR A PARTICULAR PURPOSE. IN NO EVENT WILL COMPANY BE LIABLE FOR ANY SPECIAL, INCIDENTAL, CONSEQUENTIAL, PUNITIVE, INDIRECT OR EXEMPLARY DAMAGES OF ANY KIND, INCLUDING LOST PROFITS OR REVENUE, HOWEVER CAUSED, WHETHER FOR BREACH OR REPUDIATION OF CONTRACT, TORT, BREACH OF WARRANTY, NEGLIGENCE, OR OTHERWISE, WHETHER OR NOT COMPANY WAS ADVISED OF THE POSSIBILITY OF SUCH LOSS OR DAMAGES.

Some states do not allow exclusion or limitation, so this may not apply to you. This warranty gives you specific legal rights, and you may have other rights which vary from state to state.

EXCLUSIONS TO THE WARRANTY

The Limited Warranty excludes, and Bestop is not liable in any way for any warranty claims, damages, or defects related to:

- Misuse, abuse, accidents, vandalism, negligence, fire, or improper installation or modification, or improper or inadequate maintenance;
- Failure to comply with any Product documentation, Bestop instructions, or applicable law or regulations; use in extreme conditions
- Force Majeure including but not limited to, earthquake, hurricane, tornado, flooding, or other disasters natural or man-made, civil unrest, strikes, declared or undeclared war, or lack of performance by, or discontinued product of, supply chain partners whose products, software, operations or management is beyond the control of Bestop;
- Damage resulting in breakage (including without limitation, spontaneous breakage, accidental breakage or breakage by any other means) of a Product or any component part;
- Damage to vinyl windows due to misuse, or cracking due to varying weather conditions.

YOUR SOLE REMEDY

During the applicable warranty period, Bestop shall, at its option, either repair or replace any Product that it confirms, in its discretion, is non-compliant with the warranties herein. Bestop will not pay for labor charges associated with installation or removal of the Product. Should a specific Product be discontinued, Bestop may, at its option, replace the discontinued Product with a current product or like product.

Please retain your proof of purchase. Original proof of purchase for the Product must accompany any warranty claim. If you have a warranty claim, first you must email Bestop Customer Service at csbestop@bestop.com for instructions. All claims must be emailed to csbestop@bestop.com within 30 days of discovery of a defective Product, but in no event later than thirty days after the end of the applicable Warranty Period (the “Warranty Notice Period”). Warranty claims made after the Warranty Notice Period are null and void and Bestop shall have no responsibility with respect to such claims.

THIS SECTION SETS FORTH BESTOP’S SOLE OBLIGATION & YOUR SOLE REMEDY WITH RESPECT TO ANY DEFECTS OR OTHER PRODUCT ISSUE. ANY PRODUCTS REPLACED UNDER TERMS OF THIS WARRANTY WILL BE COVERED UNDER TERMS & BALANCE OF THE DURATION OF THE ORIGINAL LIMITED WARRANTY FOR SUCH PRODUCT.



Warranty Information Seat Cover, Rear Bench Kit

Part Number 29292

COVERED PRODUCTS AND WARRANTY PERIODS: The warranty time periods are as follows for Products manufactured by Bestop:

BESTOP® LIMITED LIFETIME WARRANTY

Trektop® Pro Twill Fabric Top Sunrider® for Hardtop Twill Fabric Top
Trektop® NX Glide Twill Fabric Top Replace-a-Top™ Twill Fabric Top
Trektop® NX Twill Fabric Top Supertop® NX Twill Fabric Top
EZFold™ Soft Tonneaus Floor & Cargo Liners
ZipRail™ Soft Tonneaus Pet Barriers
EZRoll™ Soft Tonneaus

BESTOP® 5-YEAR LIMITED WARRANTY

Trektop® NX Glide™ Top (non-Twill) Sunrider® for Hardtop (non-Twill) Replace-a-Top™ Top (non-Twill) Trektop® NX Top (non-Twill)
Sailcloth Replace-a-Top™ Supertop® NX Top (non-Twill)
Tigertop™ and Halftop™ Supertop® Classic Soft Top Sunrider® Complete Soft Top Supertop® for Truck
EZ Fold Hard Tonneau

BESTOP® 3-YEAR/100K MILES LIMITED WARRANTY

Powerboard® & Powerboard® NX
Trekstep®, Side Mount
Trekstep®, Rear Mount

BESTOP® 3-YEAR LIMITED WARRANTY

Pavement Ends Sprint Top

BESTOP® 2-YEAR LIMITED WARRANTY

Trektop® Classic Soft Top
RoughRider™ Soft Storage

BESTOP® 1-YEAR LIMITED WARRANTY

All other Bestop® & Pavement Ends™ products not specified above.

For further information or request for warranty work, please contact:

Bestop Inc. Customer Service

Toll-Free: (800)845-3567

E-mail: customerservice@Bestop.com

Website: www.Bestop.com