



Installation Instructions Seat Covers, Rear Kit

Part Number 29294

Installation Tips

Read and follow, precisely, all installation instructions provided when installing this product. Failure to do so may result in a poor fit, and could place occupants of the vehicle in a potentially dangerous situation.

WARNING

To reduce the risk of accidental injury: Follow all vehicle Manufacturer's and Bestop® safety messages, application and installation instructions.

- Do not remove seats from the vehicle to install this product.
- Fit and maintain sides of seat cover as tight to seat as possible, always matching front to side seam of seat with similar panels and seams of seat cover.
- Remove headrest carefully to avoid damaging manufacturer's wiring. Assure all plugs are connected after installation of seat cover.
- Do not use and replace if seat cover becomes damaged or wear no longer allows a tight fit to seat sides.

Care & Maintenance

Your seat covers are machine washable. Wash separately in COLD water with ¼ of normal amount of soap. Hang dry.

NOTE Will Not Fit 4XE Model Wranglers



WEAR SEAT BELTS AT ALL TIMES

Tools	Installation Time	Support
<div data-bbox="462 1154 577 1219"></div> <div data-bbox="474 1227 564 1281"><p>Safety Glasses</p></div> <div data-bbox="228 1360 289 1412"></div> <div data-bbox="306 1369 464 1403"><p>CAUTION</p></div> <div data-bbox="480 1362 829 1414"><p>Safety glasses should be worn at all times when installing this product.</p></div>	<div data-bbox="1039 1089 1171 1219"></div> <div data-bbox="1194 1135 1297 1167"><p>1 hour</p></div> <div data-bbox="1115 1269 1289 1305"><p>Skill Level</p></div> <div data-bbox="1029 1344 1365 1417"></div> <div data-bbox="1029 1429 1362 1463"><p>2 - Moderately Difficult</p></div>	<div data-bbox="1535 1084 1877 1185"><p>We're here to help! Go to: https://www.bestop.com and click on Need Help?</p></div> <div data-bbox="1606 1243 1785 1417"></div> <div data-bbox="1491 1432 1925 1463"><p>https://www.bestop.com/video-library</p></div>

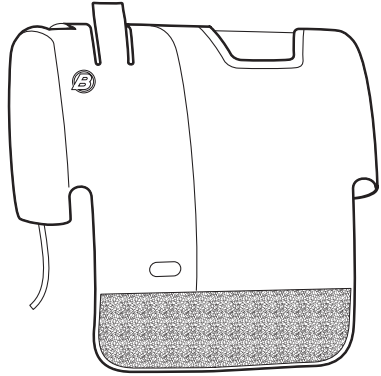
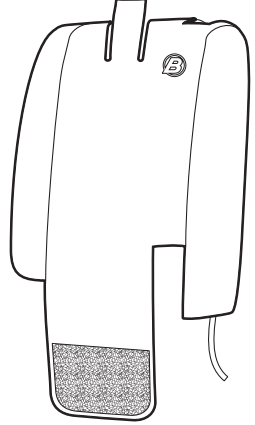
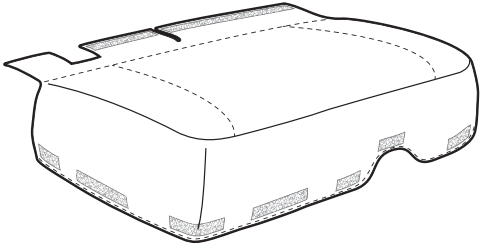
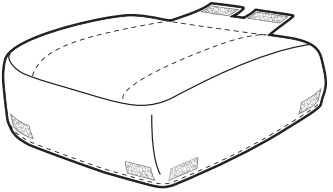


Installation Instructions Seat Covers, Rear Kit

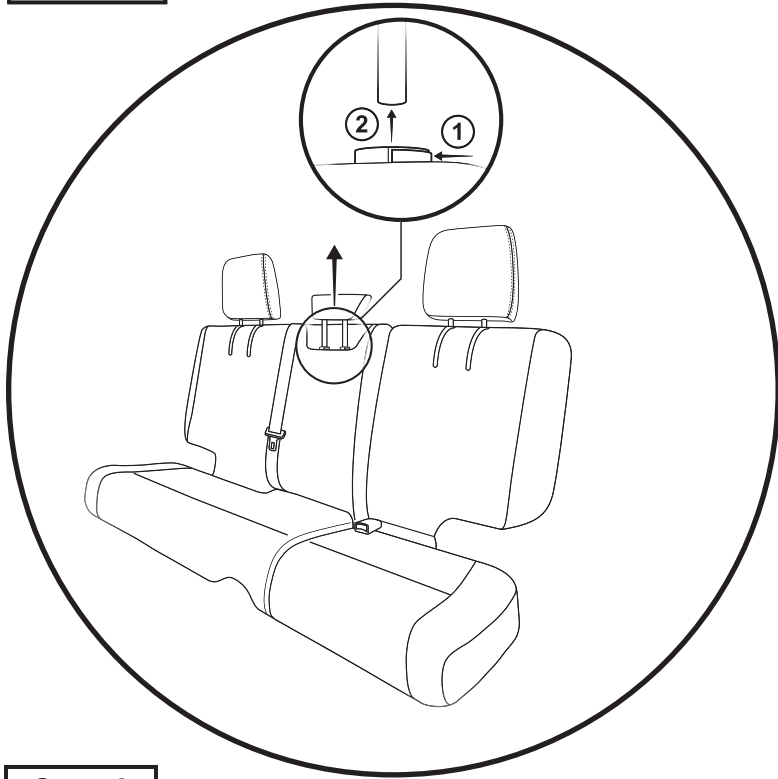
Part Number 29294

Parts List

- Required parts for installation - Page number in Installation Guide

All Sections	Seatback Covers; Seat Bottom Covers	Pages 4 to 6 of Guide	
 <p>Large Seatback Cover Qty. 1</p>	 <p>Small Seatback Cover Qty. 1</p>	 <p>Large Seat Bottom Cover Qty. 1</p>	 <p>Small Seat Bottom Cover Qty. 1</p>

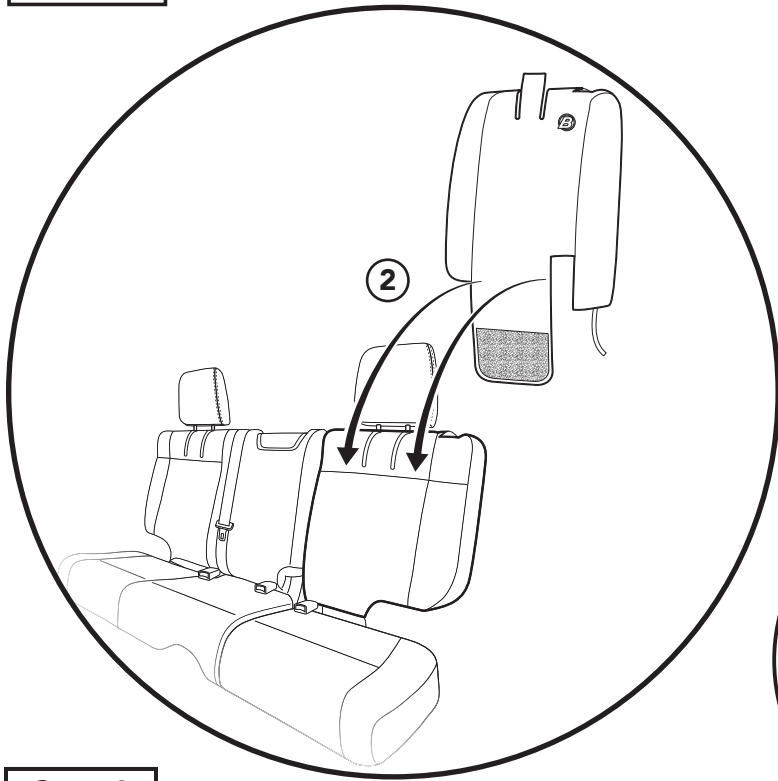
All Sections	Headrest Covers	Page 7 of Guide
 <p>Headrest Covers Qty. 2 - Large Qty. 1 - Small</p>		

Step 1**Step 1**

Remove the center headrest. Lift the headrest until it stops. Then:

- ① Squeeze the headrest release buttons on the headrest supports. Release one post and then the other.
- ② Lift the headrest to remove it from the headrest supports.

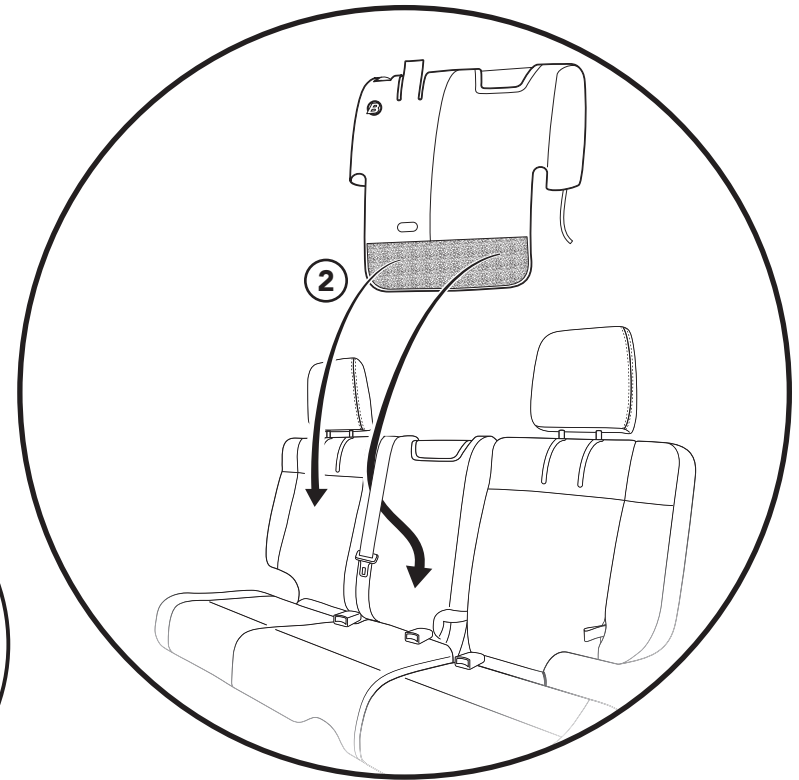
Step 1



Step 1

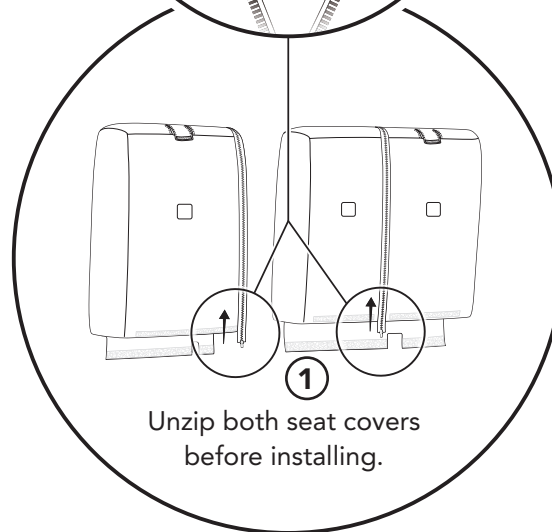
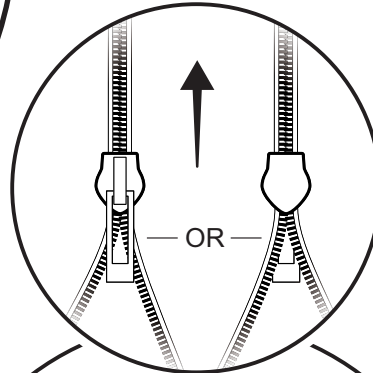
- ① Unzip the back of the Small Seatback Cover.
- ② Slip the seat cover over the headrest and over the small seatback.

Step 2



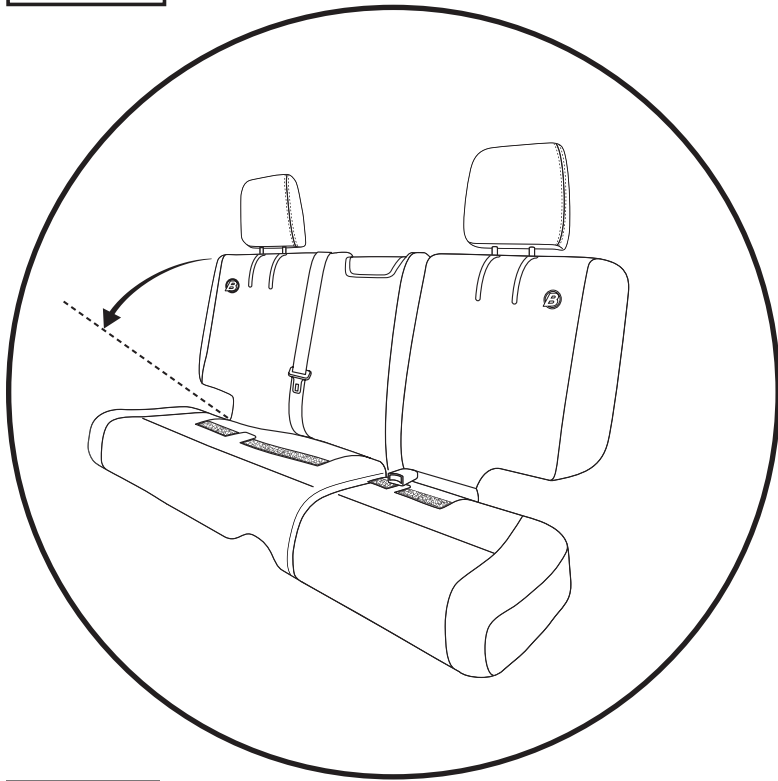
Step 2

- ① Unzip the back of the Small Seatback Cover.
- ② Slip the seat cover over the headrest, under the seatbelt, and over the large seatback.



① Unzip both seat covers before installing.

Step 1



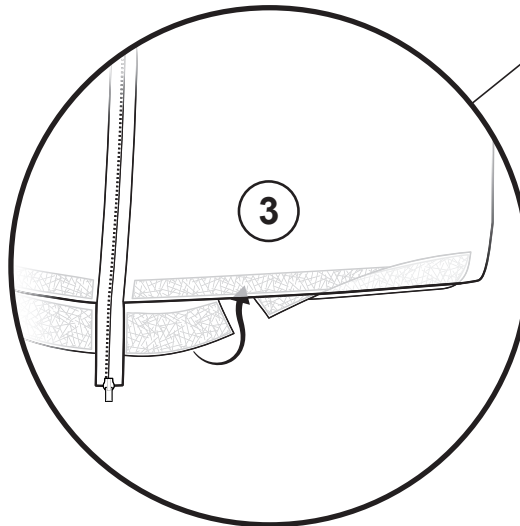
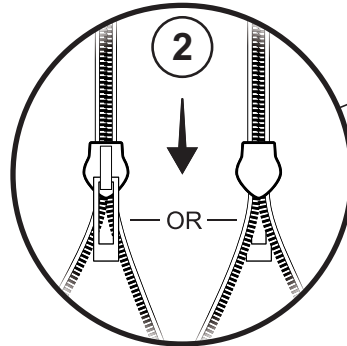
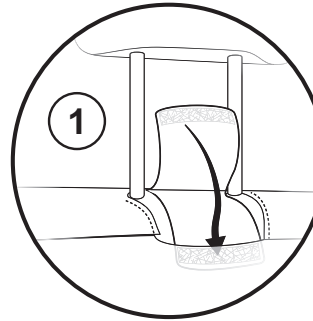
Step 1

Tilt the seatback forward about halfway, which will provide a space between the seatback and the seat bottom.

With the seatback tilted forward, tuck the flap at the bottom of the Large Seatback Cover between the seatback and the seat bottom.

Repeat this procedure on the Small Seatback Cover.

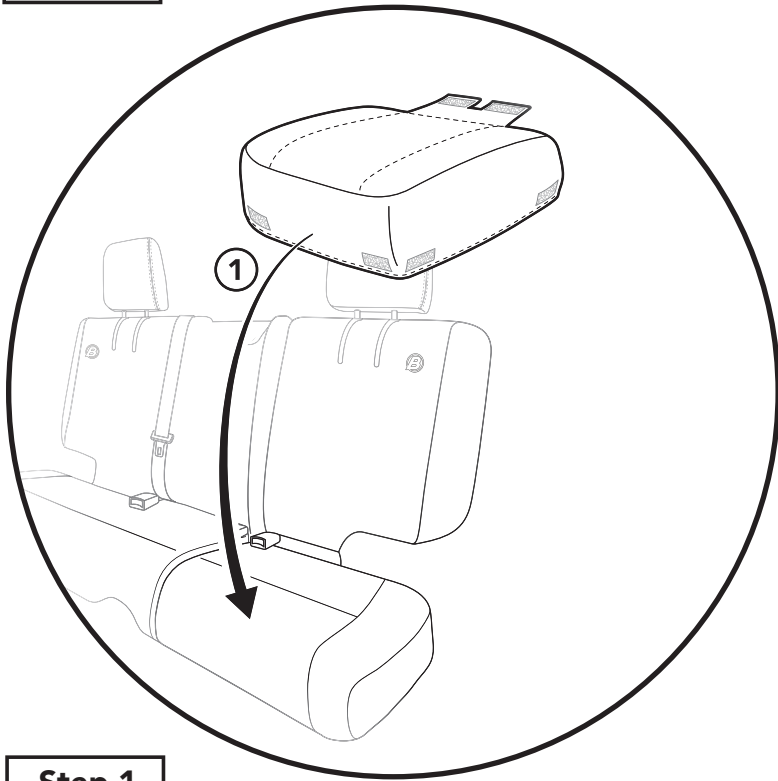
Step 2



Step 2

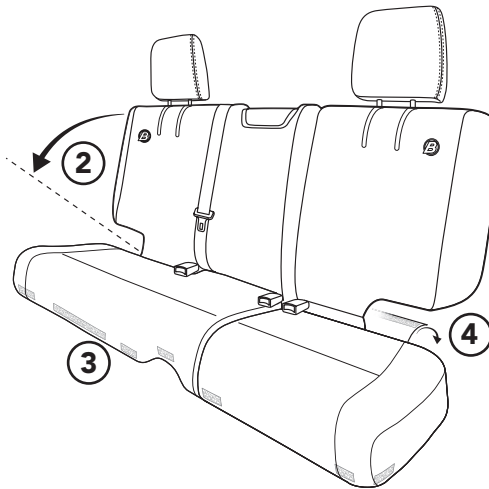
- ① Tuck the flaps between the headrest posts underneath the seat covers at the rear. Make sure that the seatback release latches are accessible on both seats.
- ② Zip both the Large and Small Seatback Covers closed. Make sure that the seat belt is not caught in the cover and operates smoothly.
- ③ Tuck the flaps coming between the seatbacks and seat bottoms under the bottom of each Seatback Cover. Snug the fit by pulling down on the Seatback Cover while lifting up on the flaps and pushing the hook-&-loop strips firmly together.

Step 1

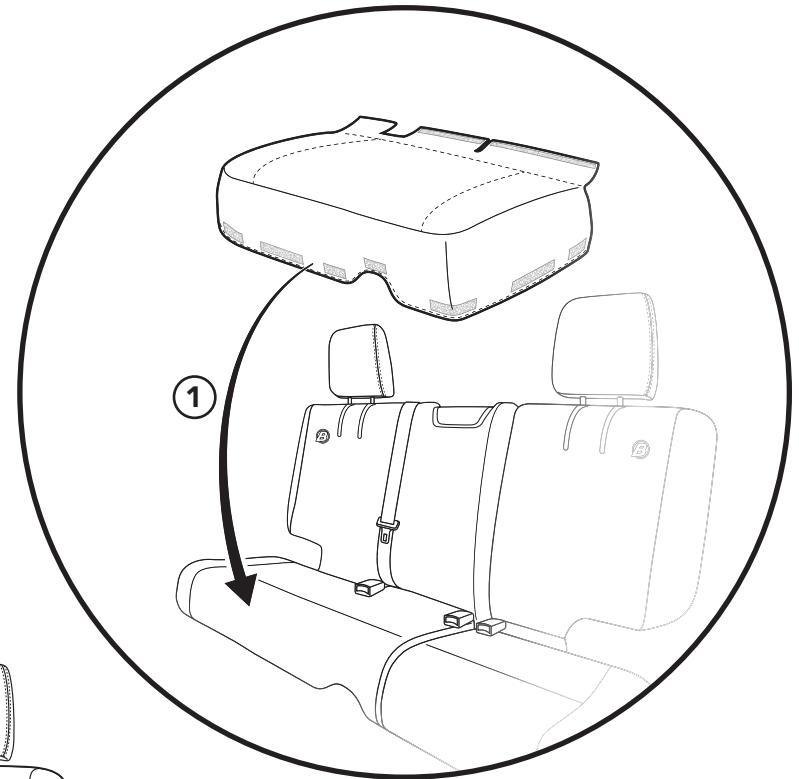


Step 1

- ① Slip the Small Seat Bottom Cover over the small seat bottom.
- ② Tilt the seatback halfway forward, to open a space between the seatback and the seat bottom.
- ③ Attach the Hook-&-Loop fabric tabs on the inside of the Seat Cover to the carpet.
- ④ Feed the flap between the seatback and seat bottom, and attach the Hook-&-Loop fabric to the carpet.



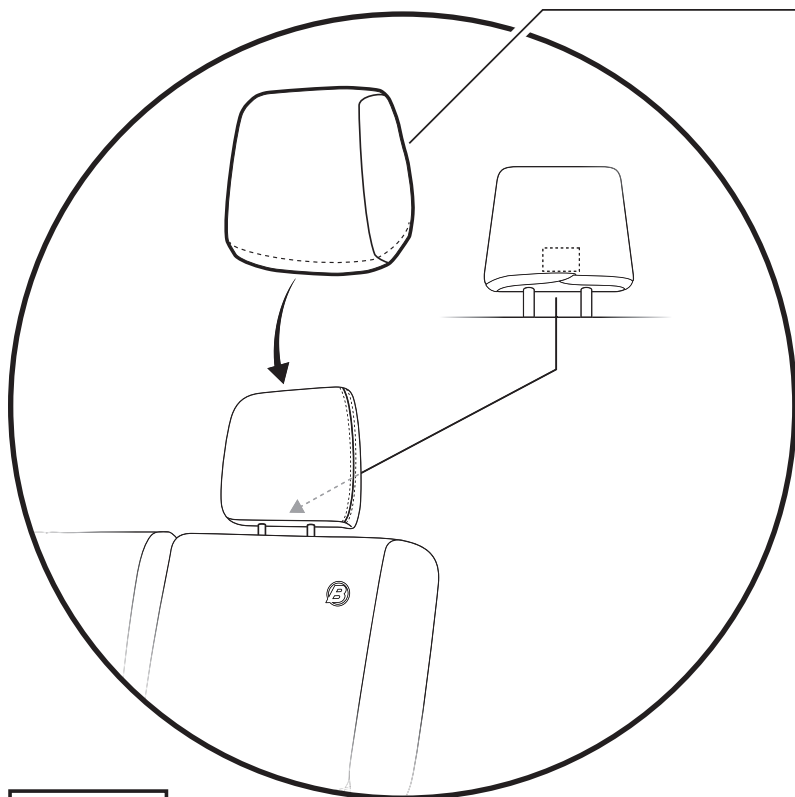
Step 2



Step 2

- ① Slip the Large Seat Bottom Cover over the large seat bottom.
- Follow ② ③ and ④ from **Step 1** doing all the same things as you did on the Small Seat Bottom Cover.

Step 1

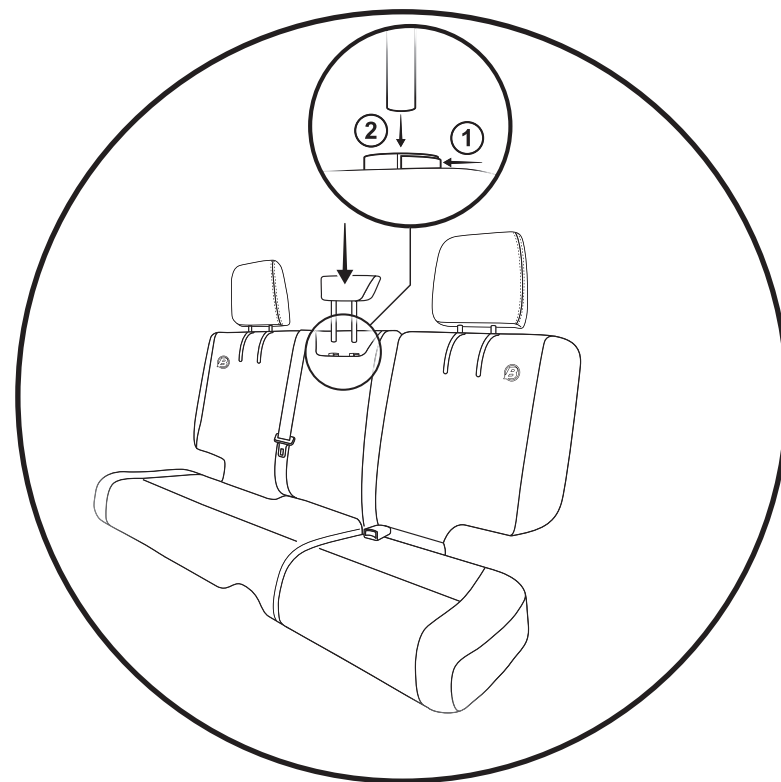


Step 1

Wrap the Headrest Covers over the headrests, making sure that the crossed elastic edging and internal label are at the back of each headrest.

Adjust the seams for a smoother appearance.

Step 2



Step 2

Replace the center headrest:

- ① Squeeze the headrest release buttons on the headrest supports.
- ② Insert the headrest posts into the headrest supports.



Warranty Information Seat Covers, Front Kit

Part Number 29294

WHAT BESTOP WARRANTS

Subject to the terms and conditions of sale, including any terms and conditions set forth by Bestop, Inc. ("Bestop" or "us" or "we") in our then-current terms of sale on our website (collectively, the "Terms"), Bestop represents and warrants that: the covered products listed in the "Covered Products and Warranty Periods" section (a "Product") will substantially be free from defects in materials and workmanship for the specified warranty periods set forth in that section.

THE WARRANTY IS LIMITED AND CONDITIONAL

This warranty applies to the original purchaser of the Product only. The warranty is valid only as long as the original retail purchaser owns the vehicle upon which the Product is installed. The warranty expires should the Product be removed from the original vehicle or if the original vehicle is transferred to another owner.

This warranty is not transferable or assignable. The warranty does not apply to Product bought from auction-style or price-bid websites.

THE LIMITED WARRANTY AND STATED REMEDIES ARE SOLE AND EXCLUSIVE AND IN LIEU OF ALL OTHER WARRANTIES AND REMEDIES, AND COMPANY EXPRESSLY DISCLAIMS ALL IMPLIED OR STATUTORY OR OTHER WARRANTIES, INCLUDING WITHOUT LIMITATIONS WARRANTIES OF MERCHANTABILITY, NON-INFRINGEMENT OR FITNESS FOR A PARTICULAR PURPOSE. IN NO EVENT WILL COMPANY BE LIABLE FOR ANY SPECIAL, INCIDENTAL, CONSEQUENTIAL, PUNITIVE, INDIRECT OR EXEMPLARY DAMAGES OF ANY KIND, INCLUDING LOST PROFITS OR REVENUE, HOWEVER CAUSED, WHETHER FOR BREACH OR REPUDIATION OF CONTRACT, TORT, BREACH OF WARRANTY, NEGLIGENCE, OR OTHERWISE, WHETHER OR NOT COMPANY WAS ADVISED OF THE POSSIBILITY OF SUCH LOSS OR DAMAGES.

Some states do not allow exclusion or limitation, so this may not apply to you. This warranty gives you specific legal rights, and you may have other rights which vary from state to state.

EXCLUSIONS TO THE WARRANTY

The Limited Warranty excludes, and Bestop is not liable in any way for any warranty claims, damages, or defects related to:

- Misuse, abuse, accidents, vandalism, negligence, fire, or improper installation or modification, or improper or inadequate maintenance;
- Failure to comply with any Product documentation, Bestop instructions, or applicable law or regulations; use in extreme conditions
- Force Majeure including but not limited to, earthquake, hurricane, tornado, flooding, or other disasters natural or man-made, civil unrest, strikes, declared or undeclared war, or lack of performance by, or discontinued product of, supply chain partners whose products, software, operations or management is beyond the control of Bestop;
- Damage resulting in breakage (including without limitation, spontaneous breakage, accidental breakage or breakage by any other means) of a Product or any component part;
- Damage to vinyl windows due to misuse, or cracking due to varying weather conditions.

YOUR SOLE REMEDY

During the applicable warranty period, Bestop shall, at its option, either repair or replace any Product that it confirms, in its discretion, is non-compliant with the warranties herein. Bestop will not pay for labor charges associated with installation or removal of the Product. Should a specific Product be discontinued, Bestop may, at its option, replace the discontinued Product with a current product or like product.

Please retain your proof of purchase. Original proof of purchase for the Product must accompany any warranty claim. If you have a warranty claim, first you must email Bestop Customer Service at csbestop@bestop.com for instructions. All claims must be emailed to csbestop@bestop.com within 30 days of discovery of a defective Product, but in no event later than thirty days after the end of the applicable Warranty Period (the "Warranty Notice Period"). Warranty claims made after the Warranty Notice Period are null and void and Bestop shall have no responsibility with respect to such claims.

THIS SECTION SETS FORTH BESTOP'S SOLE OBLIGATION & YOUR SOLE REMEDY WITH RESPECT TO ANY DEFECTS OR OTHER PRODUCT ISSUE. ANY PRODUCTS REPLACED UNDER TERMS OF THIS WARRANTY WILL BE COVERED UNDER TERMS & BALANCE OF THE DURATION OF THE ORIGINAL LIMITED WARRANTY FOR SUCH PRODUCT.



Warranty Information Seat Covers, Front Kit

Part Number 29294

COVERED PRODUCTS AND WARRANTY PERIODS: The warranty time periods are as follows for Products manufactured by Bestop:

BESTOP® LIMITED LIFETIME WARRANTY

Trektop® Pro Twill Fabric Top Sunrider® for Hardtop Twill Fabric Top
Trektop® NX Glide Twill Fabric Top Replace-a-Top™ Twill Fabric Top
Trektop® NX Twill Fabric Top Supertop® NX Twill Fabric Top
EZFold™ Soft Tonneaus Floor & Cargo Liners
ZipRail™ Soft Tonneaus Pet Barriers
EZRoll™ Soft Tonneaus

BESTOP® 5-YEAR LIMITED WARRANTY

Trektop® NX Glide™ Top (non-Twill) Sunrider® for Hardtop (non-Twill) Replace-a-Top™ Top (non-Twill) Trektop® NX Top (non-Twill)
Sailcloth Replace-a-Top™ Supertop® NX Top (non-Twill)
Tigertop™ and Halftop™ Supertop® Classic Soft Top Sunrider® Complete Soft Top Supertop® for Truck
EZ Fold Hard Tonneau

BESTOP® 3-YEAR/100K MILES LIMITED WARRANTY

Powerboard® & Powerboard® NX
Trekstep®, Side Mount
Trekstep®, Rear Mount

BESTOP® 3-YEAR LIMITED WARRANTY

Pavement Ends Sprint Top

BESTOP® 2-YEAR LIMITED WARRANTY

Trektop® Classic Soft Top
RoughRider™ Soft Storage

BESTOP® 1-YEAR LIMITED WARRANTY

All other Bestop® & Pavement Ends™ products not specified above.

For further information or request for warranty work, please contact:

Bestop Inc. Customer Service
Toll-Free: (800)845-3567
E-mail: csbestop@Bestop.com
Website: www.Bestop.com