



Installation Instructions Sunrider for Hardtop

Vehicle Application:
Jeep® Wrangler JL 2 Door and 4 Door 2018-current
Jeep® Gladiator 2020-current
Part Number 52454

Installation Tips

Before you begin installing your new Sunrider for Hardtop, please read all the instructions thoroughly, and watch the Bestop Installation video. (See Support section on this page).



WARNING Do not rely in any way on the components of this product to protect against injury or death in the event of an accident. Never operate the vehicle in excess of manufacturer's specifications.

Read and follow, precisely, all installation instructions provided when installing this product. Failure to do so may result in a poor fit and could place occupants of the vehicle in a potentially dangerous situation.



CAUTION Safety glasses should be worn at all times when installing this product.

WEAR SEAT BELTS AT ALL TIMES

Tools		Installation Time	Support
 Safety Glasses	 T40 Torx Driver	 30 minutes	We're here to help! Go to: https://www.bestop.com and click on Need Help?
 Torque Wrench	 Slotted Screw Driver	Skill Level 1 - Easy	
		 https://www.bestop.com/video-library	



Installation Instructions Sunrider for Hardtop

Vehicle Application:
Jeep® Wrangler JL 2 Door and 4 Door 2018-current
Jeep® Gladiator 2020-current
Part Number 52454

Sugerencias de Instalación

Antes de empezar a instalar esta unidad, lea atentamente todas las instrucciones.

Para un buen ajuste:

Para facilitar la instalación, el producto debe instalarse a temperaturas superiores a 72 °F (22 °C).

Por debajo de esta temperatura, la tela puede encogerse una pulgada o más, lo que dificultaría su ajuste al vehículo.

Es normal que la tela se contraiga o arrugue cuando está guardada en la caja de empaque. A los pocos días después de la instalación, la tela se relajará y las arrugas desaparecerán.



ADVERTENCIA

Este producto se diseñó principalmente para mejorar la apariencia del vehículo y proteger a los ocupantes de las condiciones climáticas comunes. De ninguna manera piense que los componentes de este producto pueden servir como medio de contención para los ocupantes del vehículo o que pueden protegerlos contra lesiones o la muerte en caso de accidente. Este producto no protegerá a los ocupantes contra caídas de objetos. Nunca conduzca este vehículo fuera de las especificaciones del fabricante.

USE LOS CINTURONES DE SEGURIDAD EN TODO MOMENTO

Lea y siga con precisión todas las instrucciones de instalación que se proporcionan para instalar este producto. Si no lo hace, podría producirse un mal ajuste que colocaría a los ocupantes del vehículo en una situación potencialmente peligrosa.



PRECAUCIÓN

Debe usar gafas protectoras en todo momento durante la instalación de este producto.

Conseils pour l'installation

Lire toutes les instructions au complet avant de commencer l'installation de cet assemblage.

Pour un ajustement sans problème :

Afin de faciliter l'installation, ce produit doit être installé à des températures au-dessus de 72 °F (22 °C).

Sous cette température, le tissu peut rétrécir d'un pouce (2,5 cm) ou plus, ce qui rendra l'ajustement sur le véhicule difficile.

Il est normal que le tissu rétrécisse et plisse pendant qu'il est dans la boîte d'expédition. En quelques jours après l'installation, le tissu se détendra et les plis disparaîtront.



AVERTISSEMENT

Ce produit est conçu principalement pour améliorer l'apparence du véhicule et pour protéger les occupants des conditions météorologiques usuelles. Ne jamais se fier aux composants de ce produit pour se protéger de blessures ou de la mort en cas d'accident. Ce produit ne protégera pas les occupants des chutes d'objets. Ne jamais utiliser le véhicule au-delà des caractéristiques techniques indiquées par le fabricant.

PORTER UNE CEINTURE DE SÉCURITÉ EN TOUT TEMPS

Lire et suivre, très fidèlement, toutes les instructions d'installation fournies lors de l'installation de ce produit. Ne pas suivre cette consigne peut causer une installation inadéquate et mettre les occupants du véhicule dans une situation potentiellement dangereuse.



MISE EN GARDE

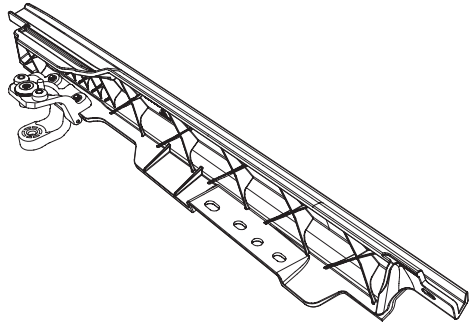
Des lunettes de sécurité doivent être portées en tout temps lors de l'installation de ce produit.



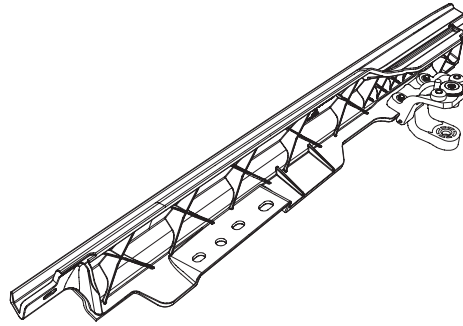
Installation Instructions Sunrider for Hardtop

Vehicle Application:
Jeep® Wrangler JL 2 Door and 4 Door 2018-current
Jeep® Gladiator 2020-current
Part Number 52454

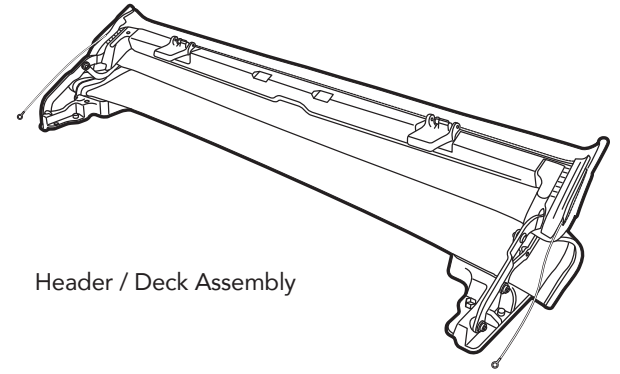
Parts List



Door Rail - Passenger Side
Part #577.20
Qty. 1



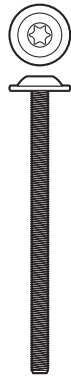
Door Rail - Driver Side
Part #577.21
Qty. 1



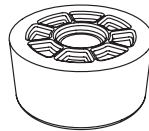
Header / Deck Assembly



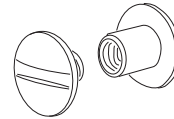
Flanged Button-Head
Screw M8x20
Part #573.09
Qty. 6



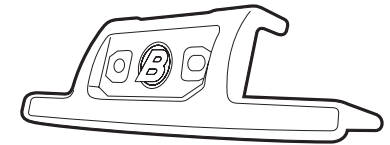
Flanged Button-Head
Screw M8x80
Part #532.23
Qty. 4



Bolt Spacer Bezel
Part #574.05
Qty. 2



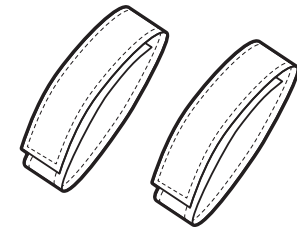
Screw, Binding Barrel
Part #599.01
Qty. 2



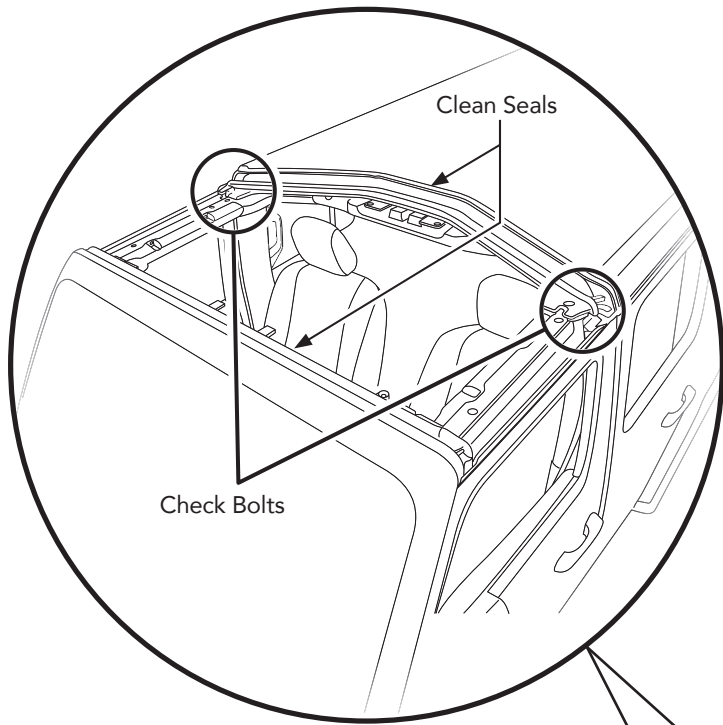
Rear Clamp
Part #573.01
Qty. 1



Loctite Capsule
Part #309.83
Qty. 1



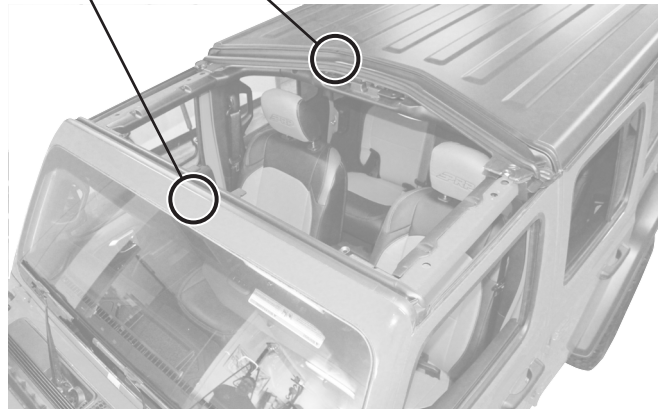
Sunrider Tie-Down Straps
Part #410.42
Qty. 2

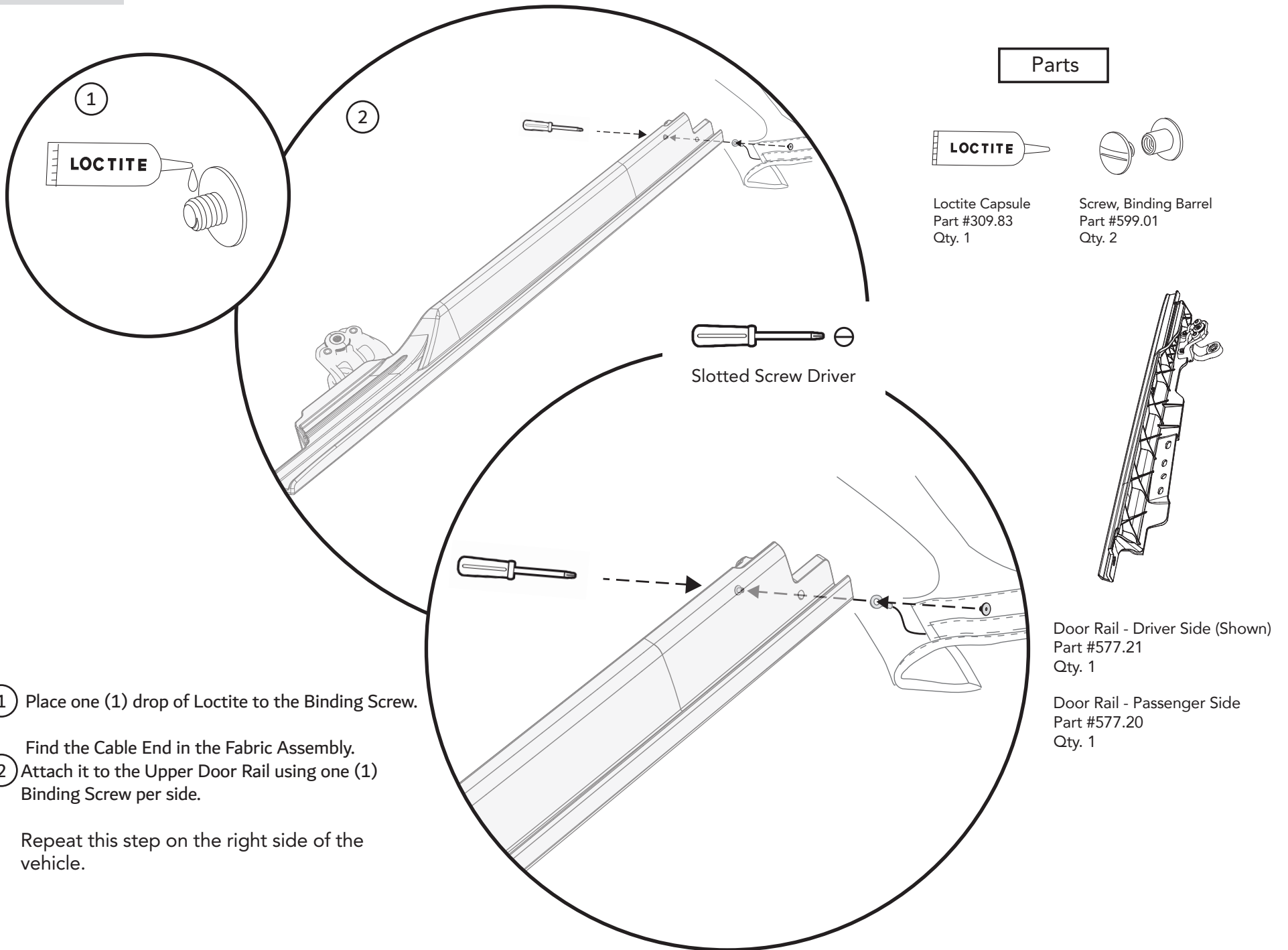


Remove both Hard Top Freedom Panels, according to the instructions in your owner's manual, and confirm that all Hard Top bolts are installed and tight.

Clean the windshield and hardtop seals with soap, warm water and a soft cloth.

Rinse thoroughly with clean water to remove all soap residue, and dry the seals before installing the Sunrider for Hardtop.





1 Place one (1) drop of Loctite to the Binding Screw.

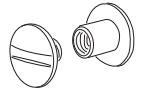
2 Find the Cable End in the Fabric Assembly.
2 Attach it to the Upper Door Rail using one (1) Binding Screw per side.

Repeat this step on the right side of the vehicle.

Parts



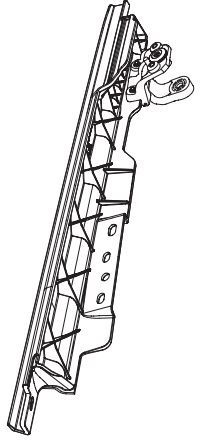
Loctite Capsule
Part #309.83
Qty. 1



Screw, Binding Barrel
Part #599.01
Qty. 2



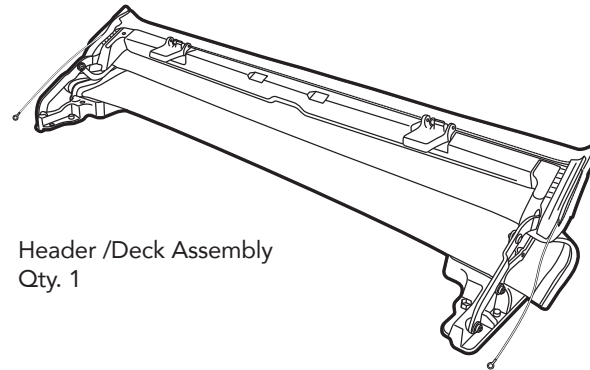
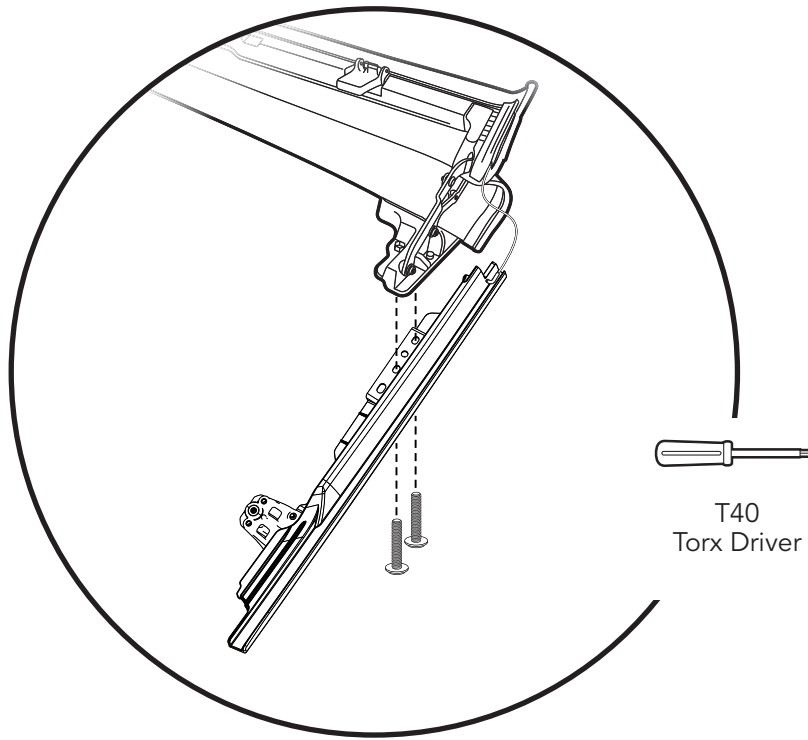
Slotted Screw Driver



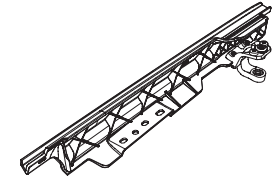
Door Rail - Driver Side (Shown)
Part #577.21
Qty. 1

Door Rail - Passenger Side
Part #577.20
Qty. 1

Parts



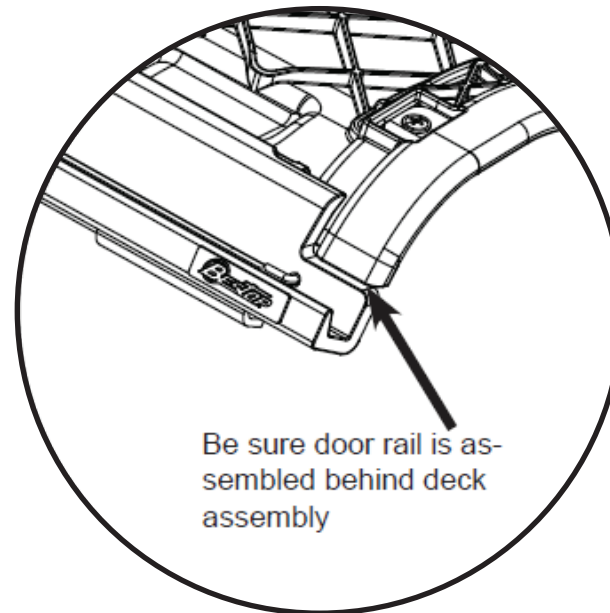
Header /Deck Assembly
Qty. 1



Door Rails
Part #577.20 - Right
Part #577.21 - Left
Qty. 1 of each



Flanged Button-Head
Screw
Part #573.09
Qty. 2



Be sure door rail is as-
sembled behind deck
assembly

Attach the Door Rails to the Deck, using two (2) Flanged Button-Head Screws per side.

The screws go up into the Door Rails and the Deck from underneath, and screw into the threaded inserts installed in the Deck.

NOTE: Be sure when lining up door rails to deck assembly that the deck assembly sits inside the door rail.

(See Detail)

Note: When storing the Sunrider, It is recommended to leave the door rails and Deck assembled to each other.

Parts



Flanged Button-Head Screw M8x80
Part #532.23
Qty. 2



Bolt Spacer Bezel
Part #574.05
Qty. 2

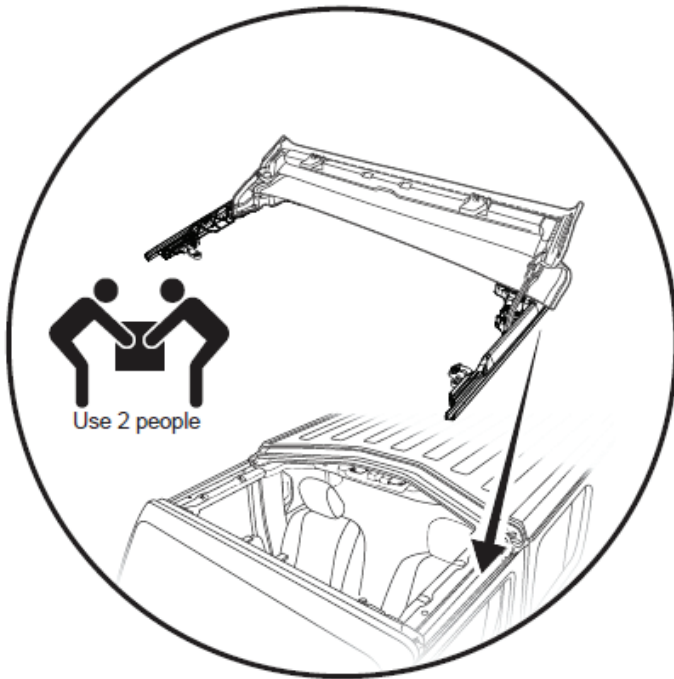


T40
Torx Driver

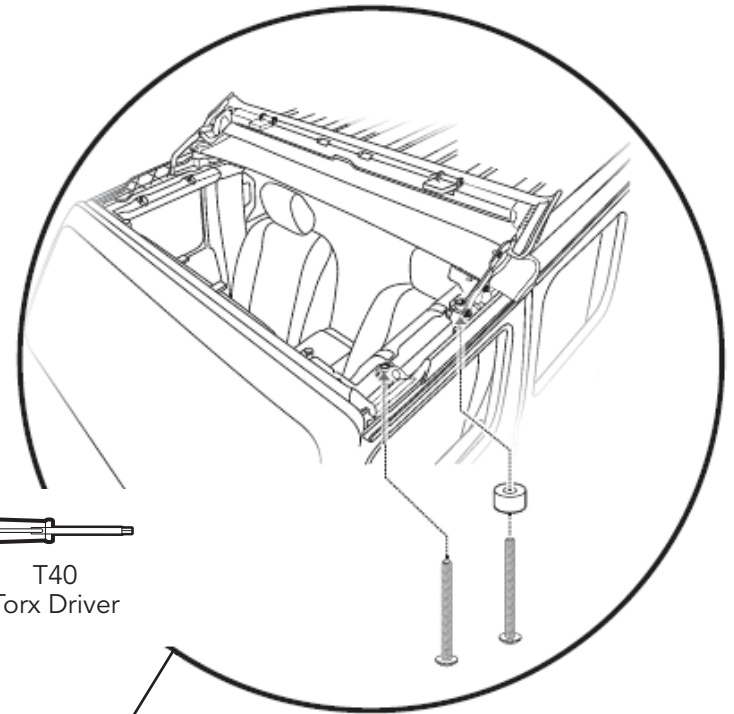
Tools



Torque Wrench



With 2 people, lift the Deck and Door Rail Assembly with cables attached onto the top of the Jeep.



Align the holes in Door Rails with the holes in the Jeep Sport Bar.

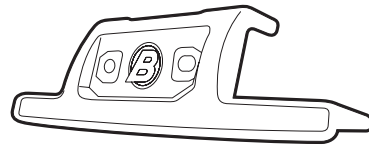
Attach the Door Rails (and Deck Assembly) with two (2) Flanged Button-Head Screws. One at the front of each Door Rail, and one with the Bolt Spacer Bezel at the rear of the door. Tighten to 55 in/lb (4.5 ft/lb).

The Screw at the front of the Door Rail will screw into a threaded insert in the front clamp from underneath.

Note: To prevent over torquing, Use a Screwdriver type Torx driver if a torque wrench is not available.



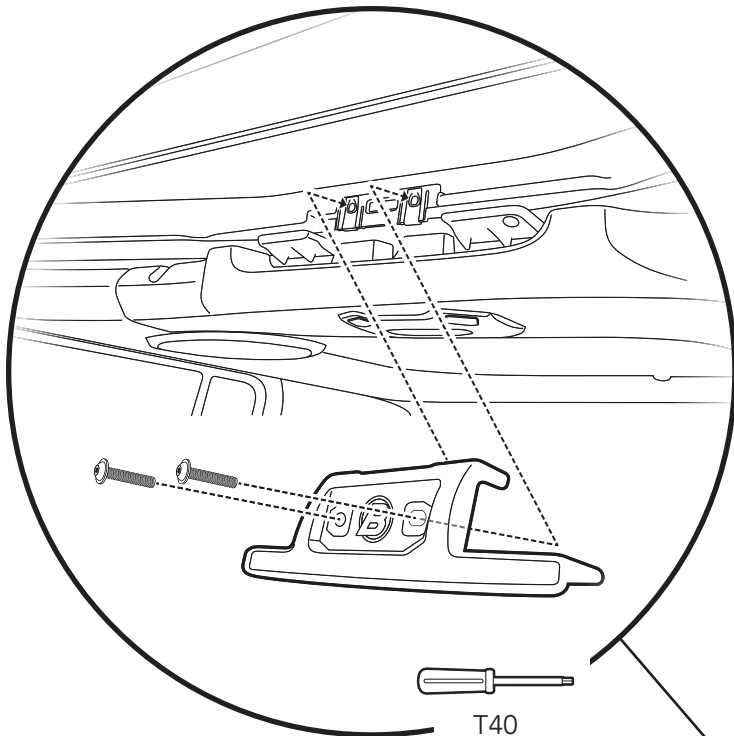
Parts



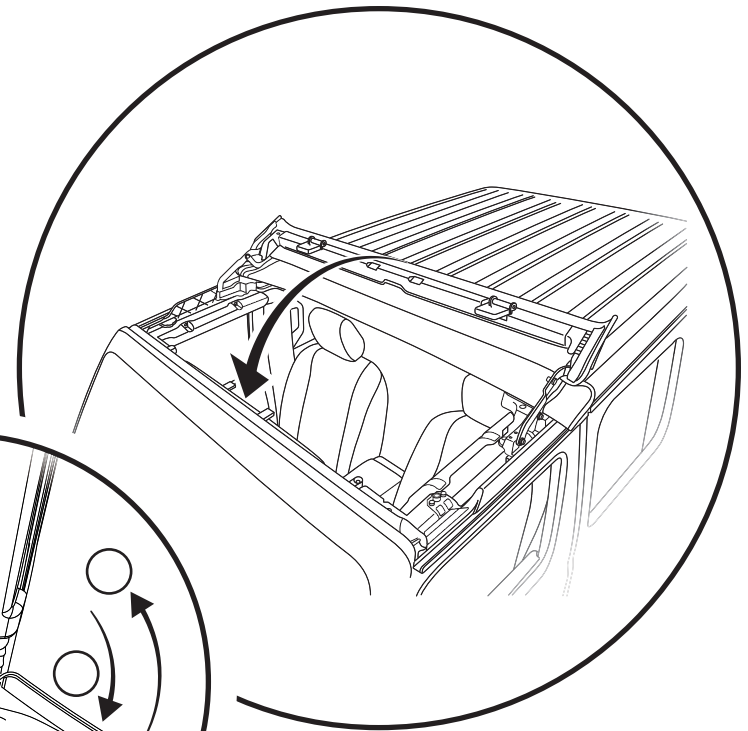
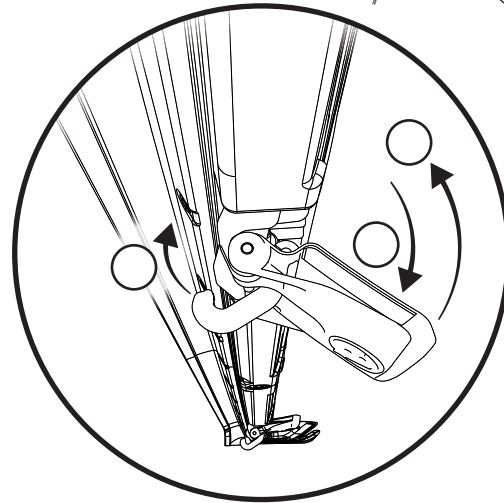
Rear Clamp
Part #573.01
Qty. 1



Flanged Button-Head
Screw
Part #573.09
Qty. 2



T40
Torx Driver

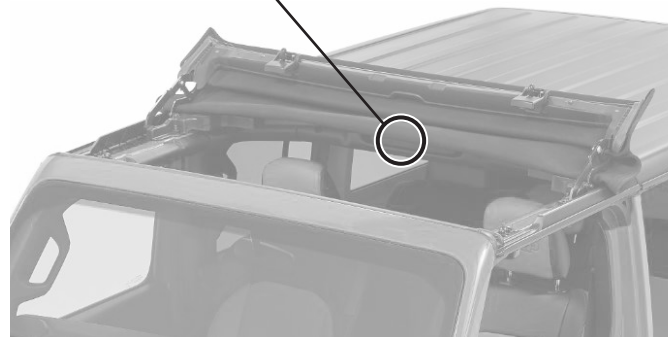


Attach the Rear Clamp to the deck using two (2) Flanged Button-Head Screws.

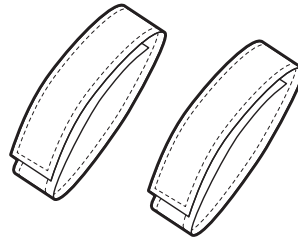
Push down on the Deck while installing the Screws to align the holes in the Rear Clamp and the holes in the Deck.

Fold the Sunrider closed and secure both latches to the vehicle's windshield header.

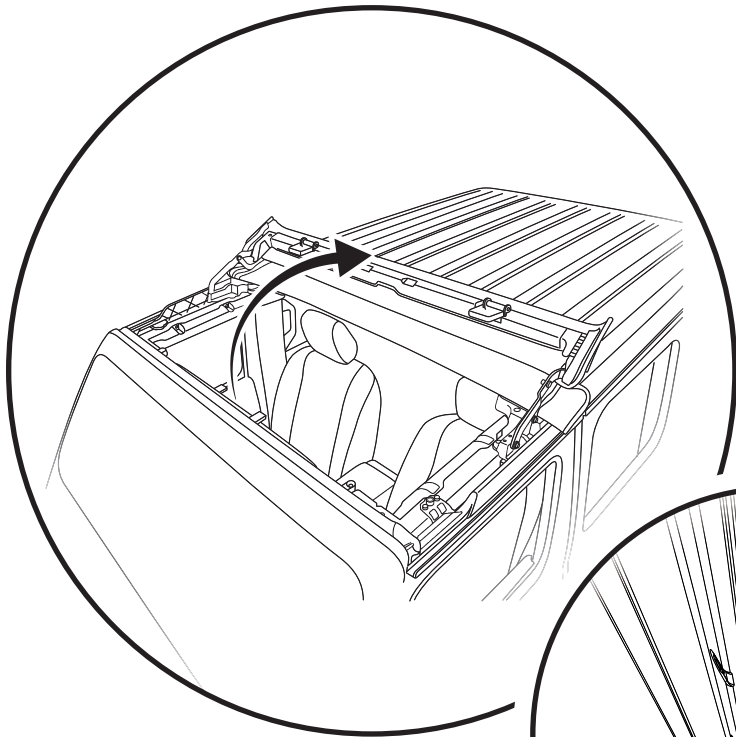
- ① Pivot the latch handle down;
- ② Engage the hook;
- ③ Pivot the latch handle back up.



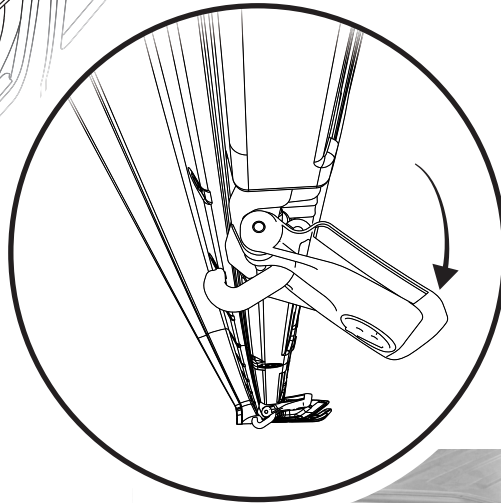
Parts



Sunrider Tie-Down Straps
Part #410.42
Qty. 2



Open both latches inside the Jeep, and fold the Sunrider back.



Secure the Sunrider with the Tie Down Straps.

Wrap each strap around both arms once and around the upper arm once, and secure the hook-and-loop strap.

Secure both sides of the Sunrider.

NOTICE

This step is **OPTIONAL** and only recommended when driving off-road or in a situation where the Top Deck Assembly could shift.





Care and Maintenance of your Bestop Product

Your Bestop product is made of the finest materials available. To keep it looking new and for the maximum possible wear, it will need periodic cleaning and maintenance.

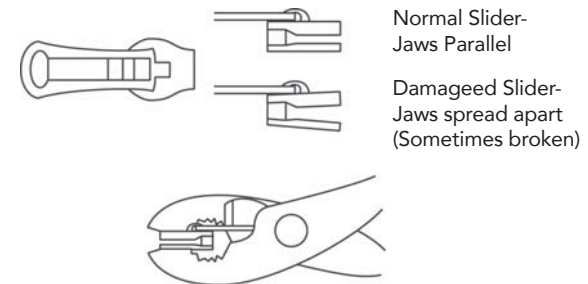
Fabric: The fabric should be washed often using soap, warm water and a soft bristle brush. Rinse with clear water to remove all traces of soap. Bestop recommends using Bestop Cleaner (part no. 11201-00) and Bestop Protectant (part no. 11202-00) for Vinyl fabric and Bestop Twill Protectant (part no. 11207-00) for Twill fabric. Bestop Cleaner and Bestop protectant are specially formulated to provide a total cleaning and protection system. Bestop Cleaner safely removes the toughest stains, will not harm vehicle finishes, is biodegradable and environmentally friendly. Bestop Protectant protects against UV-fading, cracking and hardening, and repels dust, grease, dirt and mildew.

Windows: Keep windows clean to avoid scratching. **DO NOT** use a brush on the windows! Wash with a water-soaked cloth or sponge and a mild dishwashing detergent. Bestop recommends Bestop Vinyl Window Cleaner (part no. 11203-00), which safely cleans and protects vinyl windows and helps prevent UV damage. **NEVER WIPE THE WINDOWS WHEN THEY ARE DRY.** Be careful when cleaning snow or frost from the vinyl windows since they are easily scratched and may crack at low temperatures. **DO NOT** roll the sides or rear window in cold weather. The windows become stiff and will crack. Cracks caused by misuse in cold temperatures are not covered under warranty.

Water: Seeping through at the seams may be stopped by applying 3-M Scotchgard® on the inside of the seams.

Snaps: Keep snaps cleaned and lubricated with silicone to help prevent snaps from sticking to the studs. If a snap does become stuck to a stud, use a screwdriver and **GENTLY** pry apart to prevent permanent damage to the snap or the top fabric.

Zippers: Keeping zippers cleaned and lubricated with Bestop's Zipper Cleaner (part no. 11206-00) will help prevent damage and keep the zippers in smooth working condition. If a zipper opens behind the slider, the slider may have been spread apart. This problem can usually be repaired by using an ordinary pair of pliers to bring the sides back into parallel. Return slider to the end of the zipper in the normal Open position. Squeeze lightly at first and test the zipper. If the zipper continues to remain open squeeze more firmly with the pliers and try the zipper again. Repeat this procedure until the zipper operates correctly.



For Bestop Warranty Information, Please go to;
<https://www.bestop.com/help/warranty-information/>

