



Installation Instructions Supertop JL 4 Door

Vehicle Application:
Jeep® Wrangler Unlimited JL 2018-Current
Part Number 54726

Installation Tips

Before you begin installing your new Supertop, please read all the instructions thoroughly.

For easier installation, the top should be installed at a temperature above 72° F. Below this temperature, the fabric may contract making it difficult to fit the vehicle.

WARNING Do not rely in any way on the components of this product to protect against injury or death in the event of an accident. Never operate the vehicle in excess of manufacturer's specifications. Read and follow, precisely, all installation instructions provided when installing this product. Failure to do so may result in a poor fit and could place occupants of the vehicle in a potentially dangerous situation.



CAUTION Safety glasses should be worn at all times when installing this product.

WEAR SEAT BELTS AT ALL TIMES

Tools			
Safety Glasses	T30 - T40 - T50 Torx Drivers	Slotted Screwdriver	#2 Phillips Screwdriver
3mm, 4mm and 5mm Allen Wrenches			
Torque Wrench	8mm - 13mm Wrenches	- OR - Socket Wrench	8mm - 13mm Sockets

Installation Time
4 hours
Skill Level
<div style="display: flex; justify-content: space-around; align-items: center;"> <div style="border: 1px solid gray; border-radius: 50%; width: 30px; height: 30px; display: flex; align-items: center; justify-content: center;">1</div> <div style="border: 1px solid gray; border-radius: 50%; width: 30px; height: 30px; display: flex; align-items: center; justify-content: center;">2</div> <div style="border: 2px solid gray; border-radius: 50%; width: 30px; height: 30px; display: flex; align-items: center; justify-content: center;">3</div> <div style="border: 1px solid gray; border-radius: 50%; width: 30px; height: 30px; display: flex; align-items: center; justify-content: center;">4</div> </div> <p>3 - Moderately Difficult</p>

Support
<p>We're here to help! Go to: https://www.bestop.com and click on Need Help?</p>
<p>https://www.bestop.com/video-library</p>



Installation Instructions Supertop JL 4 Door

Vehicle Application:
Jeep® Wrangler Unlimited JL 2018-Current
Part Number 54726

Sugerencias de Instalación

Antes de empezar a instalar esta unidad, lea atentamente todas las instrucciones.

Para un buen ajuste:

Para facilitar la instalación, el producto debe instalarse a temperaturas superiores a 72 °F (22 °C).

Por debajo de esta temperatura, la tela puede encogerse una pulgada o más, lo que dificultaría su ajuste al vehículo.

Es normal que la tela se contraiga o arrugue cuando está guardada en la caja de empaque. A los pocos días después de la instalación, la tela se relajará y las arrugas desaparecerán.



ADVERTENCIA

Este producto se diseñó principalmente para mejorar la apariencia del vehículo y proteger a los ocupantes de las condiciones climáticas comunes. De ninguna manera piense que los componentes de este producto pueden servir como medio de contención para los ocupantes del vehículo o que pueden protegerlos contra lesiones o la muerte en caso de accidente. Este producto no protegerá a los ocupantes contra caídas de objetos. Nunca conduzca este vehículo fuera de las especificaciones del fabricante.

USE LOS CINTURONES DE SEGURIDAD EN TODO MOMENTO

Lea y siga con precisión todas las instrucciones de instalación que se proporcionan para instalar este producto. Si no lo hace, podría producirse un mal ajuste que colocaría a los ocupantes del vehículo en una situación potencialmente peligrosa.



PRECAUCIÓN

Debe usar gafas protectoras en todo momento durante la instalación de este producto.

Conseils pour l'installation

Lire toutes les instructions au complet avant de commencer l'installation de cet assemblage.

Pour un ajustement sans problème :

Afin de faciliter l'installation, ce produit doit être installé à des températures au-dessus de 72 °F (22 °C).

Sous cette température, le tissu peut rétrécir d'un pouce (2,5 cm) ou plus, ce qui rendra l'ajustement sur le véhicule difficile.

Il est normal que le tissu rétrécisse et plisse pendant qu'il est dans la boîte d'expédition. En quelques jours après l'installation, le tissu se détendra et les plis disparaîtront.



AVERTISSEMENT

Ce produit est conçu principalement pour améliorer l'apparence du véhicule et pour protéger les occupants des conditions météorologiques usuelles. Ne jamais se fier aux composants de ce produit pour se protéger de blessures ou de la mort en cas d'accident. Ce produit ne protégera pas les occupants des chutes d'objets. Ne jamais utiliser le véhicule au-delà des caractéristiques techniques indiquées par le fabricant.

PORTER UNE CEINTURE DE SÉCURITÉ EN TOUT TEMPS

Lire et suivre, très fidèlement, toutes les instructions d'installation fournies lors de l'installation de ce produit. Ne pas suivre cette consigne peut causer une installation inadéquate et mettre les occupants du véhicule dans une situation potentiellement dangereuse.



MISE EN GARDE

Des lunettes de sécurité doivent être portées en tout temps lors de l'installation de ce produit.



Installation Instructions Supertop JL 4 Door

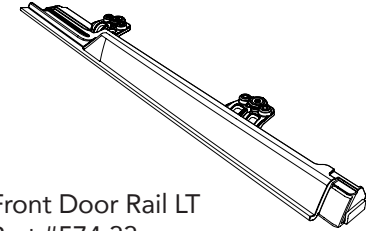
Vehicle Application:
Jeep® Wrangler Unlimited JL 2018-Current
Part Number 54726



Upper Rear Door Rail
Part #574.42 - Right
Qty. 1



Upper Rear Door Rail
Part #574.43 - Left
Qty. 1



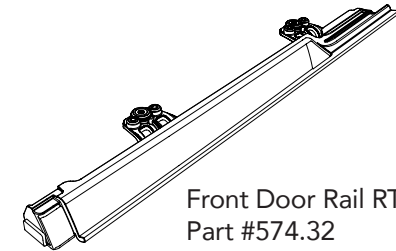
Front Door Rail LT
Part #574.33
Qty. 1



Lower Rear Door Rail
Part #574.46 - Right
Qty. 1

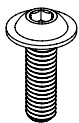


Lower Rear Door Rail
Part #574.47 - Left
Qty. 1

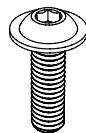


Front Door Rail RT
Part #574.32
Qty. 1

Parts Kit #574.62P



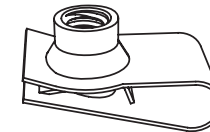
M6x20mm
Flanged Button Head
Cap Screw
#517.48
Qty. 4



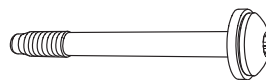
M8x1.25x20mm
Flanged Button Head
Cap Screw
#573.09
Qty. 2



M8 Flat Washer
#515.84
Qty. 2



M6 U-Clip
#537.49
Qty. 4

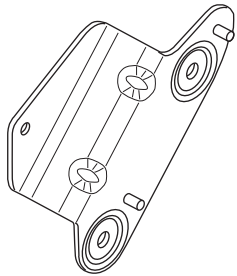


M8x1.25x80
Screw
#532.23
Qty. 8

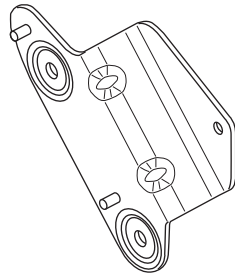


Installation Instructions Supertop JL 4 Door

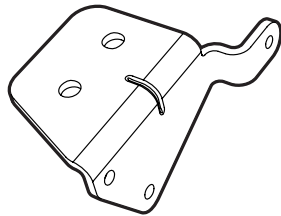
Vehicle Application:
Jeep® Wrangler Unlimited JL 2018-Current
Part Number 54726



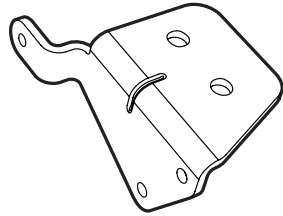
#6 Bow Support Bracket
Part #614.96



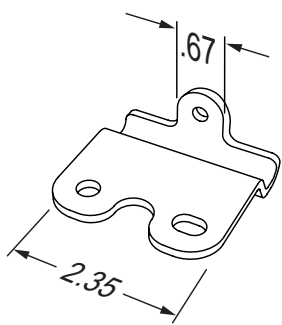
#6 Bow Support Bracket
Part #614.97 - Left
Qty. 1



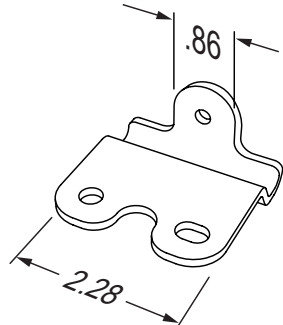
#4 Bow Bracket
Part #576.30 - Right
Qty. 1



#4 Bow Bracket
Part #576.31 - Left
Qty. 1



Side Bow Pivot Bracket
Part #579.96
Qty. 2



#2 Bow Pivot Bracket
Part #579.95
Qty. 2

Parts Kit #630.07P



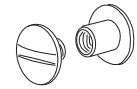
M8x1.25
Nylon Lock Nut
#434.12
Qty. 4



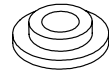
M5 Nylon Lock Nut
#526.76
Qty. 8



M8 Flat Washer
#515.84
Qty. 4



Screw, Binding
Barrel
Part #599.01
Qty. 2



Plastic Bushing
#473.40
Qty. 16



M5 Flat Washer
#565.90
Qty. 16



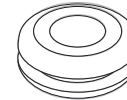
M6 Flat Washer
#515.81
Qty. 12



Loctite Capsule
Part #309.83
Qty. 1



SCREW, Pivot Knuckle
Part #308.65
Qty. 6



Grommet 7/16"
Part #543.75
Qty. 2



M8x1.25x28
Screw
#534.24
Qty. 4



SCREW, Sheet Metal
Part #393.79
Qty. 17



M8x1.25x20
Button Head
Socket Cap Screw
#431.59
Qty. 4



M6x1x14
Button Head
Socket Cap Screw
#517.63
Qty. 18



M8x1.25x38
Button Head
Socket Cap Screw
#532.17
Qty. 2

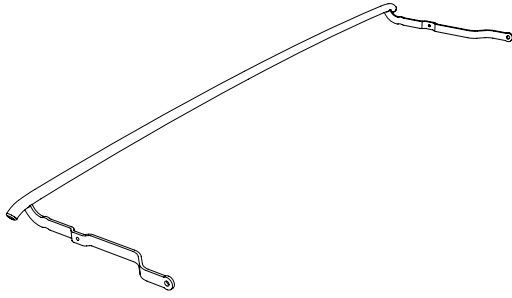


M5x0.8x25
Button Head
Socket Cap Screw
#579.60
Qty. 8

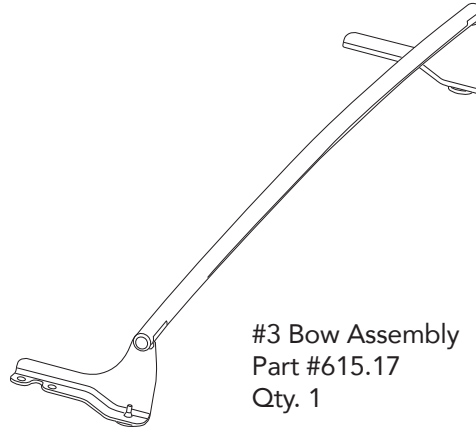


Installation Instructions Supertop JL 4 Door

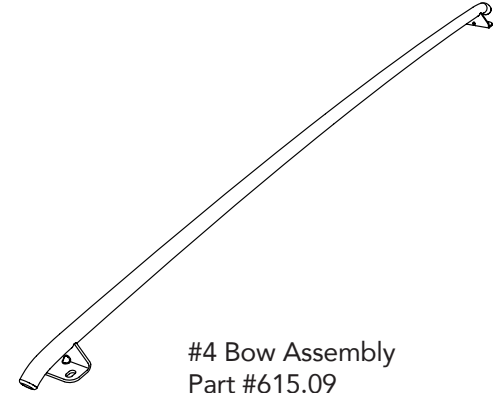
Vehicle Application:
Jeep® Wrangler Unlimited JL 2018-Current
Part Number 54726



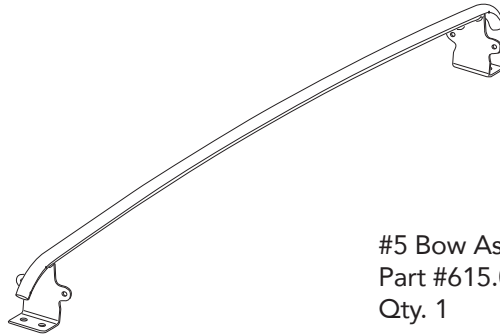
#2 Bow Assembly
Part #615.97
Qty. 1



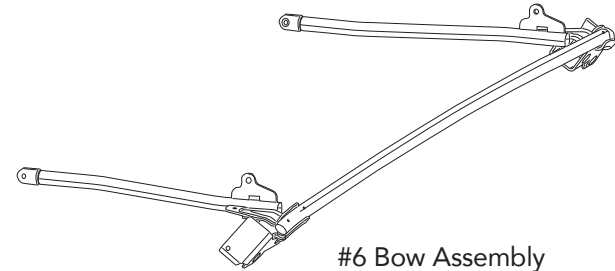
#3 Bow Assembly
Part #615.17
Qty. 1



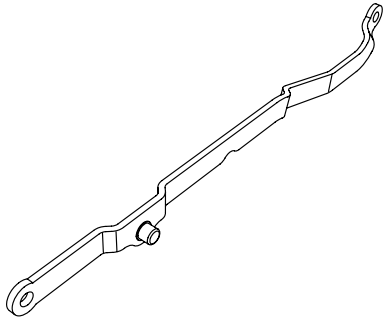
#4 Bow Assembly
Part #615.09
Qty. 1



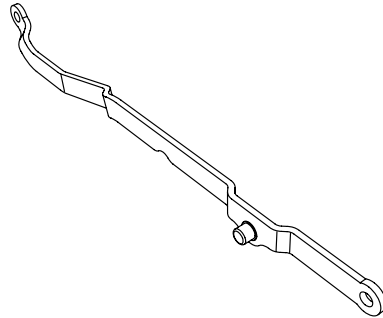
#5 Bow Assembly
Part #615.04
Qty. 1



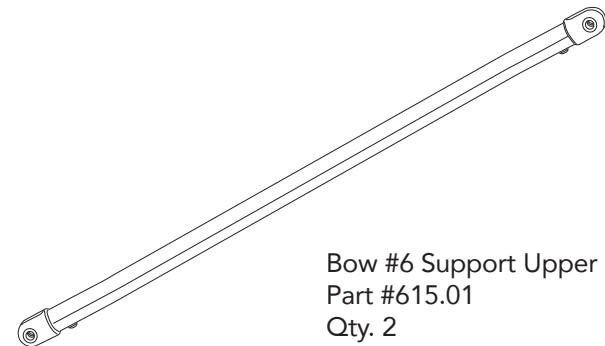
#6 Bow Assembly
Part #614.94
Qty. 1



#2 Bow Link Assembly
Part #576.15 - Left
Qty. 1



#2 Bow Link Assembly
Part #576.16 - Right
Qty. 1

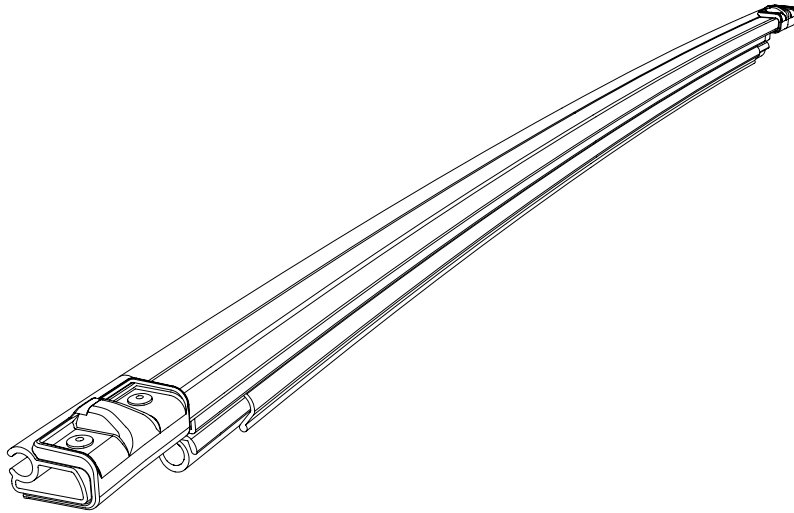


Bow #6 Support Upper
Part #615.01
Qty. 2

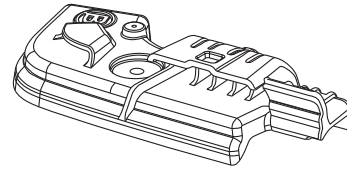


Installation Instructions Supertop JL 4 Door

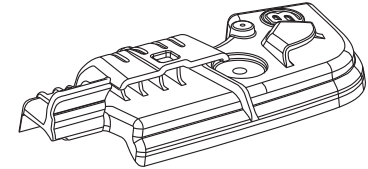
Vehicle Application:
Jeep® Wrangler Unlimited JL 2018-Current
Part Number 54726



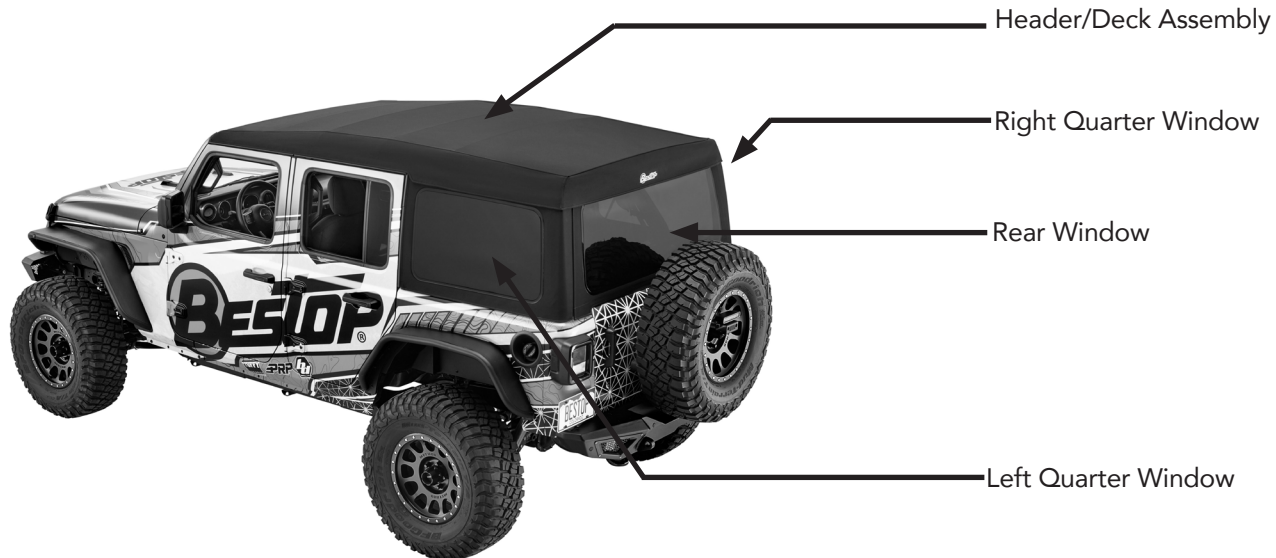
Tailgate Bar
Part #575.33
Qty. 1

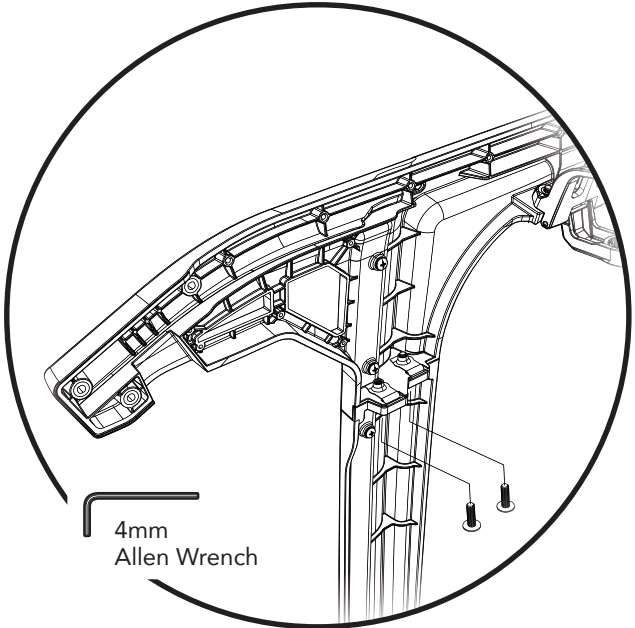
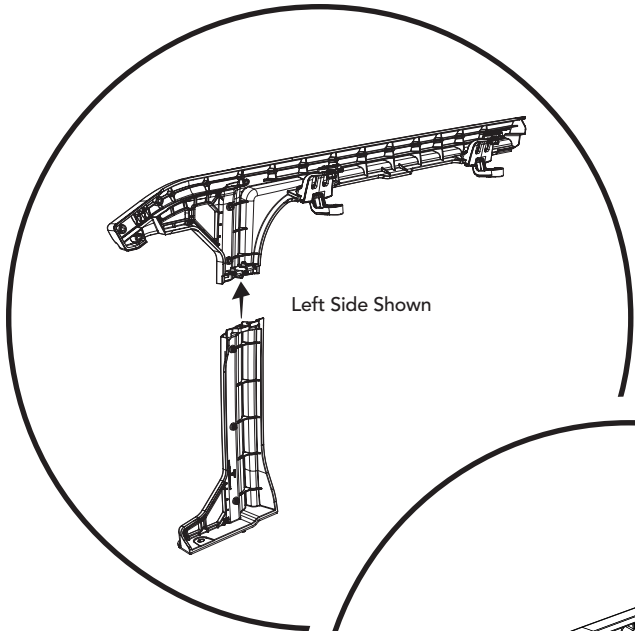
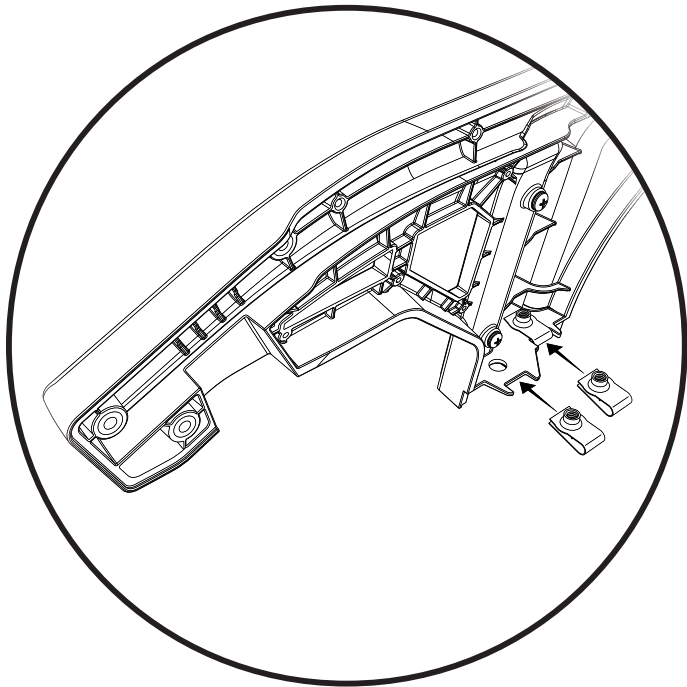


Tailgate Bar Retainer
Part #575.39 - Left
Qty. 1



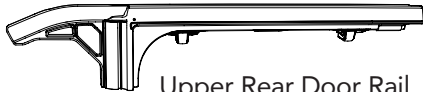
Tailgate Bar Retainer
Part #575.38 - Right
Qty. 1



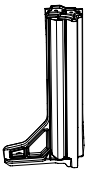


Attach the two (2) U-Clips to the Upper Rear Door Rails in the positions indicated. Make sure to have the threaded barrel of each U-Clip facing up.

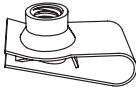
Parts



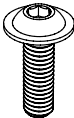
Upper Rear Door Rail
Part #574.42 - Right
Part #574.43 - Left
Qty. 1 of each



Lower Rear Door Rail
Part #574.46 - Right
Part #574.47 - Left
Qty. 1 of each



M6 U-Clip
#537.49
Qty. 4



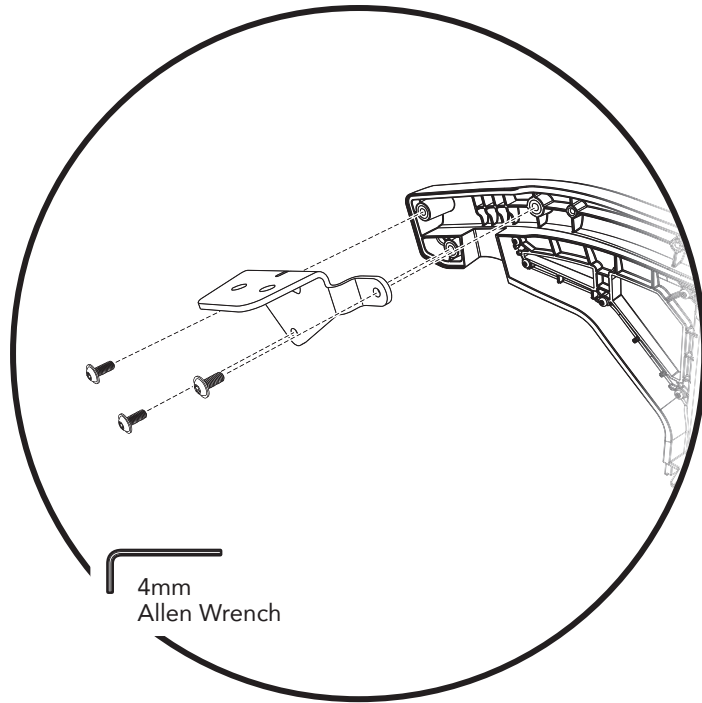
M6x20mm
Flanged Button Head
Cap Screw
#517.48
Qty. 4

Attach the Upper Rear Door Rail (Left) to the Lower Rear Door Rail (Left).

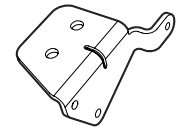
Use two (2) Flanged Button Head Cap Screws (can be found in Small Parts Kit #574.62).

Screws thread up from the bottom into the U-Clips.

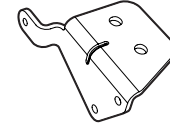
Repeat on Right Side Door Rails.



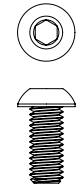
Parts



#4 Bow Bracket
Part #576.30 - Right
Qty. 1



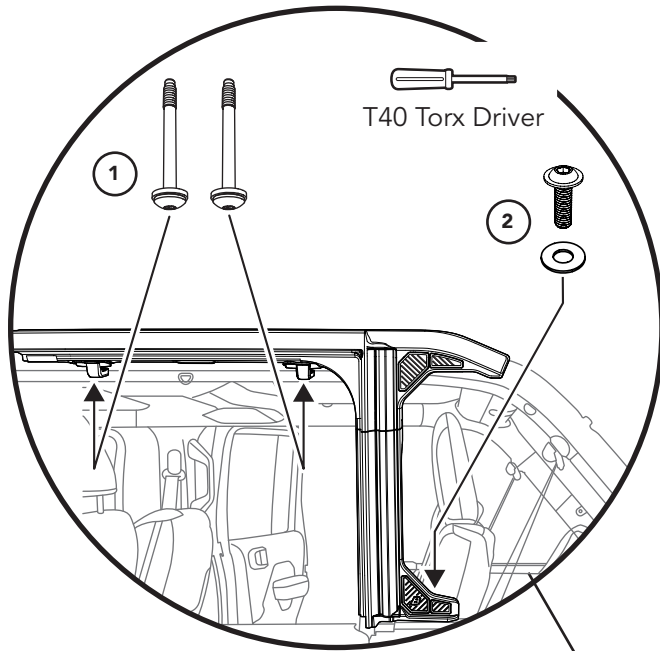
#4 Bow Bracket
Part #576.31 - Left
Qty. 1



M6x14
Button Head
Socket Cap Screw
#517.63
Qty. 6

Attach the #4 Bow Bracket Left to the Left Side Door Rail Assembly using three (3) M6 x1x14 Button Head Socket Cap Screws.

Repeat on the Right Side Rear Door Rail Assembly.



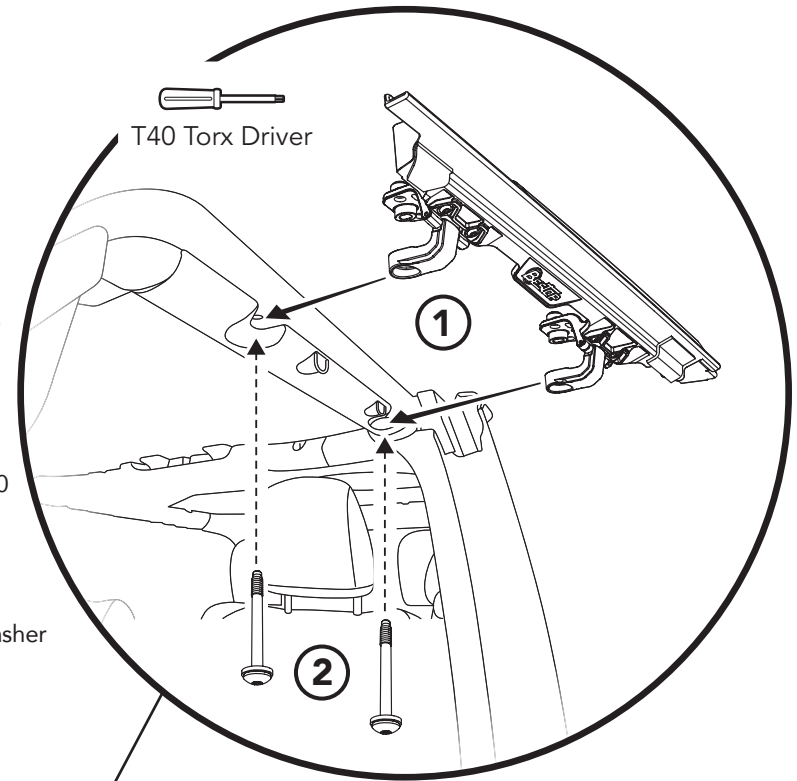
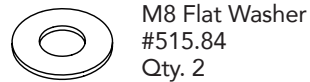
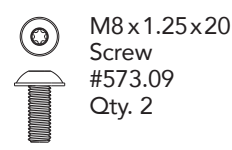
Attach the Rear Door Rail Assemblies to the Jeep. Place each Rear Door Rail Assembly onto the Jeep just behind the rear door.

Align the hole in the lower portion of the Assembly with the threaded hole in the Jeep belt rail, the alignment pin on the bottom of the Assembly with the receiving hole in the top of the belt rail, and the two integral brackets along the top of the Assembly with the through-holes in the Jeep Sport Bar.

① Insert two (2) M8x1.25x80 Screws up from the bottom of the integral brackets and tighten to 55 in/lb (4.5 ft/lb).

② Use one (1) M8x1.25x20 screw and one (1) M8 Flat Washer on each assembly to secure the Assembly to the vehicles belt rail.

Parts



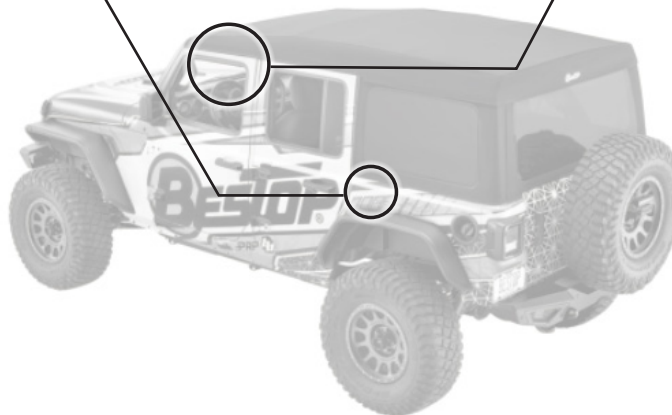
Attach the Front Door Rails to the Jeep.

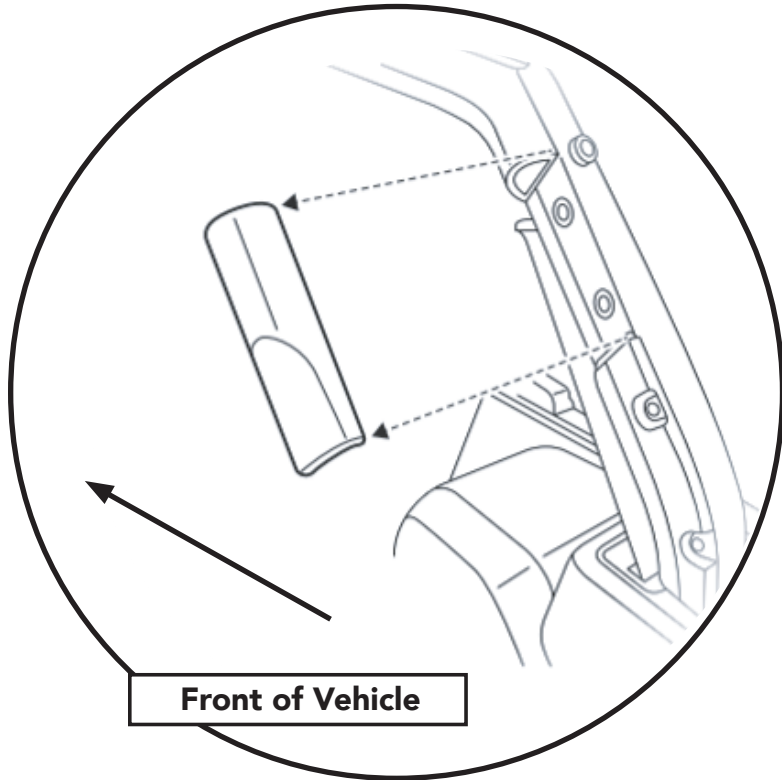
① Place each Front Door Rail on the Jeep, aligning the rail brackets with the through-holes in the Jeep sport bar.

② Secure each Front Door Rail to the sport bar using two (2) M8x1.25x80 Socket Cap Screws.

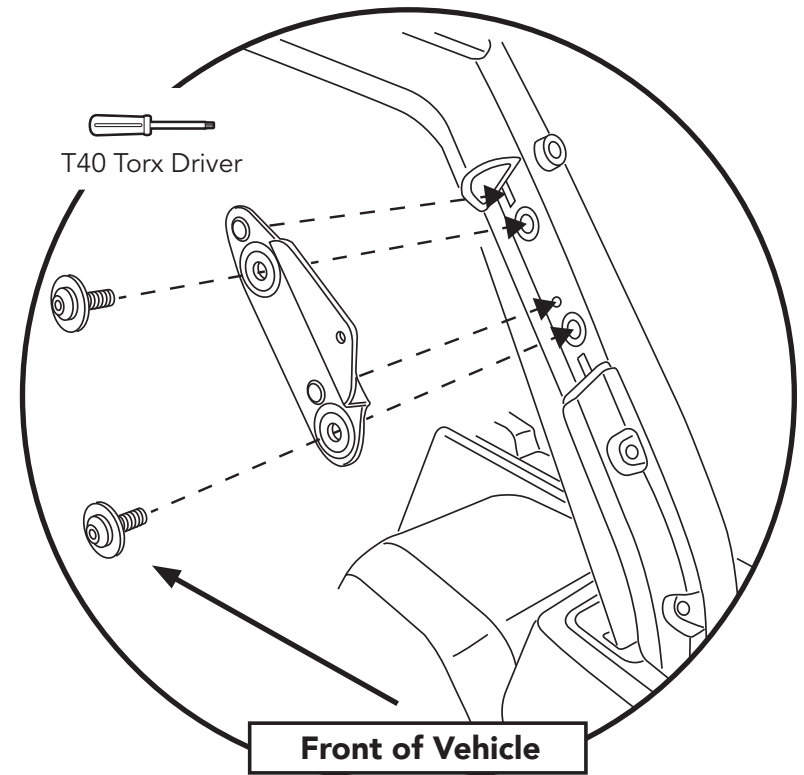
Insert the screws from the bottom and tighten to 55 in/lb (4.5 ft/lb)

Note: To prevent over torquing, Use a Screwdriver type Torx driver if a torque wrench is not available.



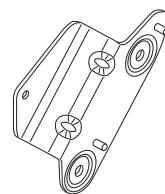


Snap off the trim panels on the rear down tubes of the sport bar.

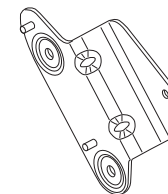


Attach the #6 Bow Support brackets to the sport bar down tubes. Place one pin in the small hole above the lower threaded insert in the sport bar and place the other pin in the slot above the upper threaded insert. Secure with two (2) M8 x 28 mm screws.

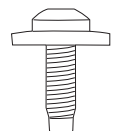
Parts



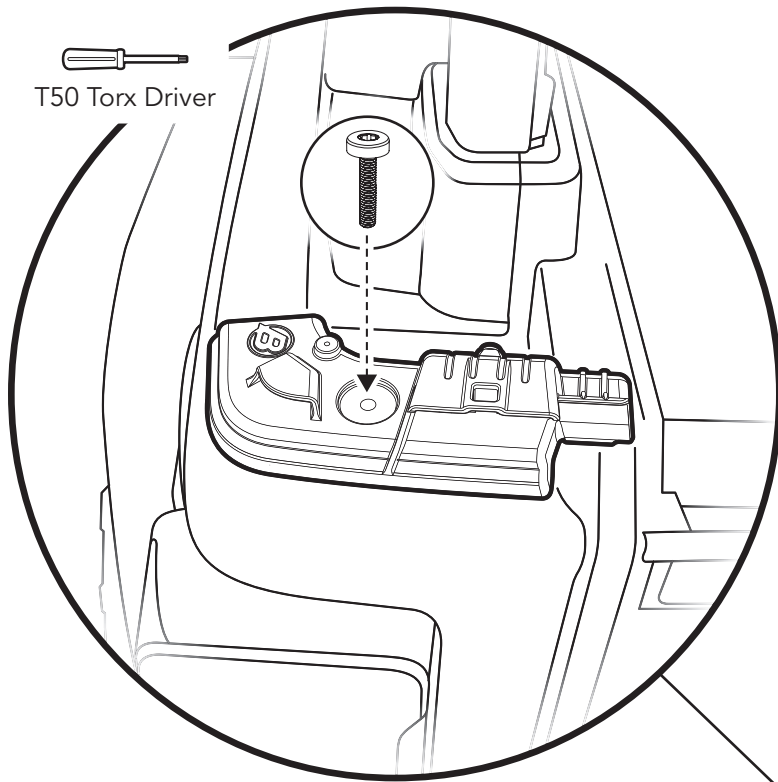
#6 Bow Support Bracket
Part #614.96 - Right
Qty. 1



#6 Bow Support Bracket
Part #614.97 - Left
Qty. 1

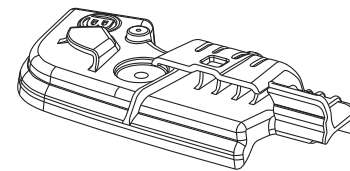


M8x1.25x28
Screw
#534.24
Qty. 4

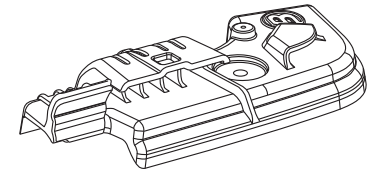


T50 Torx Driver

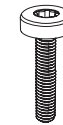
Parts



Tailgate Bar Retainer
Part #573.39 - Left
Qty. 1



Tailgate Bar Retainer
Part #575.38 - Right
Qty. 1

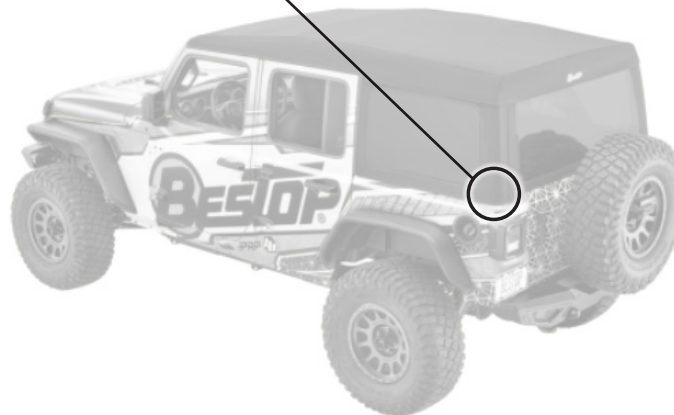


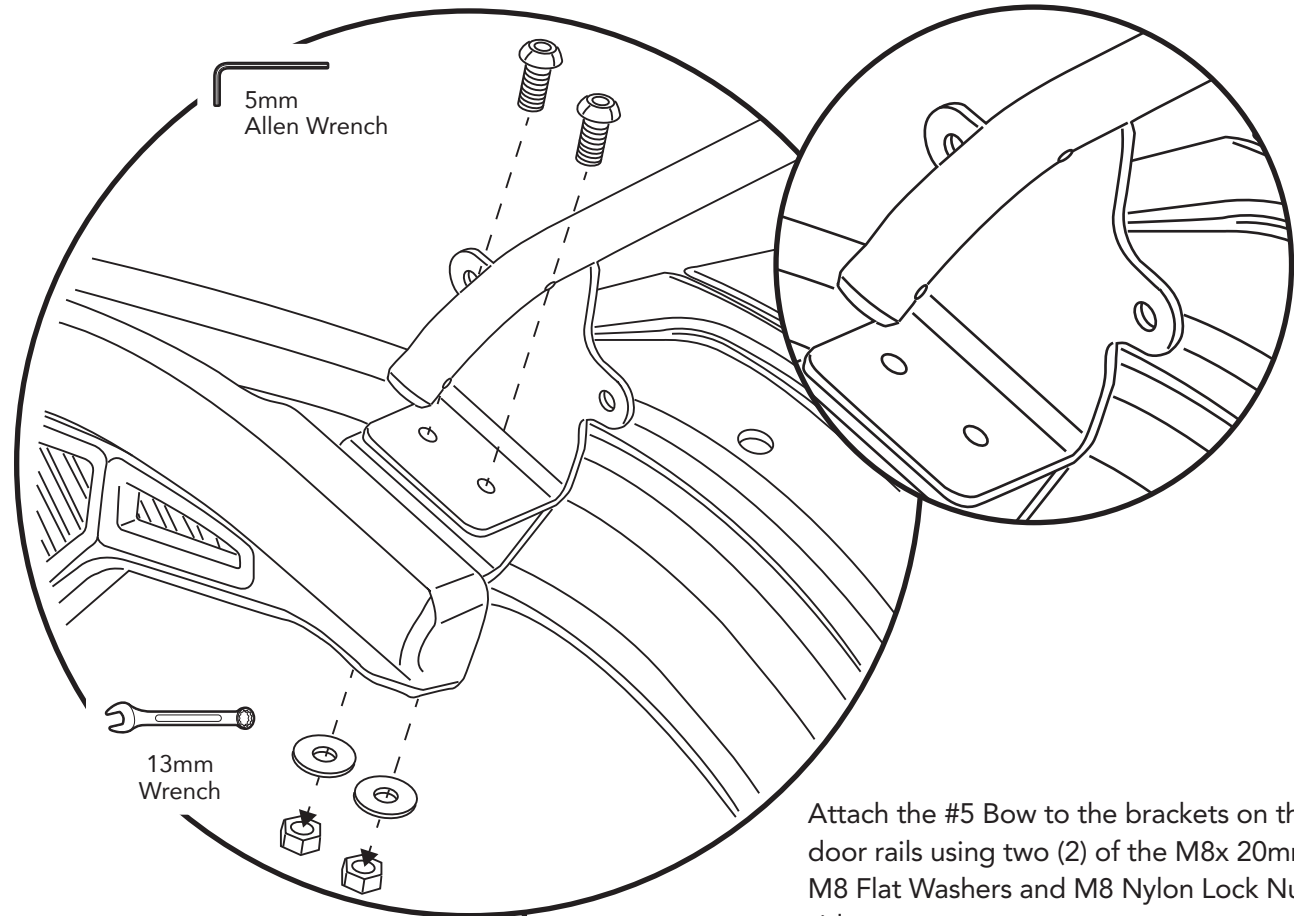
M8x1.25x38
Button Head
Socket Cap Screw
#532.17
Qty. 2

Attach the Tailgate Bar Retainer to the Jeep Belt Rail, using one (1) M8x1.25x38 Button Head Socket Cap Screw per retainer.

Insert the screws through the retainers, and into threaded holes in the top of the Jeep belt rail, and tighten.

Repeat on the right side of the vehicle.

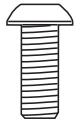




Parts



M8 Flat Washer
#515.84
Qty. 4



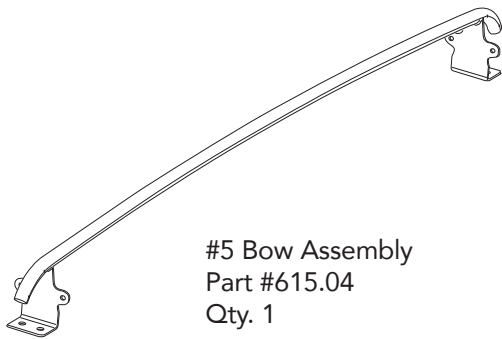
M8x1.25x20
Button Head
Socket Cap Screw
#431.59
Qty. 4



M8x1.25
Nylon Lock Nut
#434.12
Qty. 4

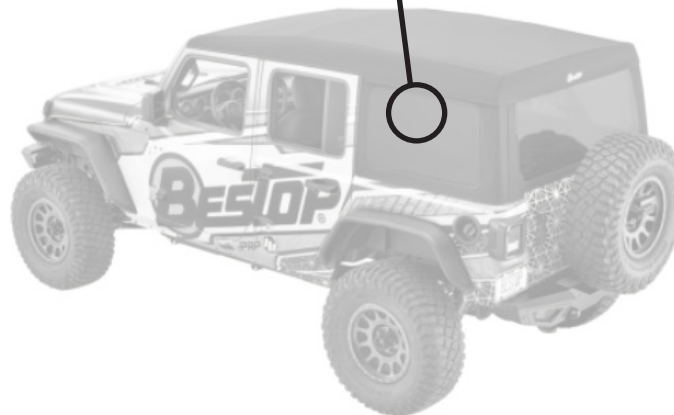


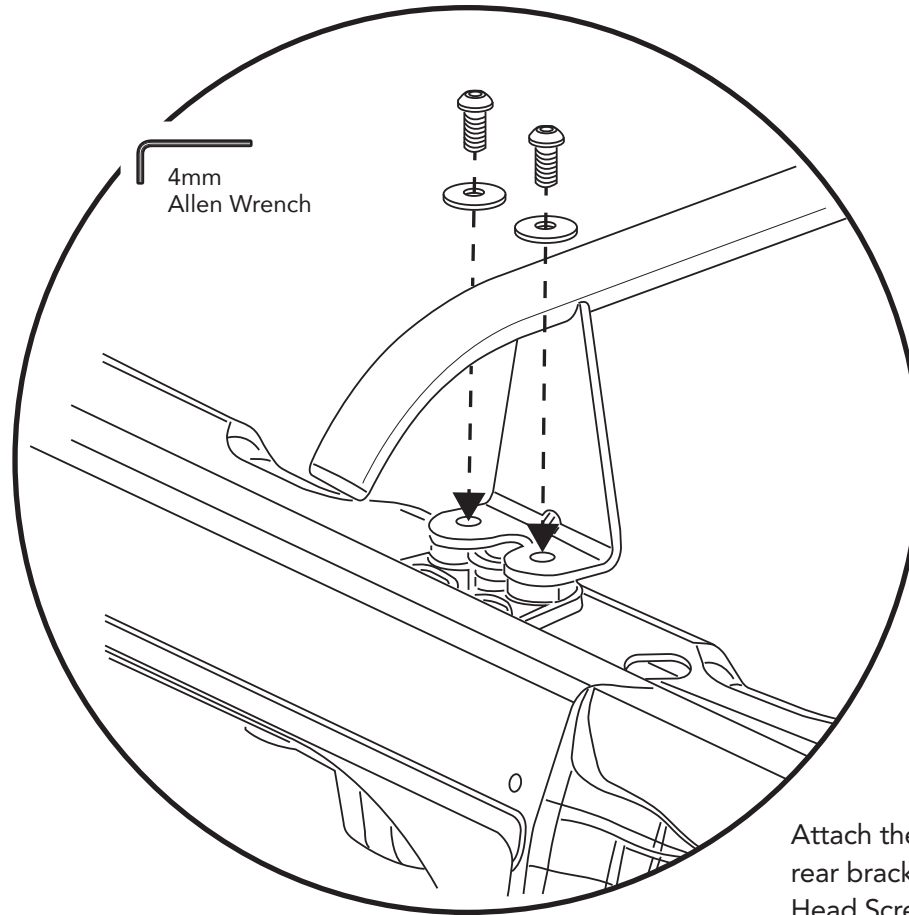
13mm
Wrench



#5 Bow Assembly
Part #615.04
Qty. 1

Attach the #5 Bow to the brackets on the rear door rails using two (2) of the M8x 20mm Screws, M8 Flat Washers and M8 Nylon Lock Nuts per side.



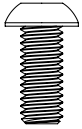


4mm
Allen Wrench

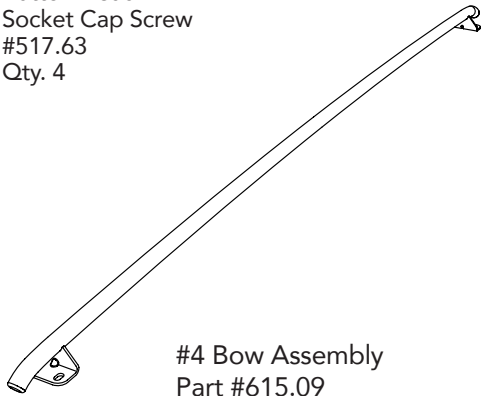
Parts



M6 Flat Washer
#515.81
Qty. 4

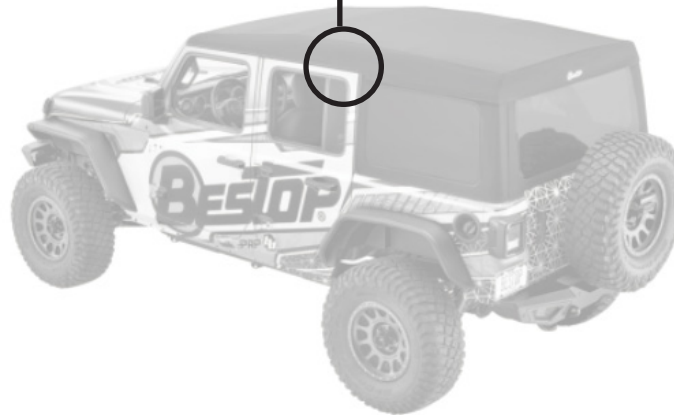


M6x14
Button Head
Socket Cap Screw
#517.63
Qty. 4

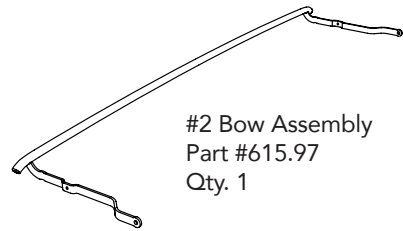


#4 Bow Assembly
Part #615.09
Qty. 1

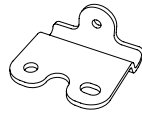
Attach the #4 Bow to the top of the rear door rails rear brackets using two (2) M6 x 14mm Button Head Screws and two (2) M6 Flat Washers on each side.



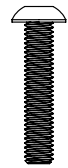
Parts



#2 Bow Assembly
Part #615.97
Qty. 1



#2 Bow Pivot Bracket
Part #579.95
Qty. 2



M5x0.8x25
Button Head
Socket Cap Screw
#579.60
Qty. 2



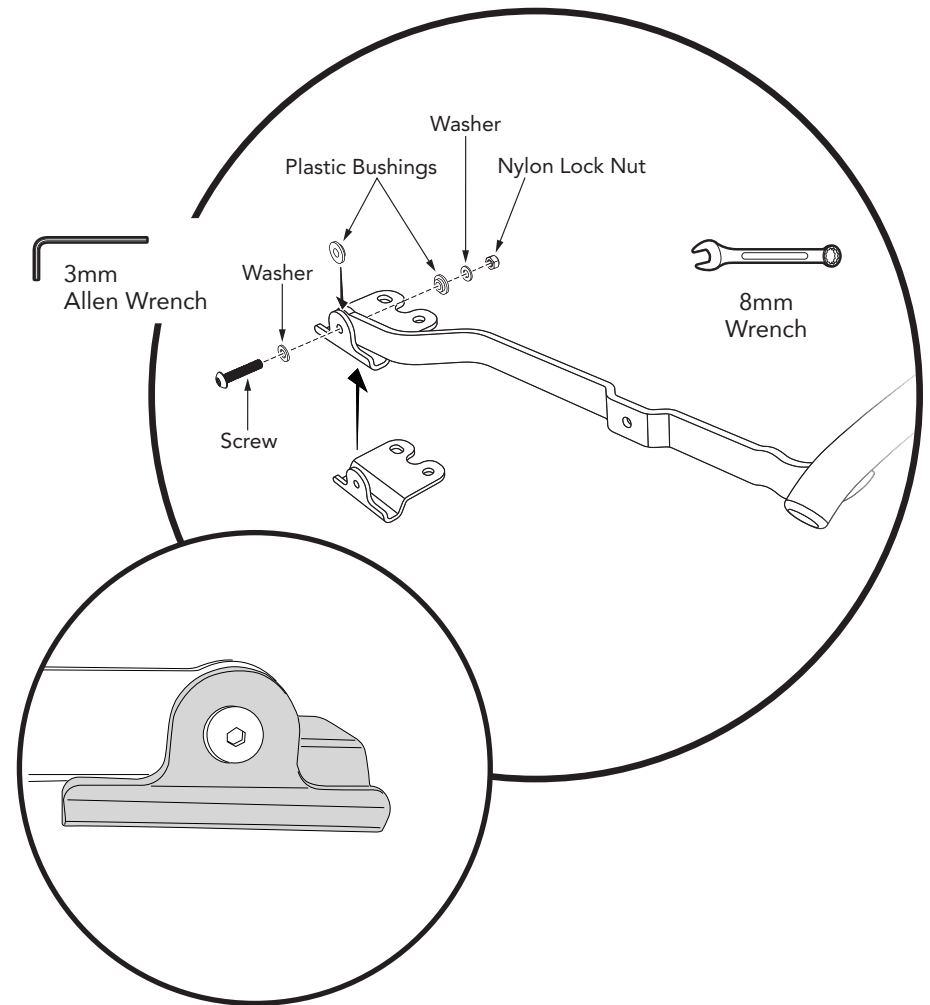
Plastic Bushing
#473.40
Qty. 4



M5 Flat Washer
#565.90
Qty. 4



M5 Nylon Lock Nut
#526.76
Qty. 2



Attach the #2 Bow Pivot Brackets to the #2 Bow.

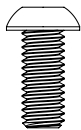
The Brackets attach to the end of each #2 Bow leg using one (1) M5x0.8x25 Button Head Socket Cap Screw, two (2) Bushings, two (2) M5 Flat Washers and one (1) M5 Nylon Lock Nut on each Side Bow Leg.

The Plastic Bushings go directly on either side of the Side Bow legs, with the larger hole.

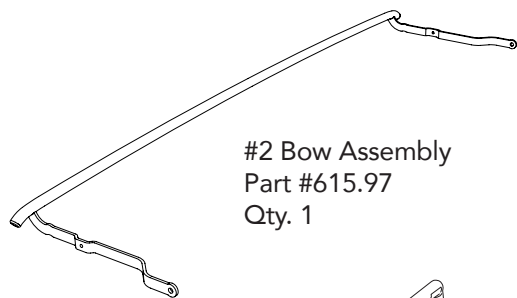
Parts



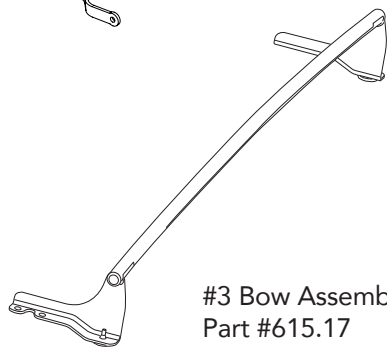
M6 Flat Washer
#515.81
Qty. 4



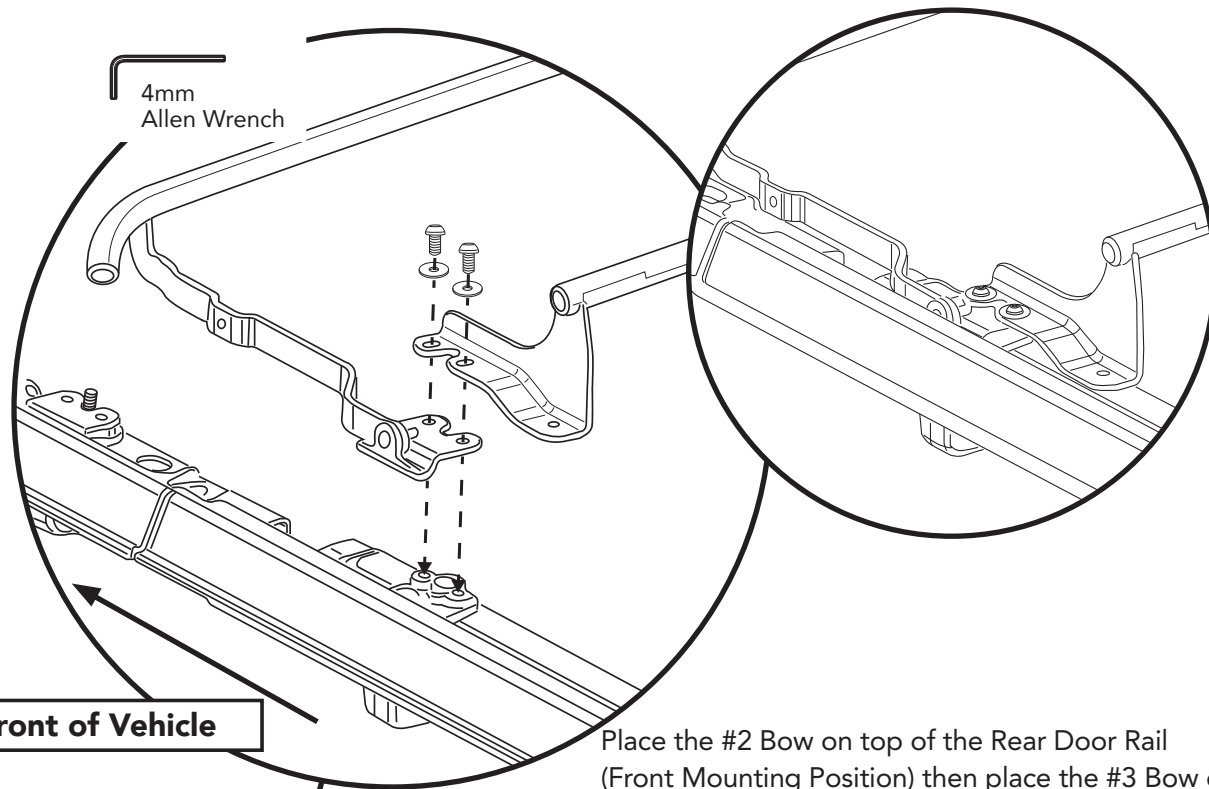
M6x14
Button Head
Socket Cap Screw
#517.63
Qty. 4



#2 Bow Assembly
Part #615.97
Qty. 1

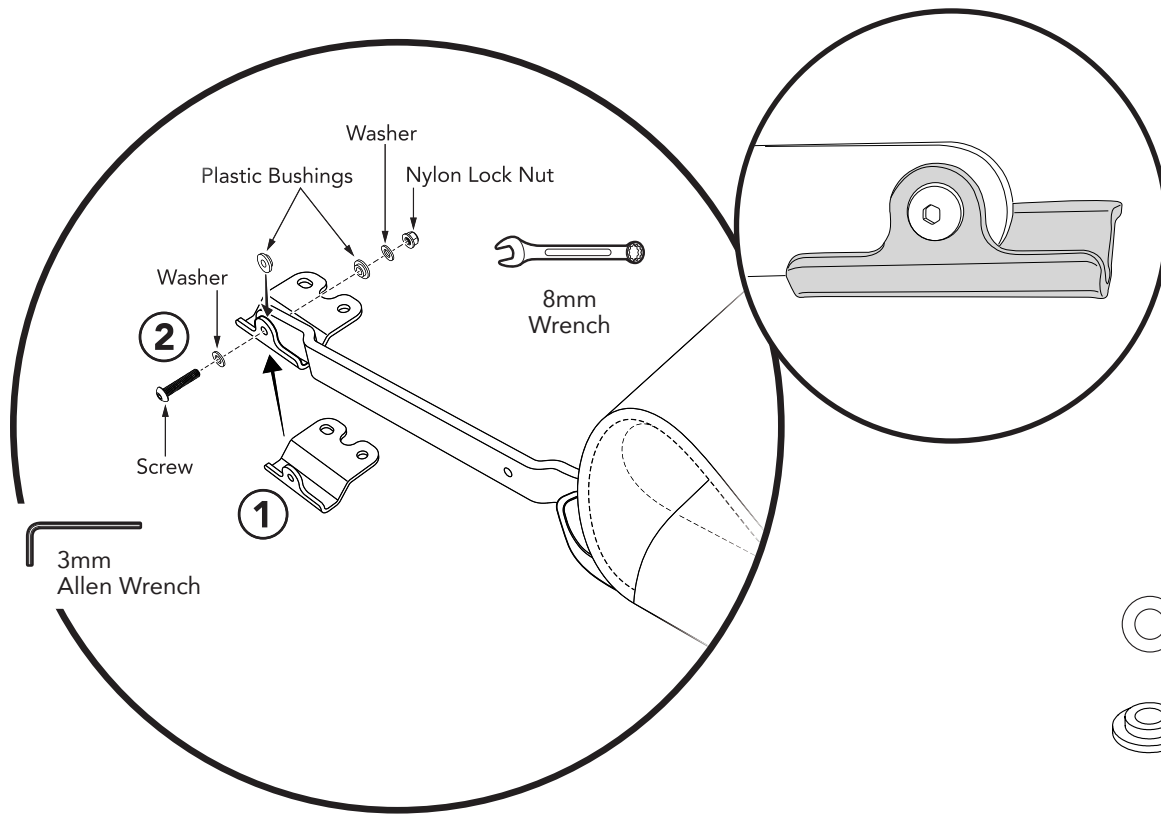


#3 Bow Assembly
Part #615.17
Qty. 1





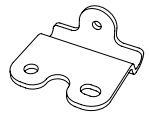


Place the #2 Bow on top of the Rear Door Rail (Front Mounting Position) then place the #3 Bow on top of the #2 Bow mounting Brackets. Attach with two (2) M6 x 14mm Button Head Screws and M6 Flat Washers per side.

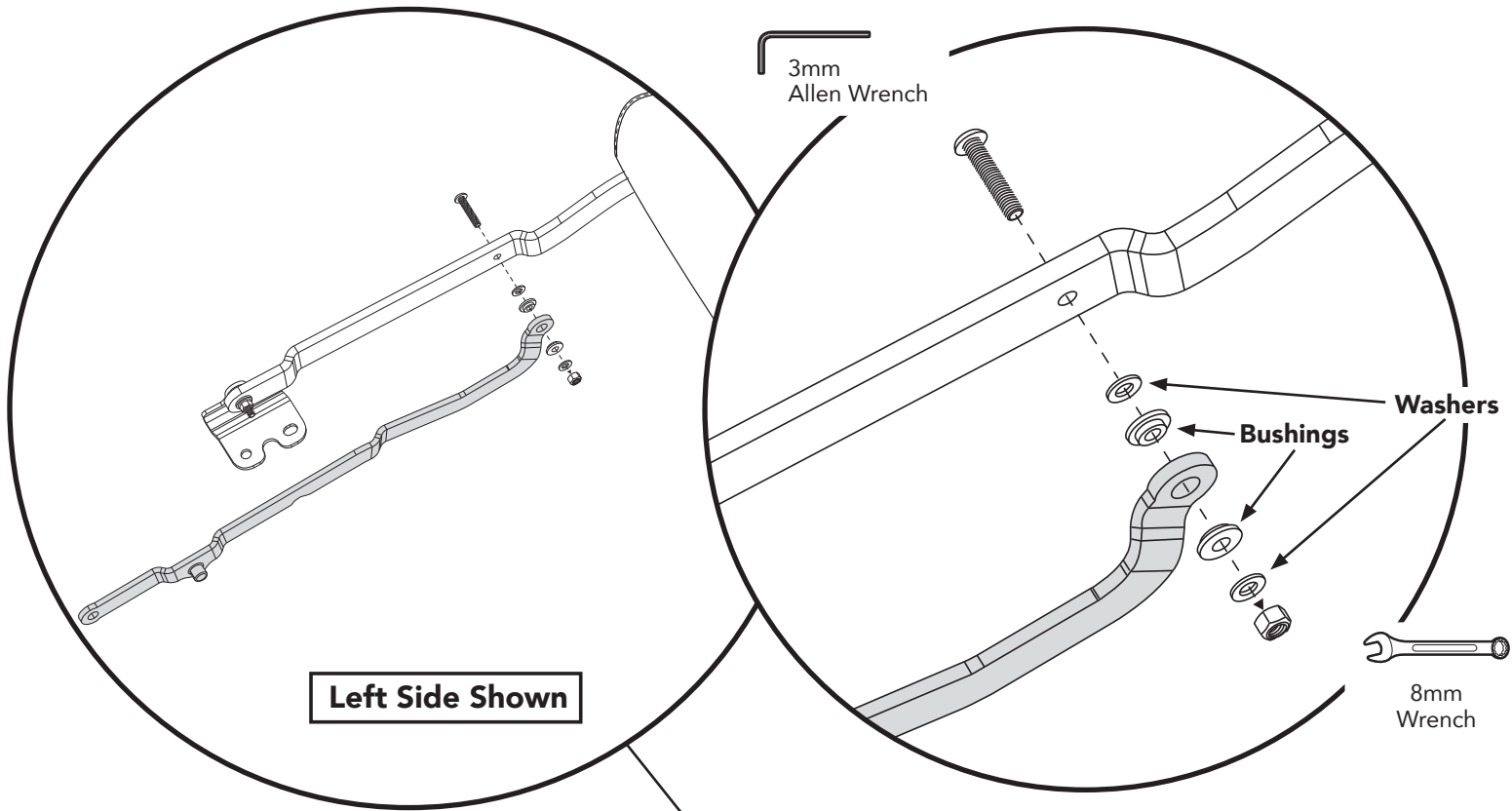




Parts

-  M5 Flat Washer
#565.90
Qty. 4
-  M5 Nylon Lock Nut
#526.76
Qty. 2
-  M5x0.8x25
Button Head
Socket Cap Screw
#579.60
Qty. 2
-  Plastic Bushing
#473.40
Qty. 4
-  Side Bow Pivot
Bracket
Part #579.96
Qty. 2

Attach the Side Bow Pivot Brackets to the Side Bows on the Header/Deck Assembly.
 The Brackets attach to the end of each Side Bow using one (1) M5x0.8x25 Button Head Socket Cap Screw, two (2) Bushings and two (2) M5 Flat Washers and one (1) M5 Nylon Lock Nut on each Side Bow Leg.
 The Plastic Bushings go directly on either side of the Side Bow legs, with the larger hole.




Attach the Bow Link Assemblies to the Side Bow.

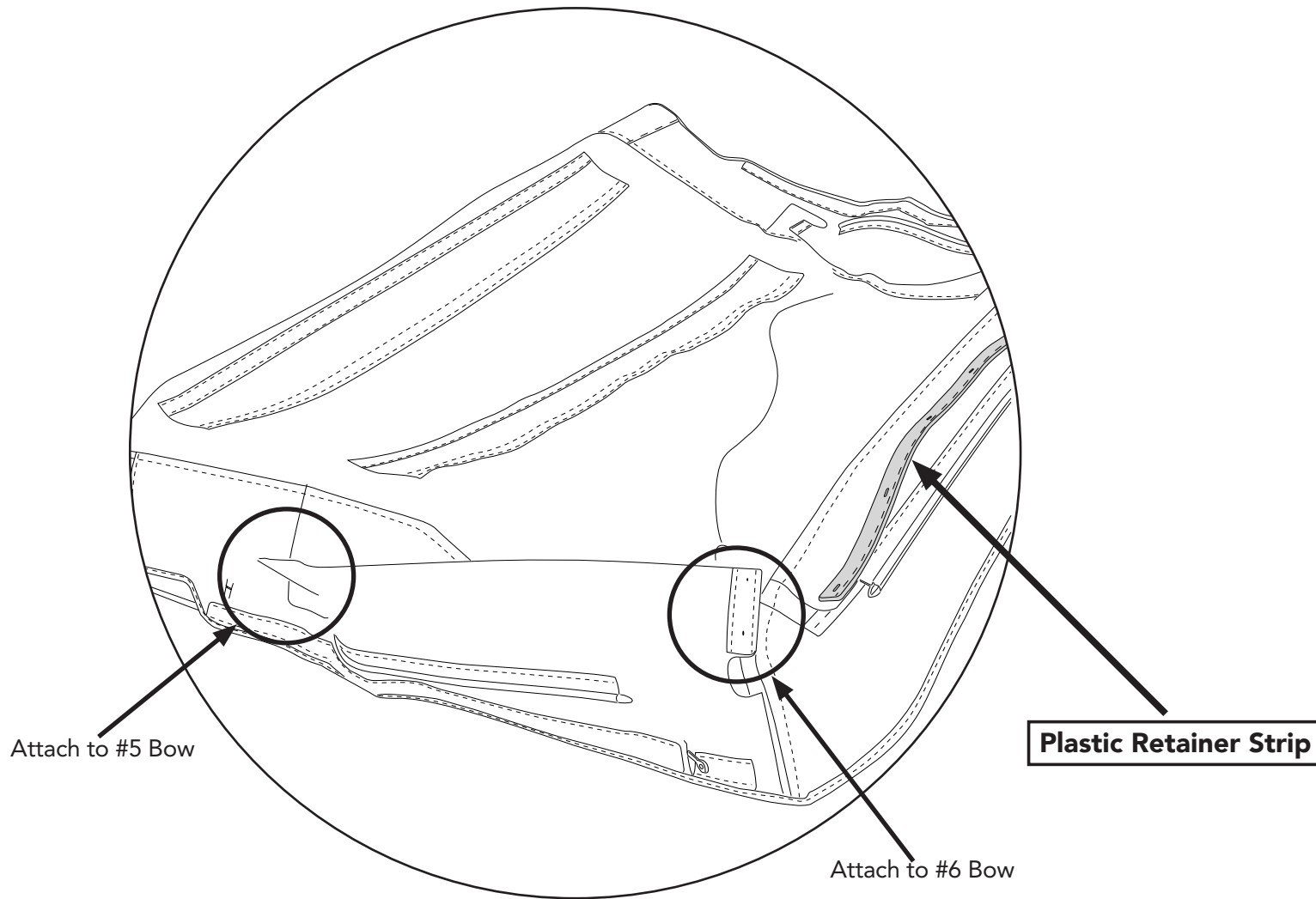
1. Place a Plastic Bushing on either side of the Bow Link with the larger hole.
2. Align the Bow Link with Bushings with the hole in the Side Bow.
3. Secure the Bow link with one (1) Button Head Socket Cap Screw, two (2) M5 Flat Washers, and one (1) M5 Nylon Lock Nut.

Attach a Bow Link Assembly to each Side Bow.



Parts

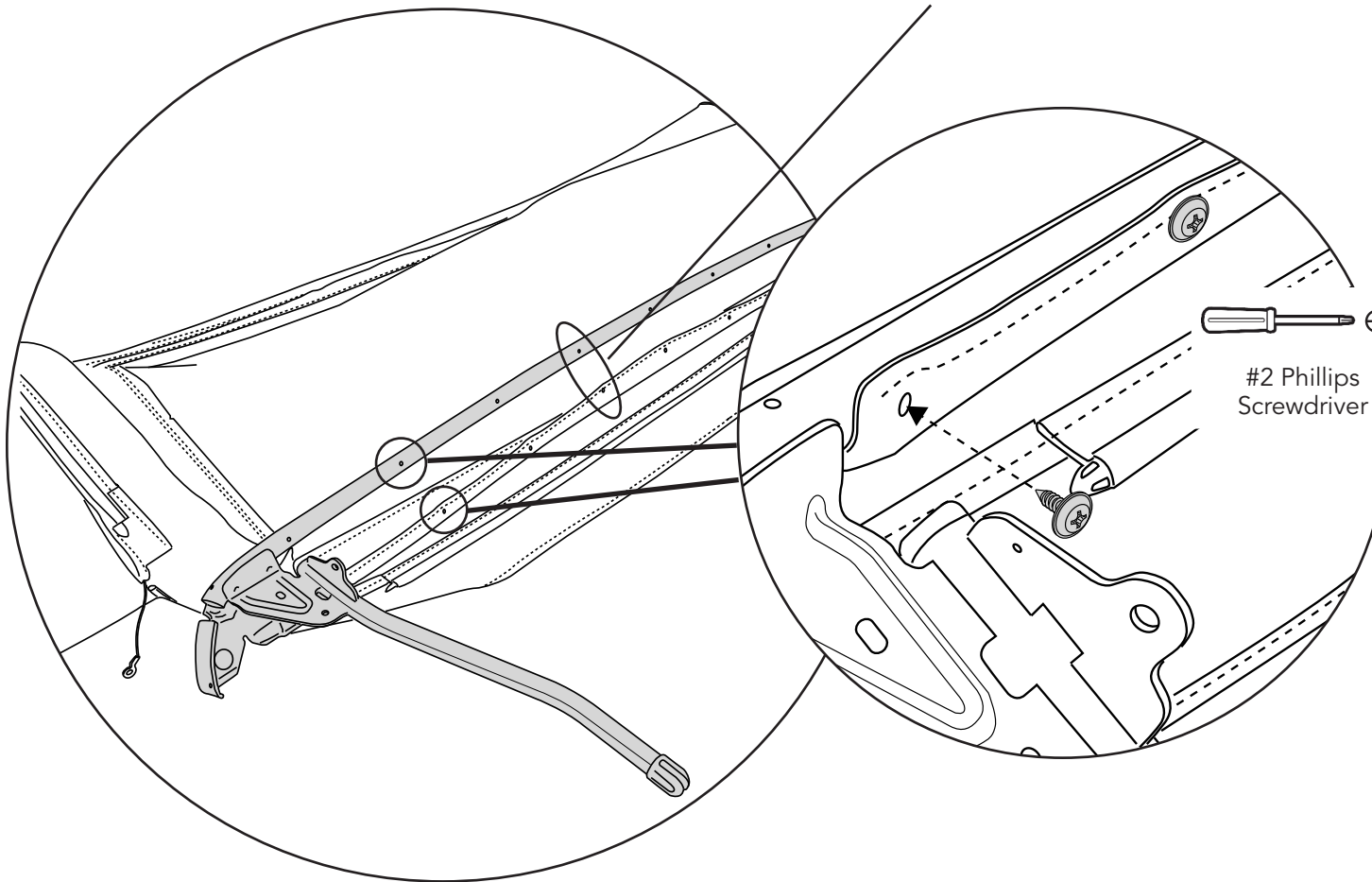
- | | | |
|--|---|---|
|  |  | M5x0.8x25
Button Head
Socket Cap Screw
#579.60
Qty. 1 |
| #2 Bow Link Assembly
Part #576.15 - Left
Qty. 1 | | |
|  |  | M5 Nylon
Lock Nut
#526.76
Qty. 2 |
| #2 Bow Link Assembly
Part #576.16 - Right
Qty. 1 | | |
| Plastic Bushing
#473.40
Qty. 4  | M5 Flat Washer
#565.90
Qty. 4  | |



Lay out the Top Fabric Assembly with the inside facing up.

TIP

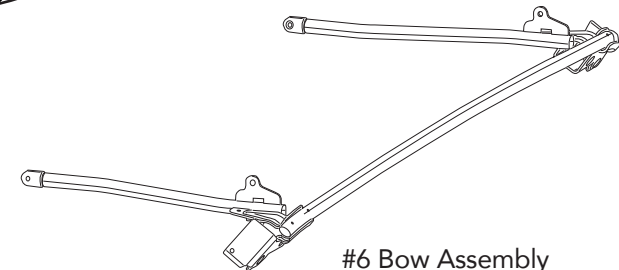
It is easiest to start with the center screw then work your way towards the outer ends of the flaps.



Parts

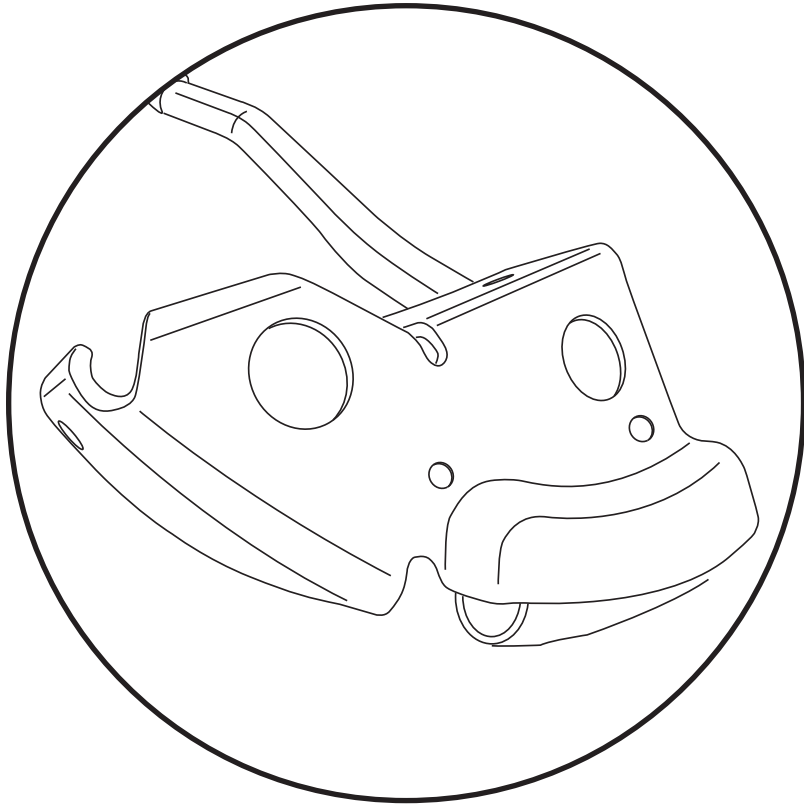


SCREW, Sheet Metal
Part #393.79
Qty. 9



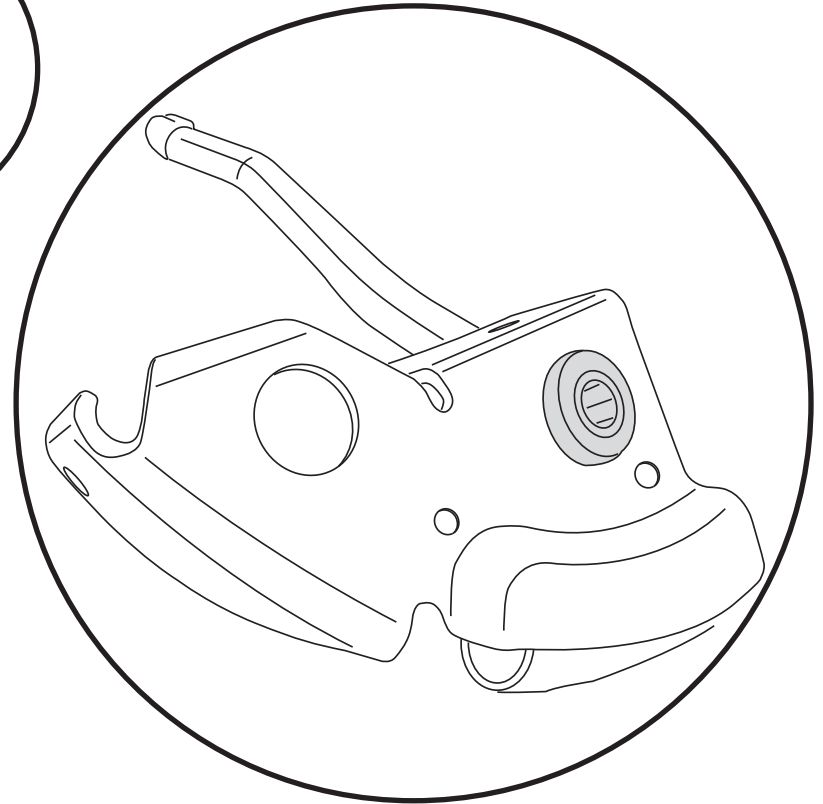
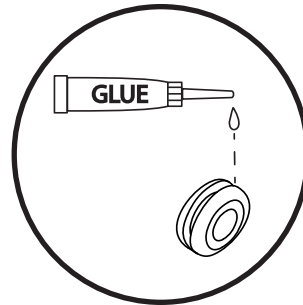
#6 Bow Assembly
Part #614.94
Qty. 1

Place the #6 Bow Rear edge of the Top Fabric Assembly with the arch going up and the legs going rearward. Pull the flap of the fabric with the Plastic Retainer Strip to the #6 Bow, Align the holes in the fabric with the holes in the #6 Bow and attach with nine (9) #8 x 5/8 inch Sheet Metal Screws.

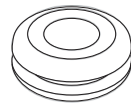


Insert a Grommet into the bracket at the end of the #6 Bow Assembly.

Repeat this on the other side of the bow.



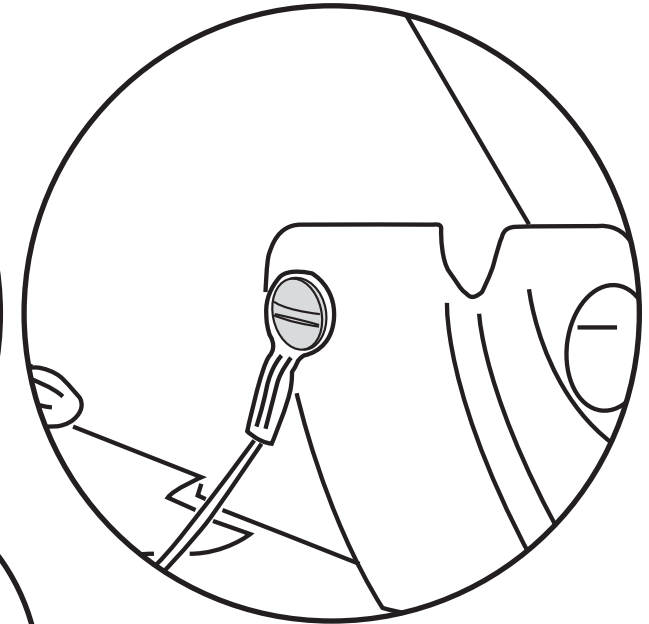
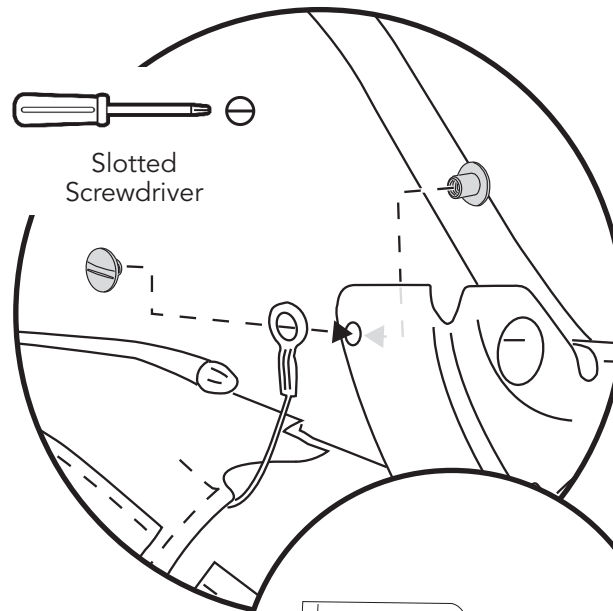
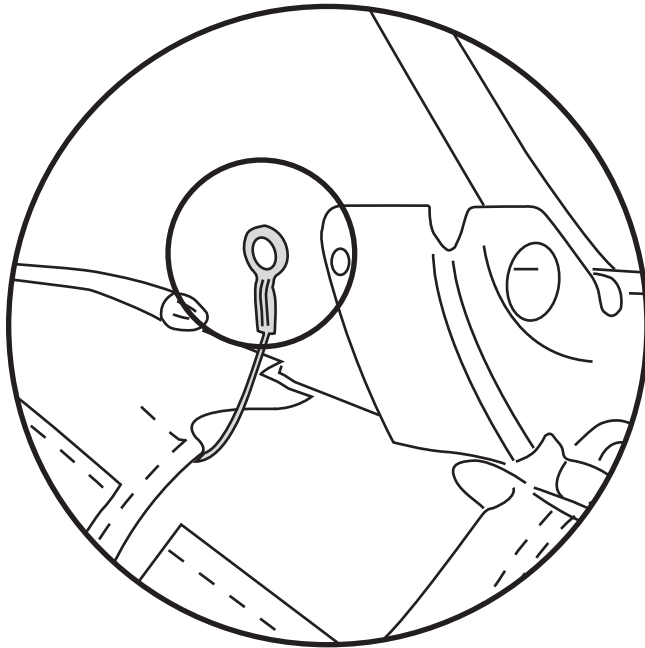
Parts



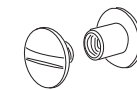
Grommet 7/16"
Part #543.75
Qty. 2

Pull the Cable out from under the flap on the side of the top fabric assembly.

Pull the Cable out from under the flap on the side of the top fabric assembly.



Parts



Screw, Binding
Barrel
Part #599.01
Qty. 2

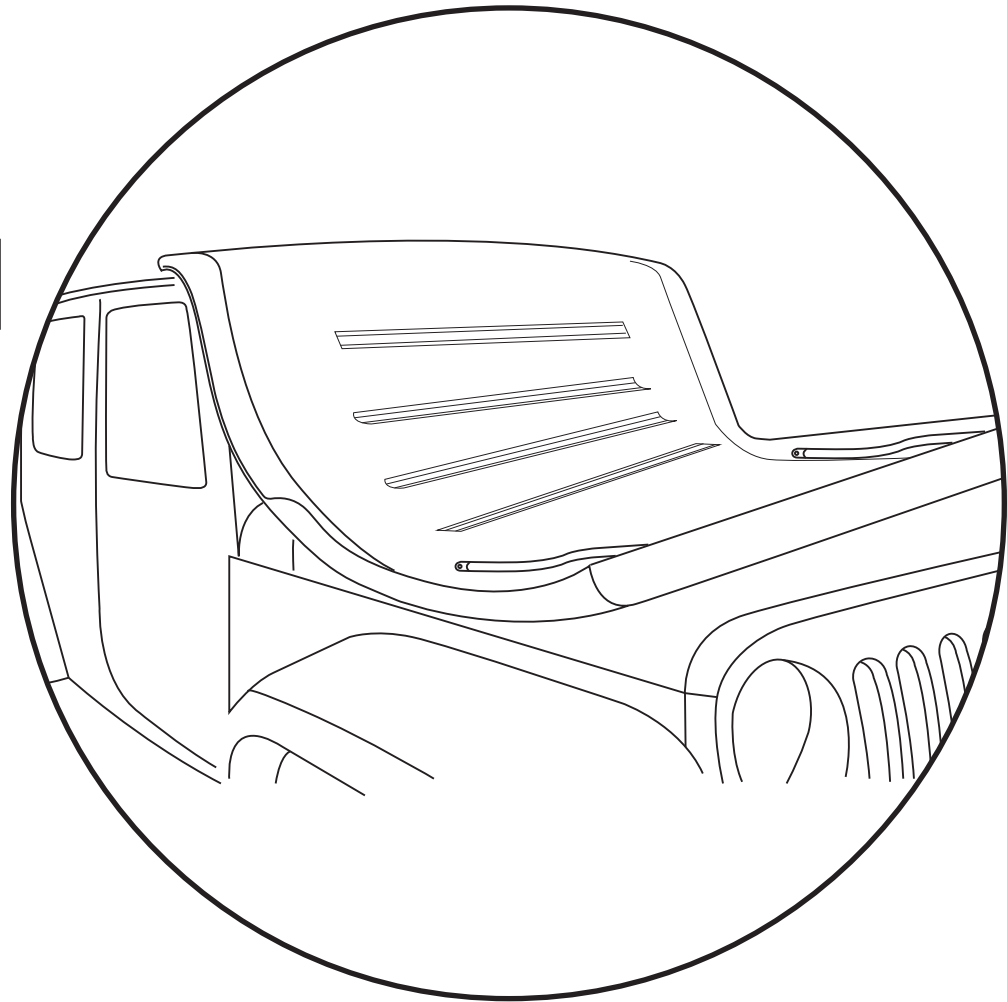
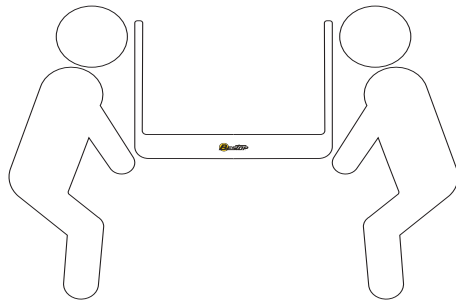


Loctite Capsule
Part #309.83
Qty. 1

Place the Fabric assembly on the hood of the vehicle and bring the Header to the top of the windshield.

TIP

It will be easier lifting the fabric assembly onto the vehicle with two people.



Parts

M6x14
Button Head
Socket Cap Screw
#517.63
Qty. 4

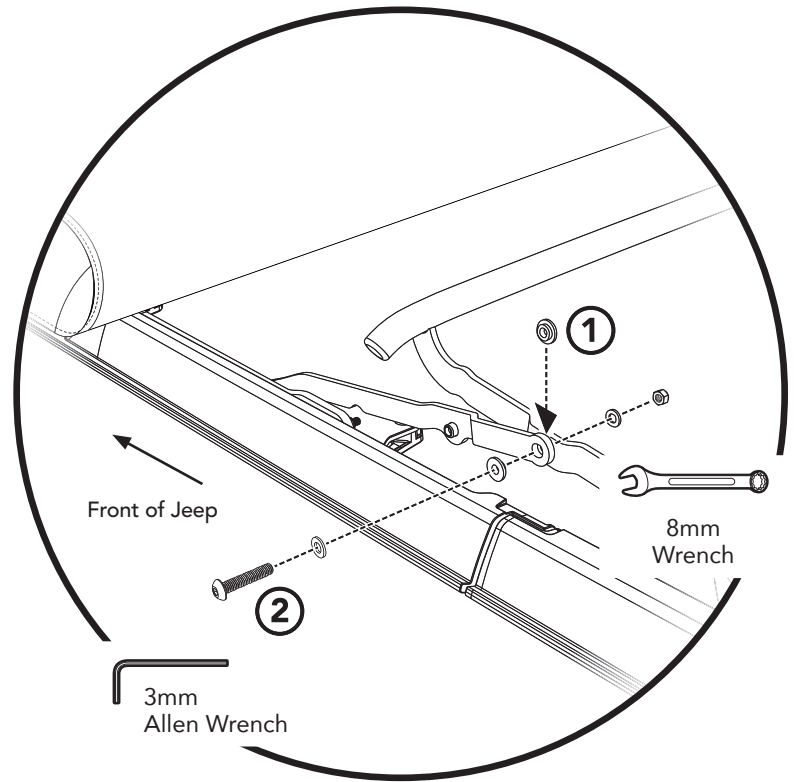
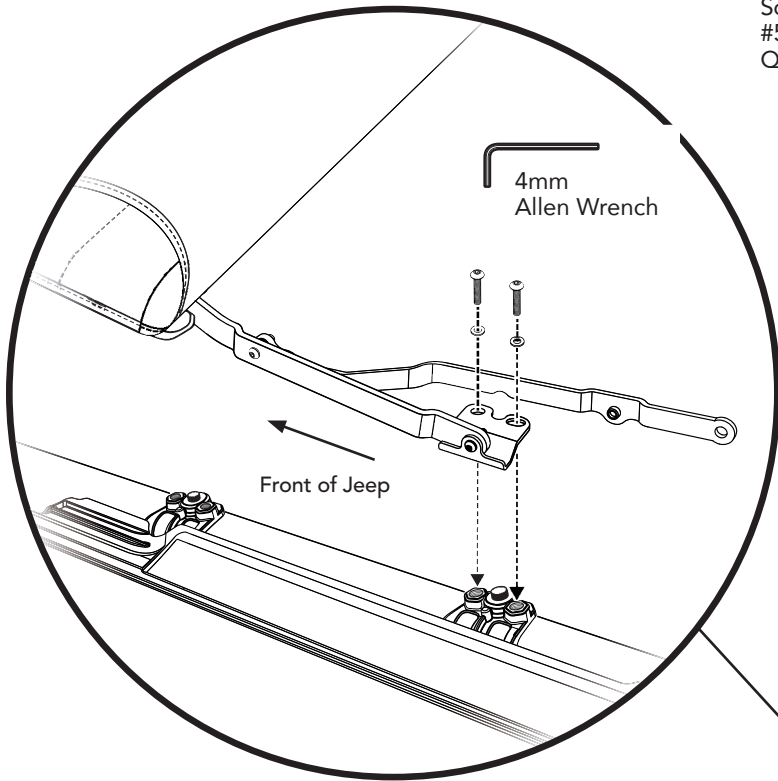
M6 Flat Washer
#515.81
Qty. 4

Plastic Bushing
#473.40
Qty. 4

M5x0.8x25
Button Head
Socket Cap Screw
#579.60
Qty. 2

M5 Nylon
Lock Nut
#526.76
Qty. 2

M5 Flat Washer
#565.90
Qty. 4



Attach the #Header/Deck/Side Bow Assembly to the top of the Front Door Rail rear brackets.

Secure the Side Bow to the top of the brackets using two (2) M6x14 Button Head Cap Screws and two (2) M6 Flat Washers on each side of the Jeep.

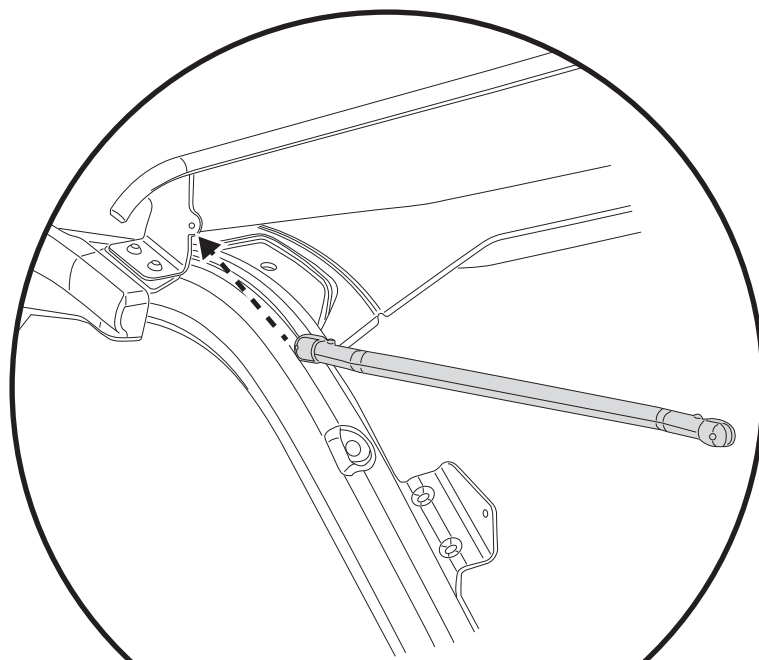


Attach the Bow Link Assemblies to the #2 Bow.

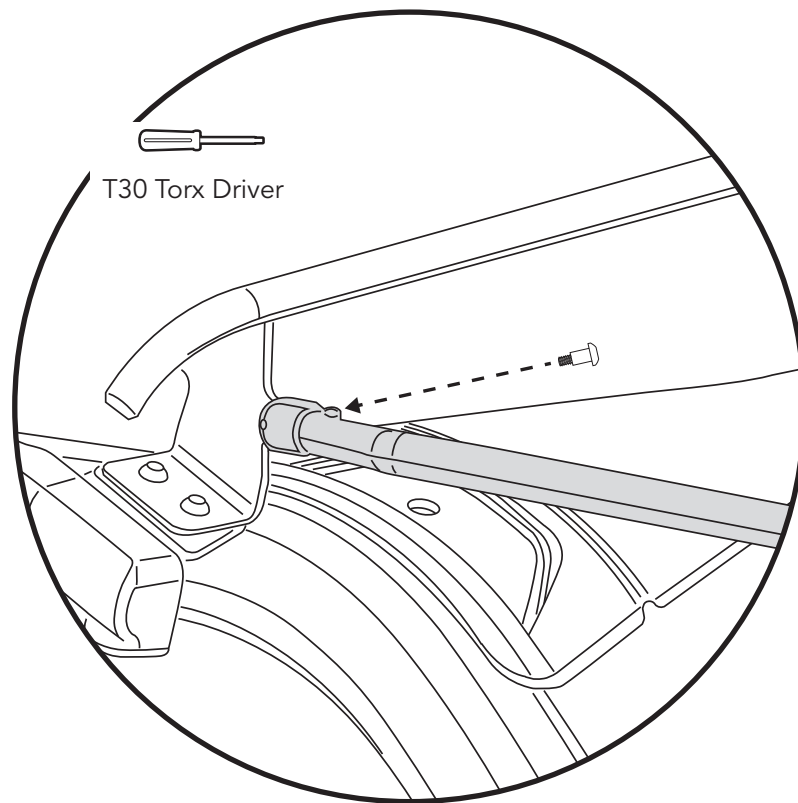
① Align the holes in the Bow Link and the #2 Bow, and place a Plastic Bushing in between the Bow Link and the #2 Bow.

② Secure the Bow link with one (1) M5x0.8x25 Button Head Socket Cap Screw, two (2) M5 Flat Washers and one (1) M5 Nylon Lock Nut.

Attach a Bow Link to each Side Bow.



Attach the #6 Bow Support Upper to the #5 Bow.



T30 Torx Driver

Use one (1) Pivot Knuckle screw per side.

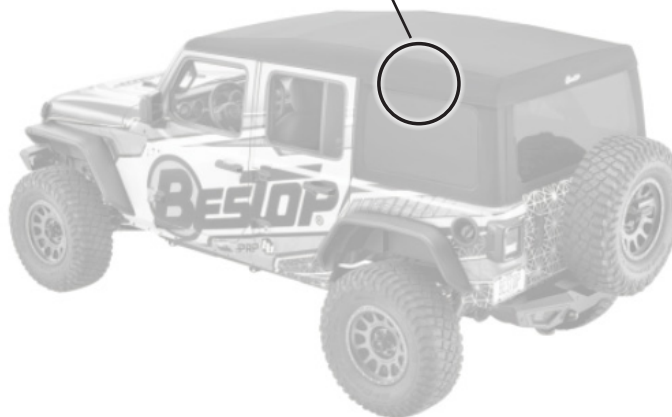
Parts

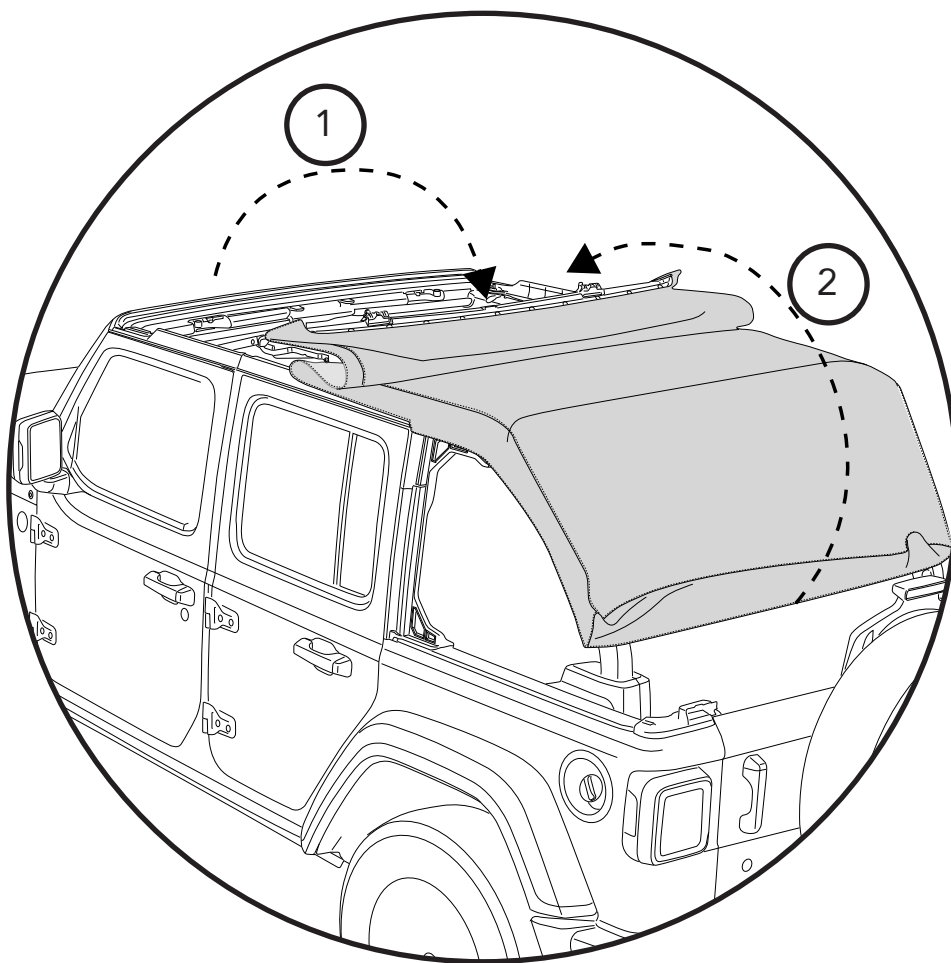
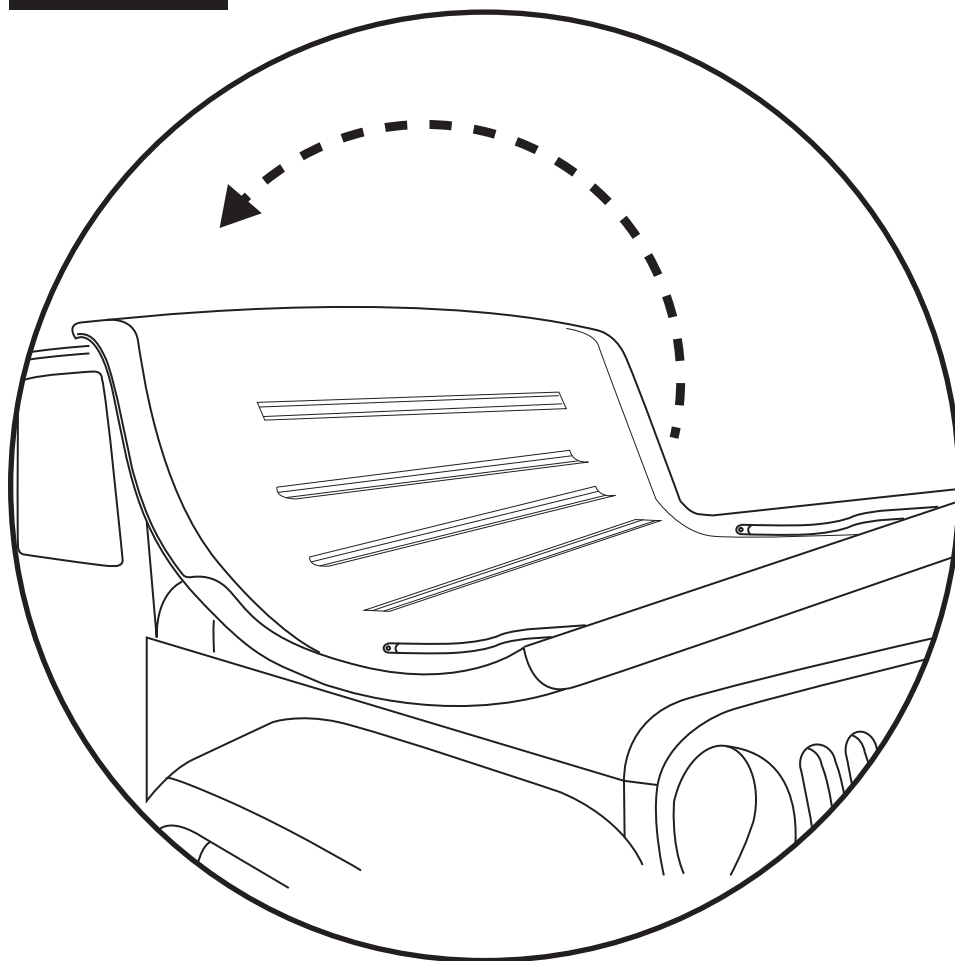


SCREW, Pivot Knuckle
Part #308.65
Qty. 2

Bow #6 Support Upper
Part #615.01
Qty. 2

Note: Make sure the support offsets to inside of the vehicle.

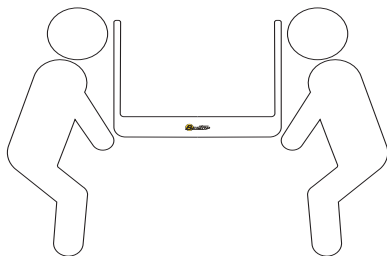




Lift the Top fabric assembly over the top of the vehicle.

TIP

It will be easier lifting the fabric assembly over the vehicle with two people.

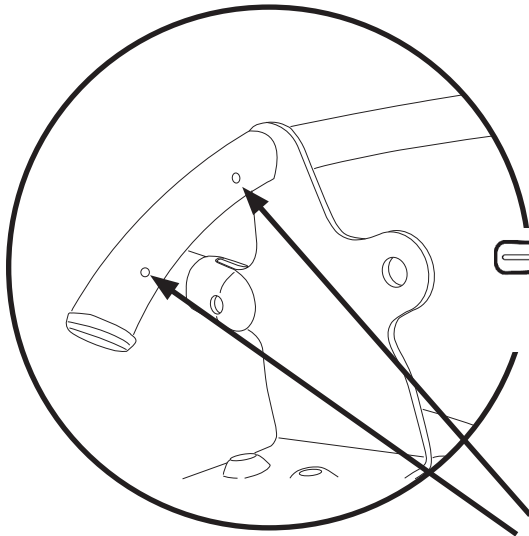
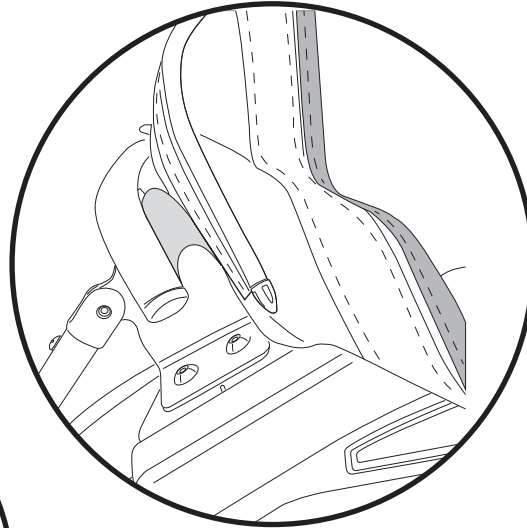


1 Open top to "SUNRIDER POSITION"

2 Lift the rear of the Top Fabric Assembly (Including the #6 Bow) over the top of the vehicle.

Tools

Parts

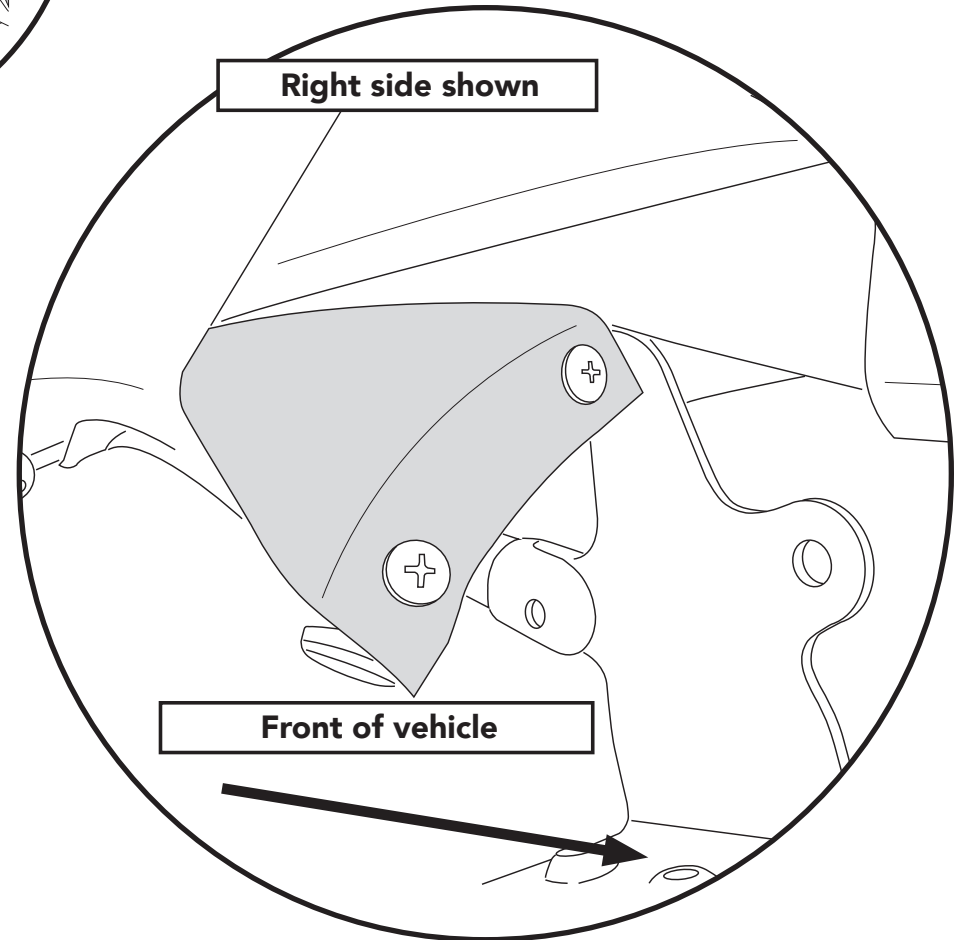



#2 Phillips
Screwdriver



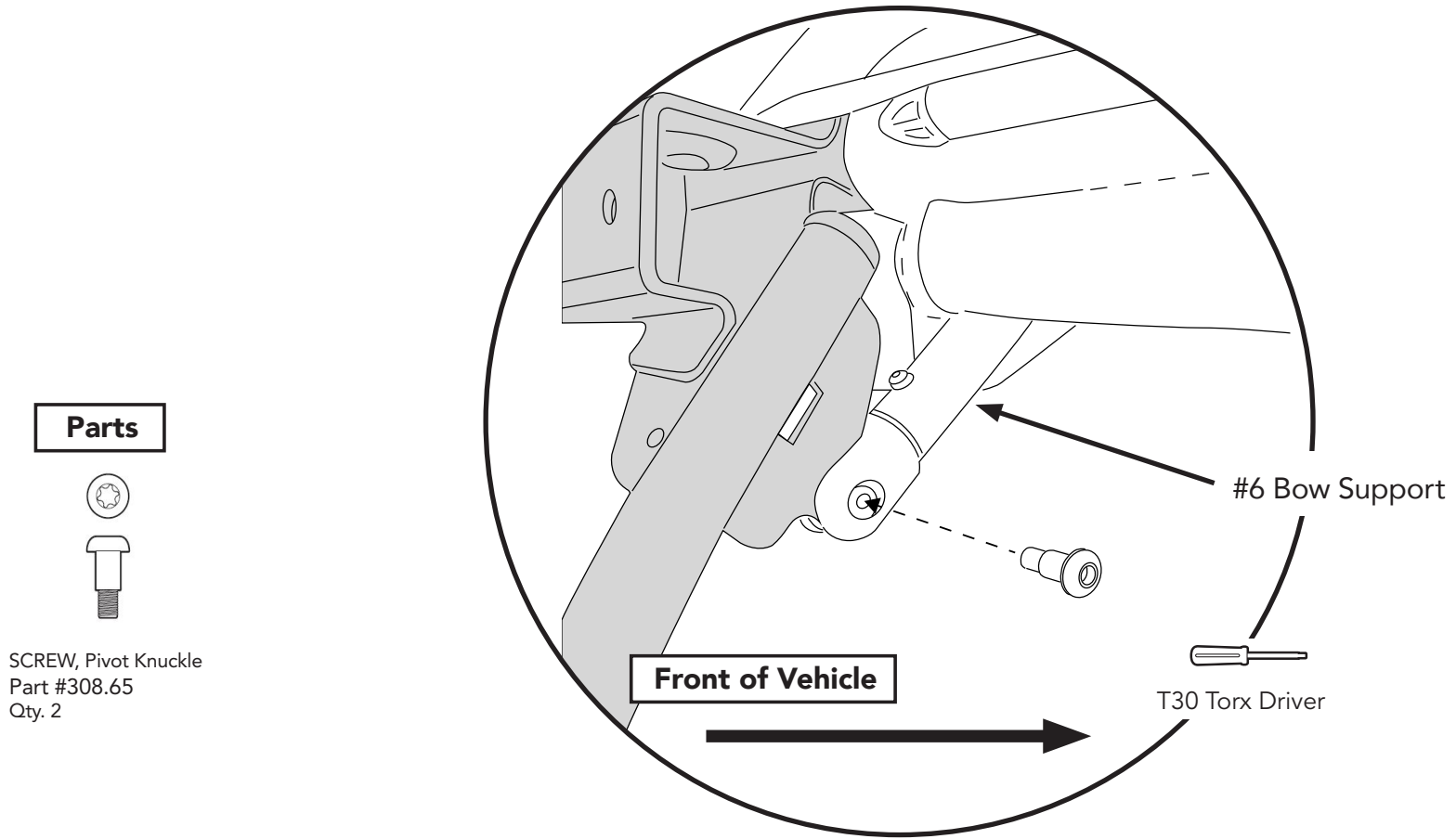
SCREW, Sheet Metal
Part #393.79
Qty. 4

Right side shown



Front of vehicle

Pull the flap down in front of the #5 bow then secure it to the front of the #5 Bow with two (2) Sheet Metal Screws per side.

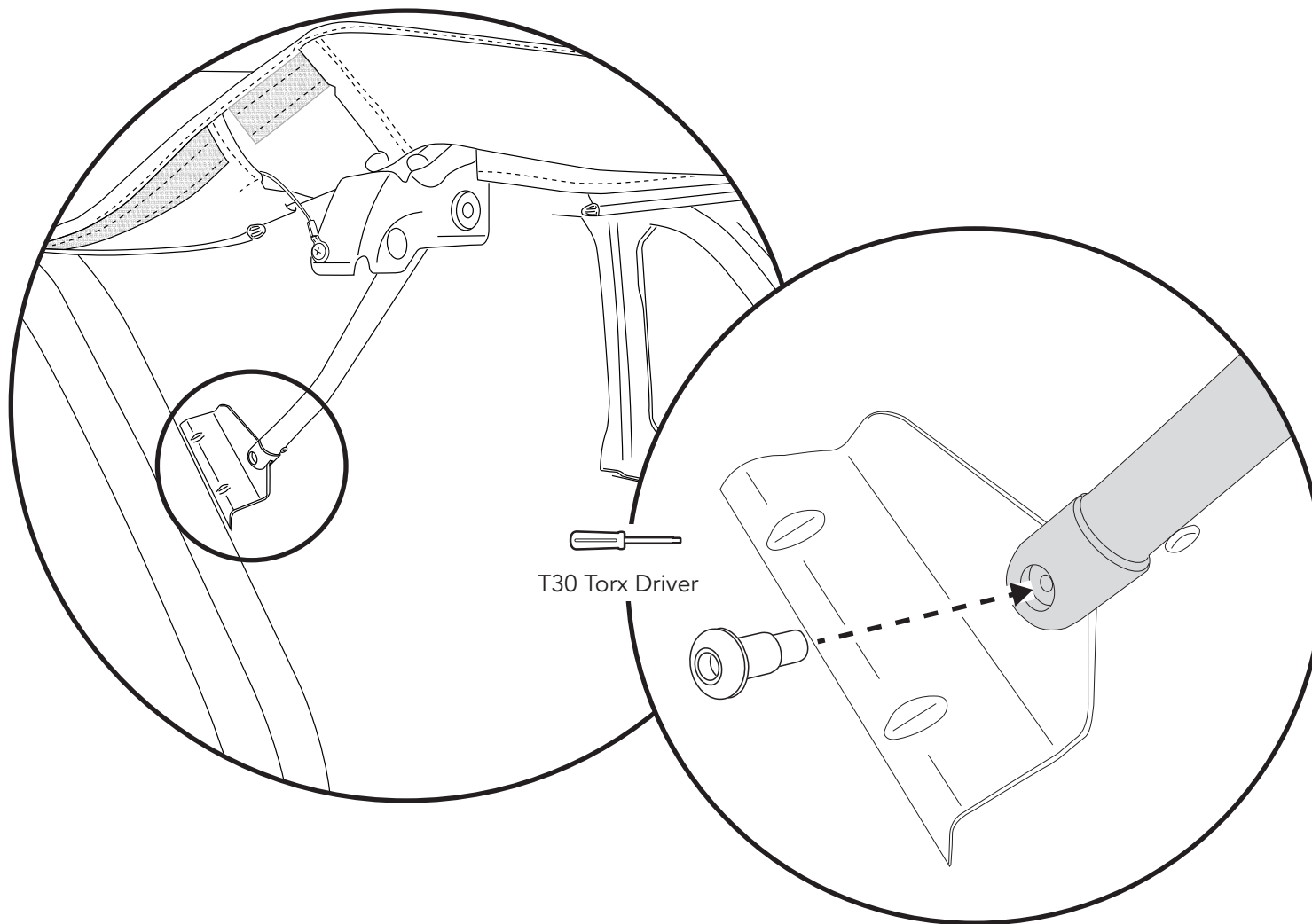


Pull the #6 bow down over the rear of the vehicle then attach the #6 Bow to the #6 Bow Support using one (1) Pivot Knuckle Screw per side.

Parts

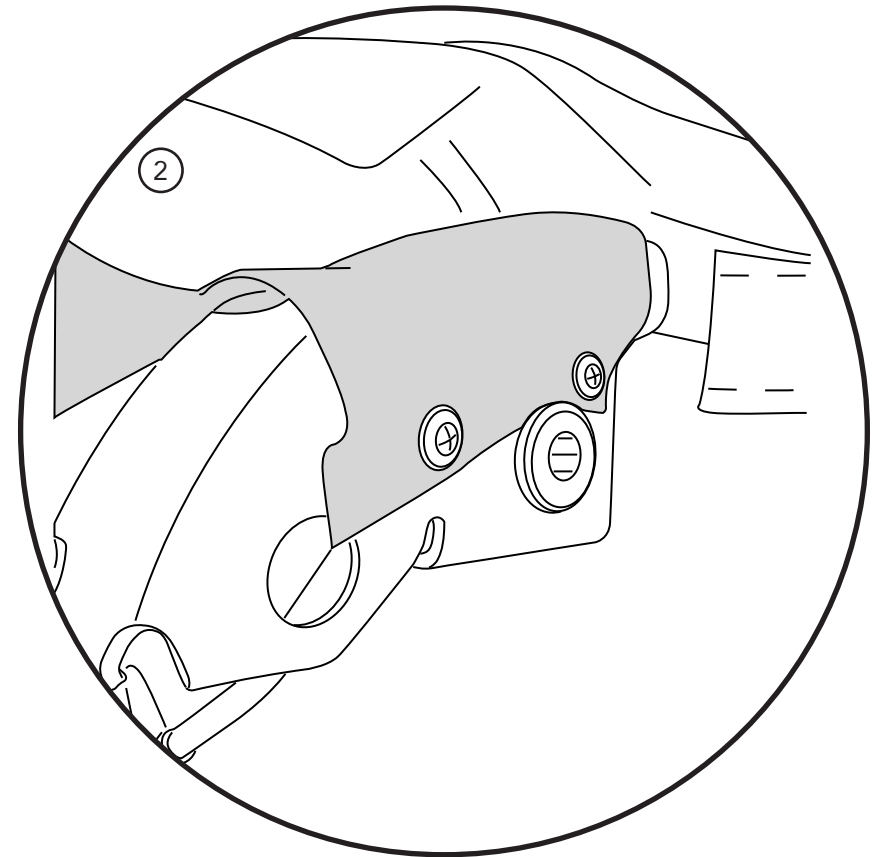
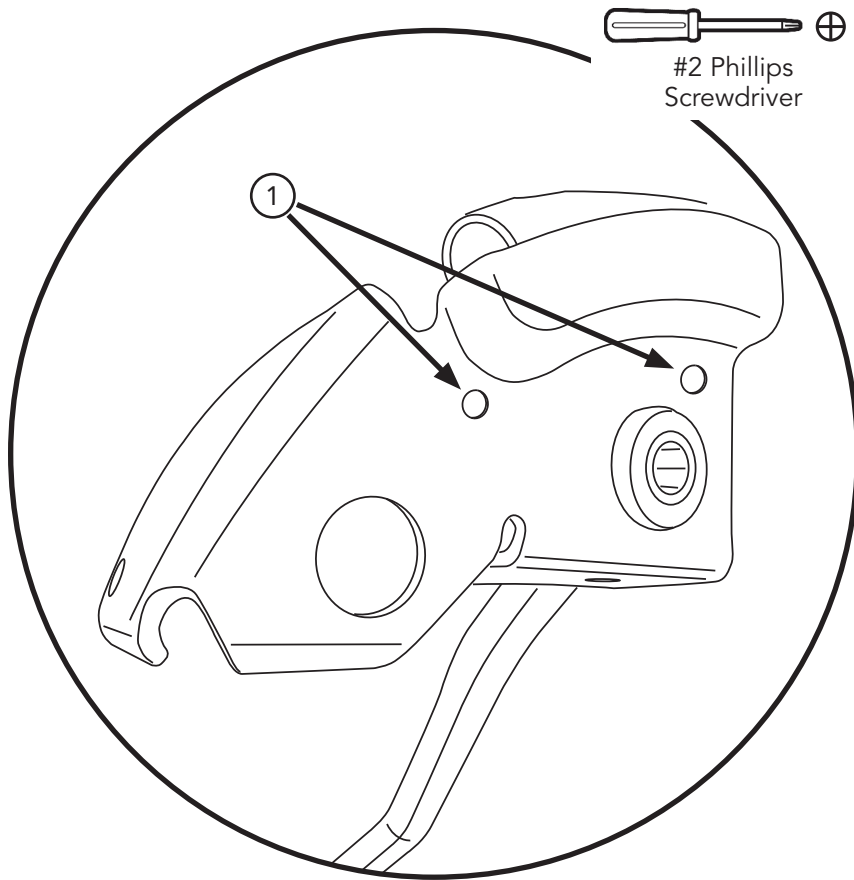


SCREW, Pivot Knuckle
Part #308.65
Qty. 2



Attach the #6 Bow Support to the #6 Bow Mounting Brackets using one (1) Pivot Knuckle Screw per side.

Repeat on the right side of the vehicle.

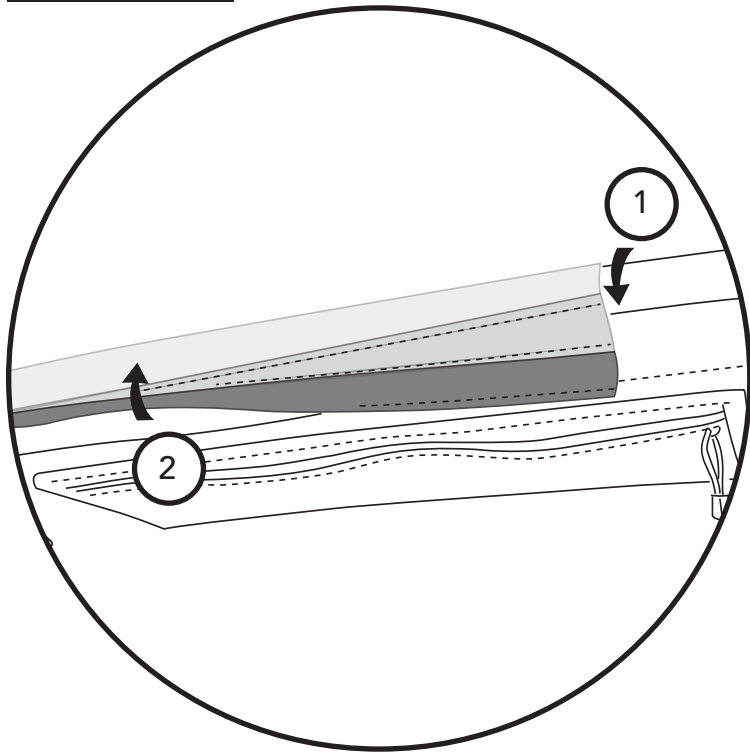


- ① Locate 2 holes on #6 Bow.
- ② Pull flap over #6 Bow then attach with two (2) Sheet Metal Screws.
Repeat on the right side of the vehicle.

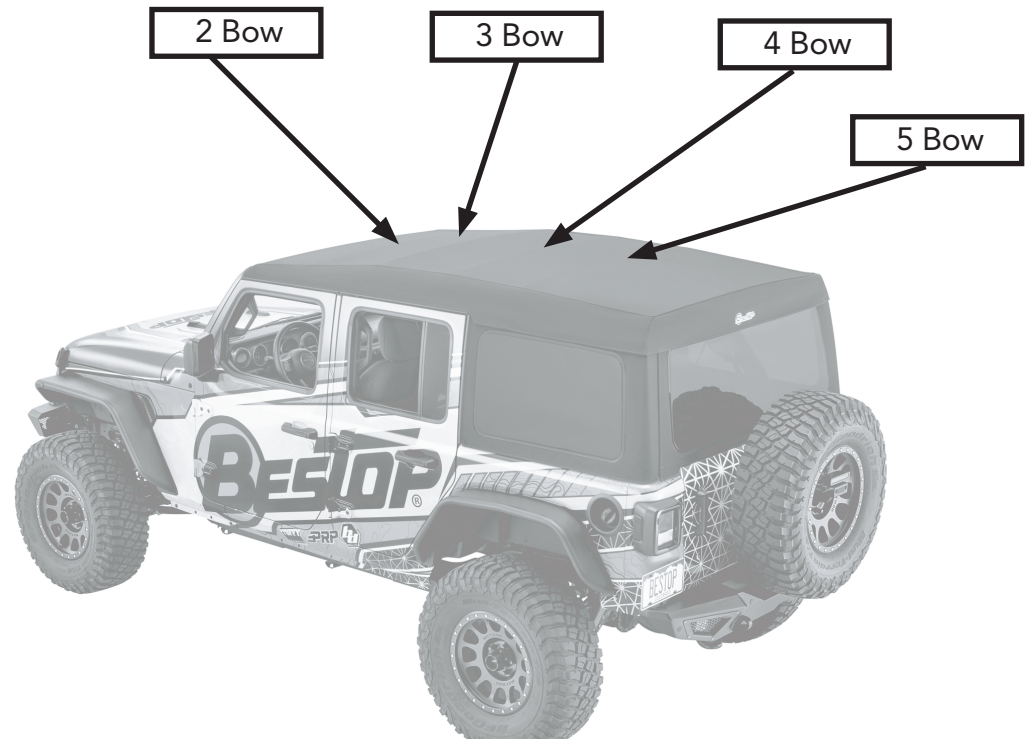
Parts

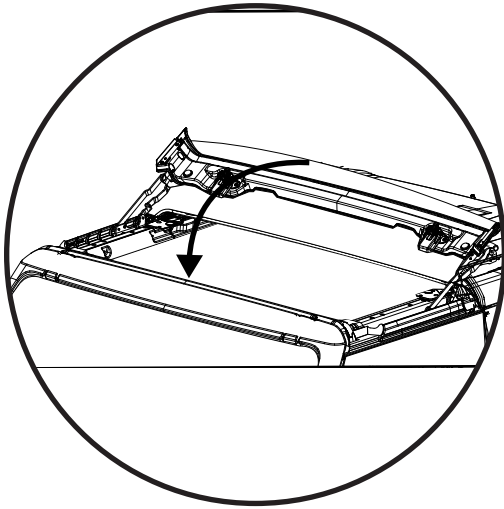


SCREW, Sheet Metal
Part #393.79
Qty. 4



Wrap the flap around the 2 Bow as shown in the illustration.
Repeat this step on the #3, #4 and #5 Bows.

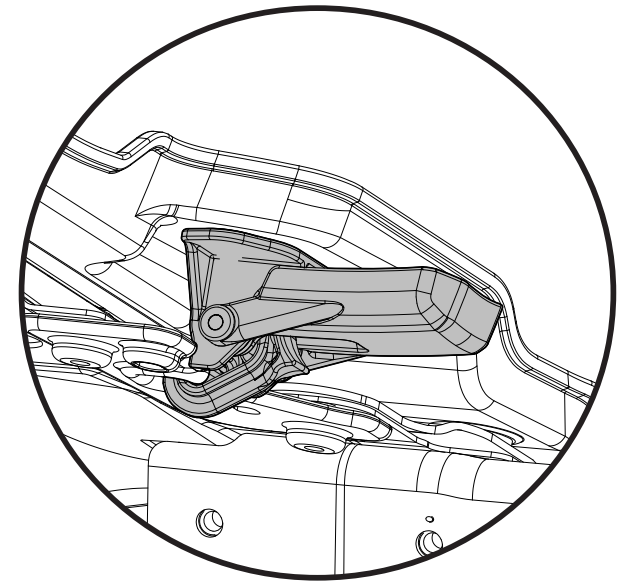
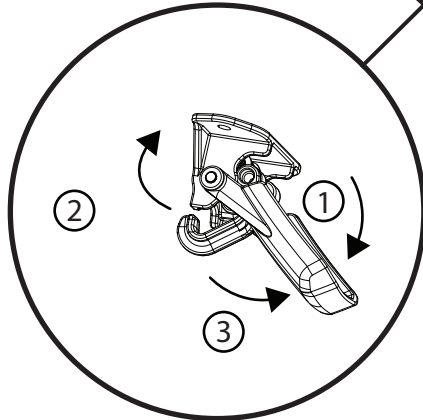
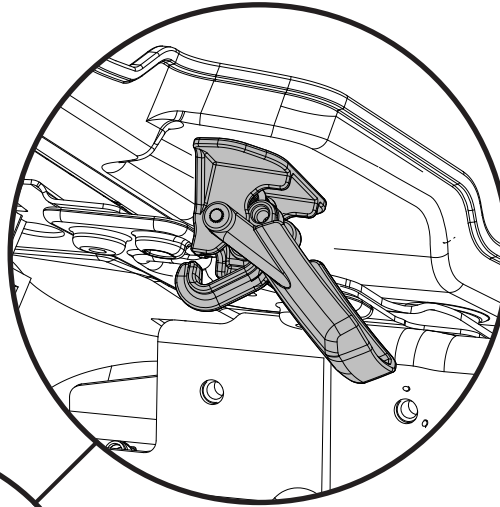




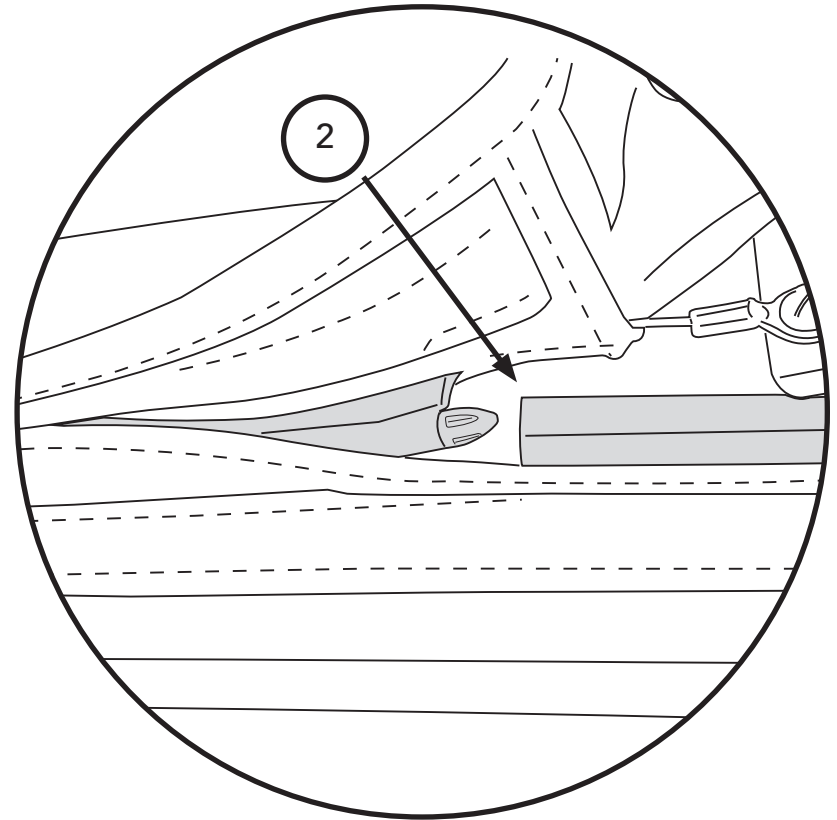
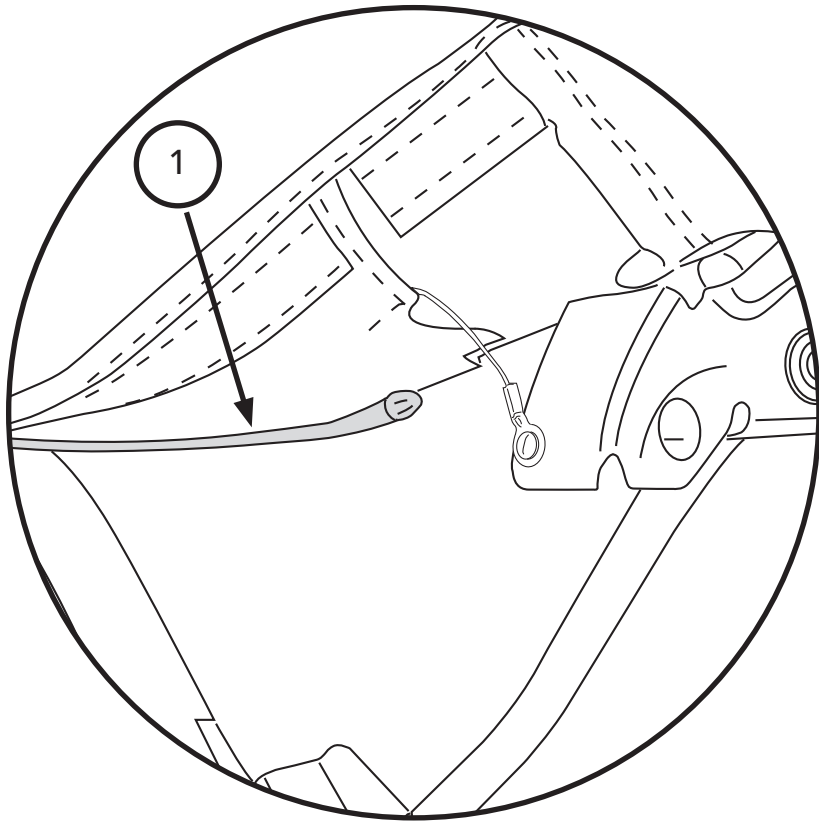
Fold the Sunrider forward.

Secure both latches to the vehicle's windshield header.

- ① Pivot the latch handle down;
- ② Engage the hook;
- ③ Pivot the latch handle back up.

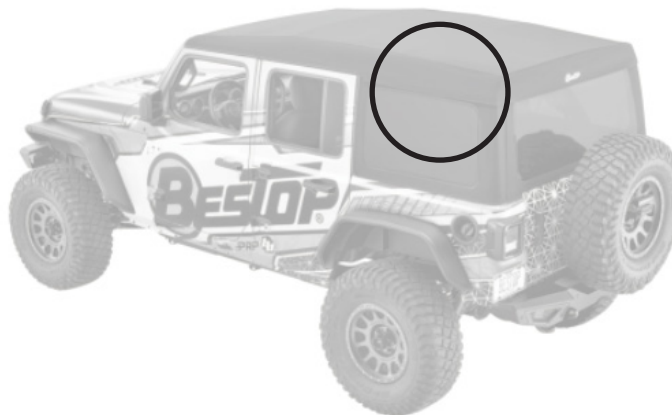


Latch in closed position

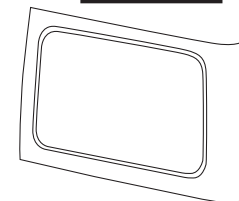


- ① Locate the plastic extrusion along the left side of the top fabric.
- ② Slide the "C" Channel (Along the top of the side window) along the plastic extrusion located on the top fabric assembly until the front of the side panel meets the Rear Door Rail.

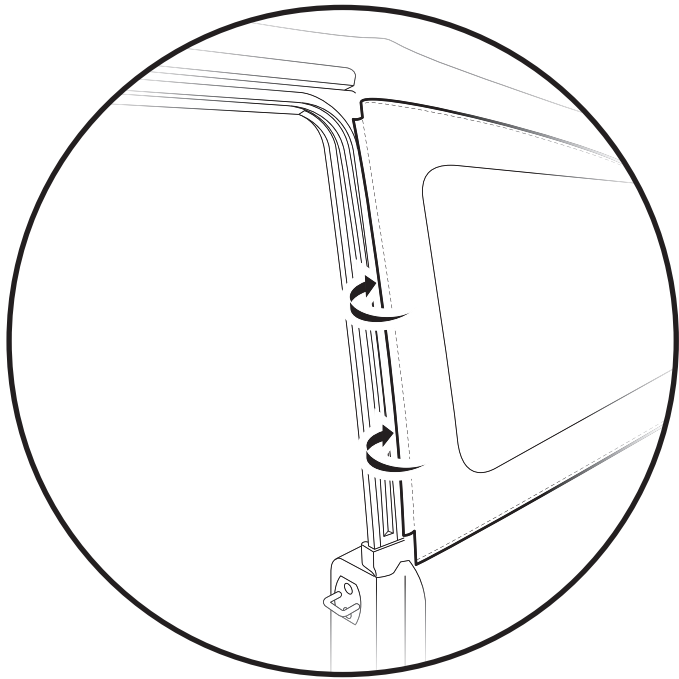
Repeat this on the right side of the vehicle.



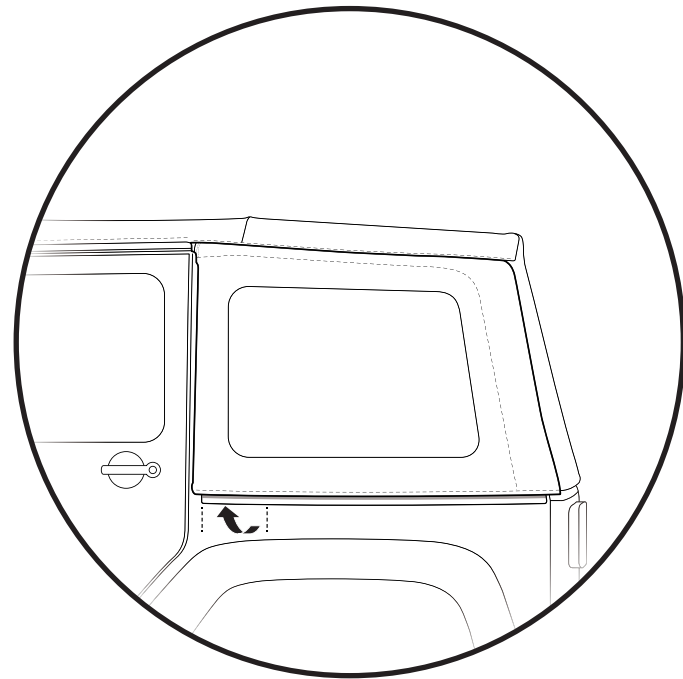
Parts



Quarter Window Left
Qty. 1
Quarter Window Right
Qty. 1

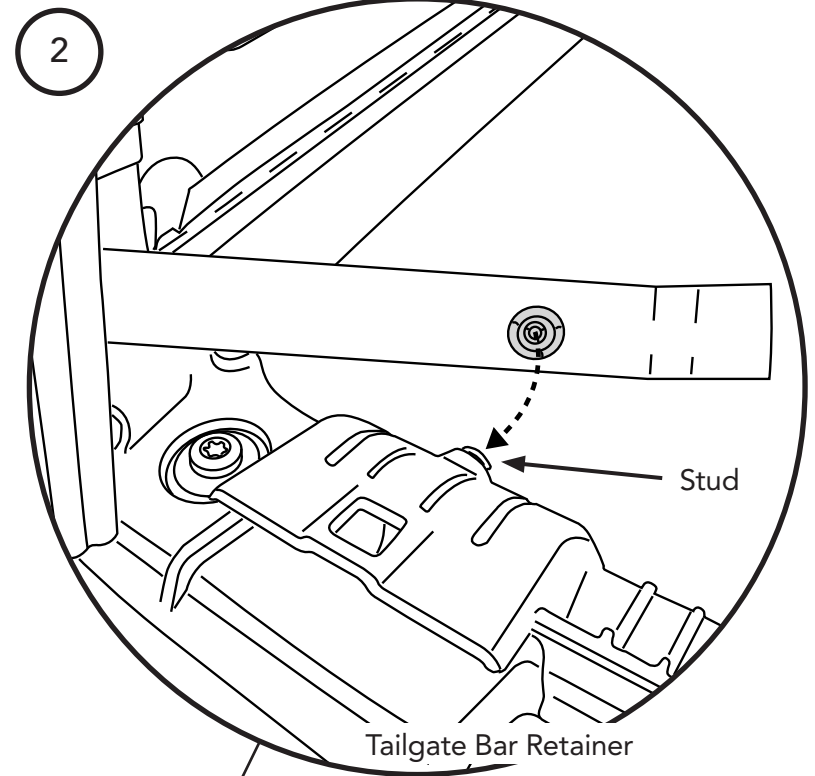
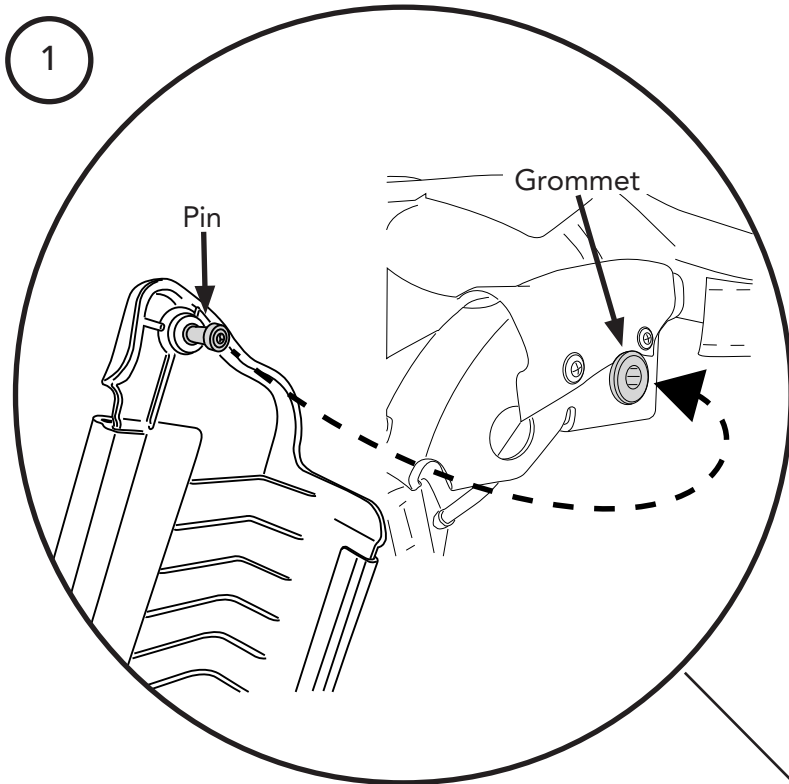


Locate the the sewn-in plastic strip along the front edge of the left Quarter Window.
Tuck this plastic strip into the vertical channel along the outside face of the left Rear Door Rail.



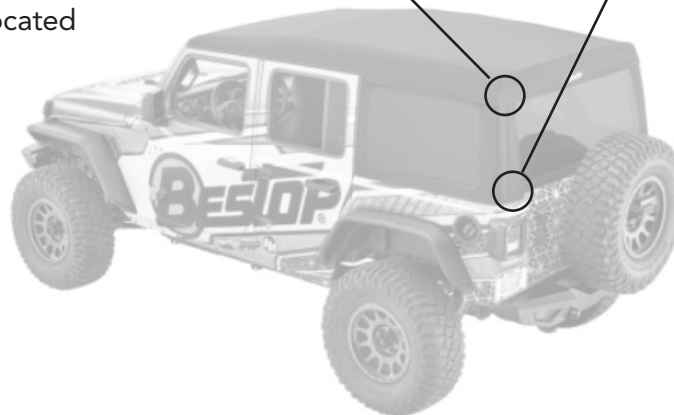
Tuck just the first couple of inches of the plastic strip along the bottom edge of the Quarter Window under the Jeep belt rail.

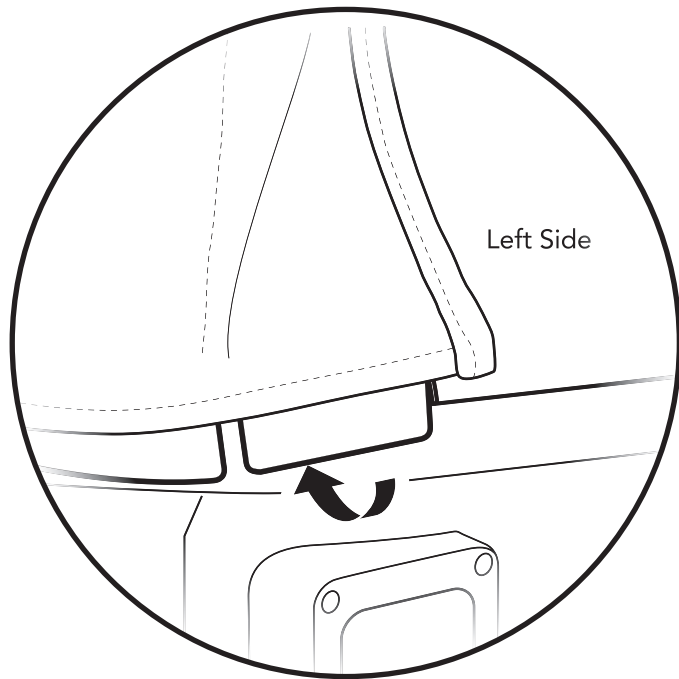
Repeat on the right side of vehicle.



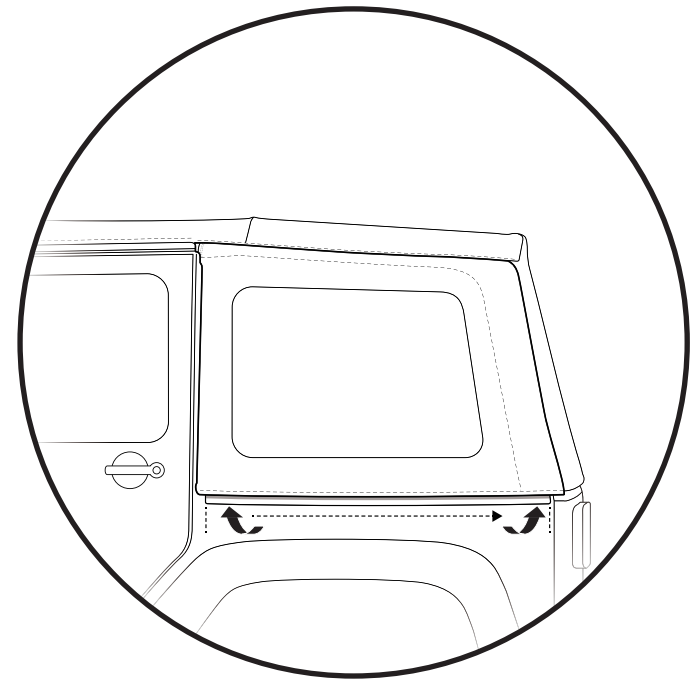
- ① Insert the pin on the Side Panel Stiffner into the Grommet on the #6 Bow.
- ② Locate the strap located at the bottom of the Side Panel Stiffner and snap it to the snap stud located at the rear of the Tailgate Bar Retainer.

Repeat on the Right side of the vehicle.

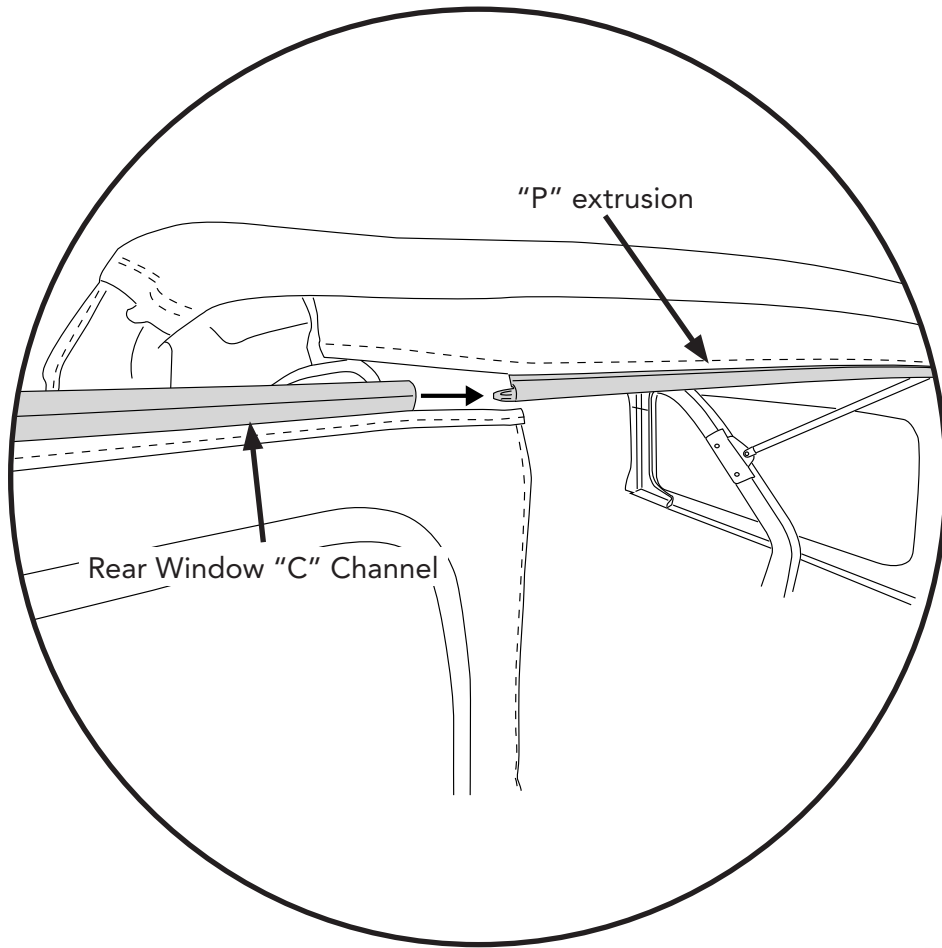




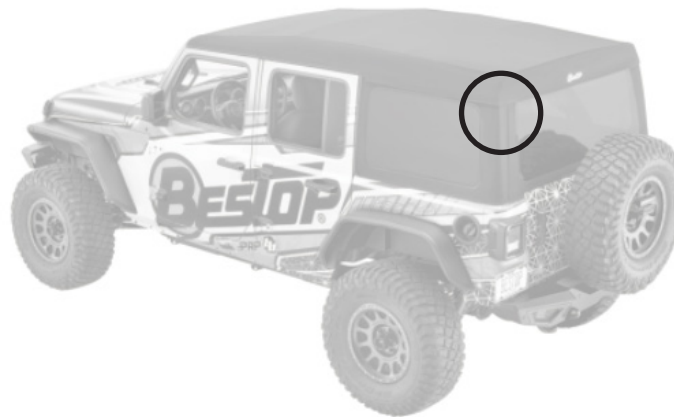
Tuck the plastic tab at the bottom rear corner of each Quarter Window under the Jeep belt rail.
Roll the tab on each side up underneath the Jeep belt rail.

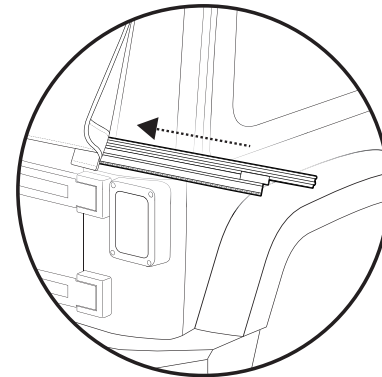
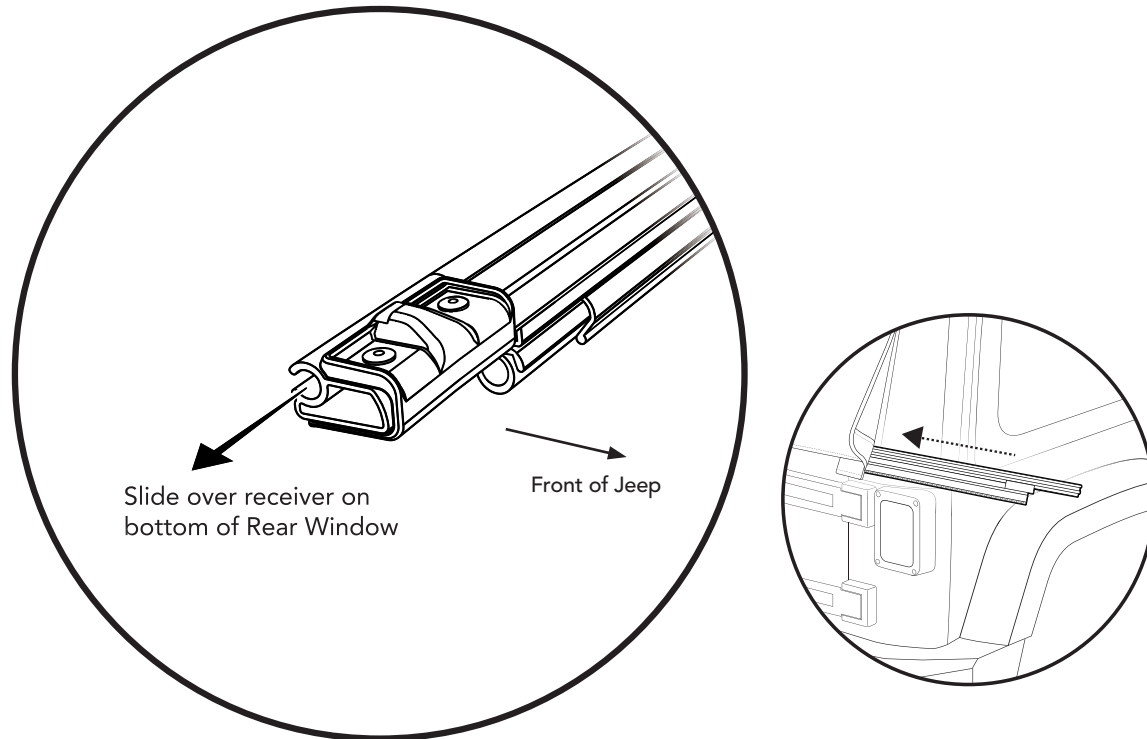


Secure the bottom edge of each Quarter Window.
Tuck the plastic flap along the bottom edge of each window under the Jeep belt rail along the entire length of the flap, from front to back.

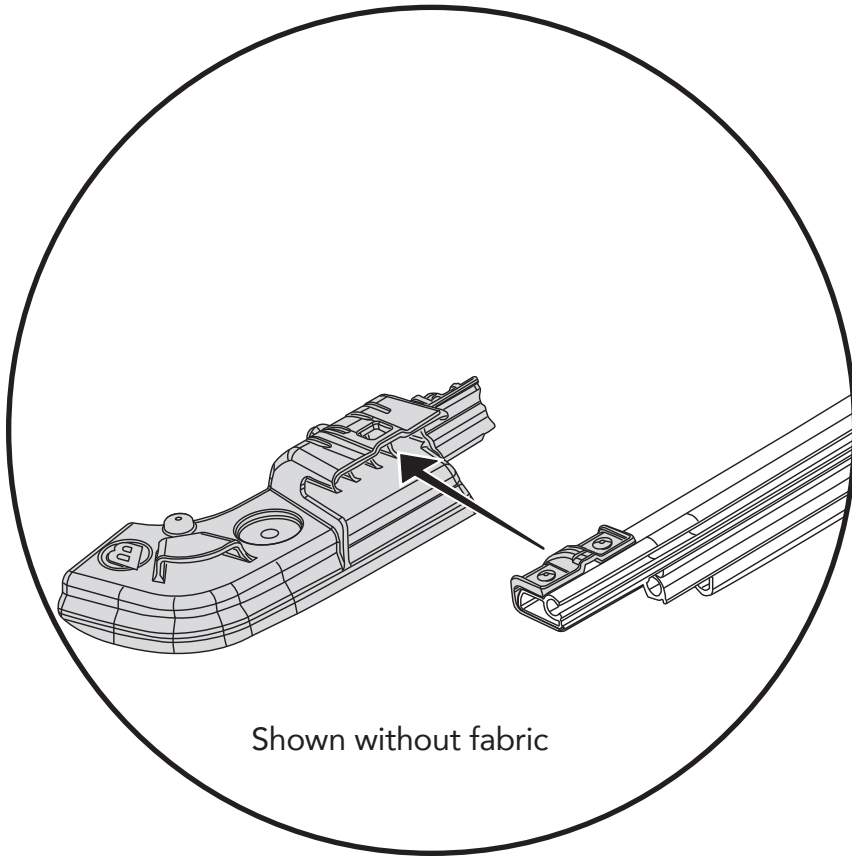


Slide the "C" channel from the top of the Rear Window onto the "P" extrusion located along the top of the rear window opening on the Top Fabric assembly.

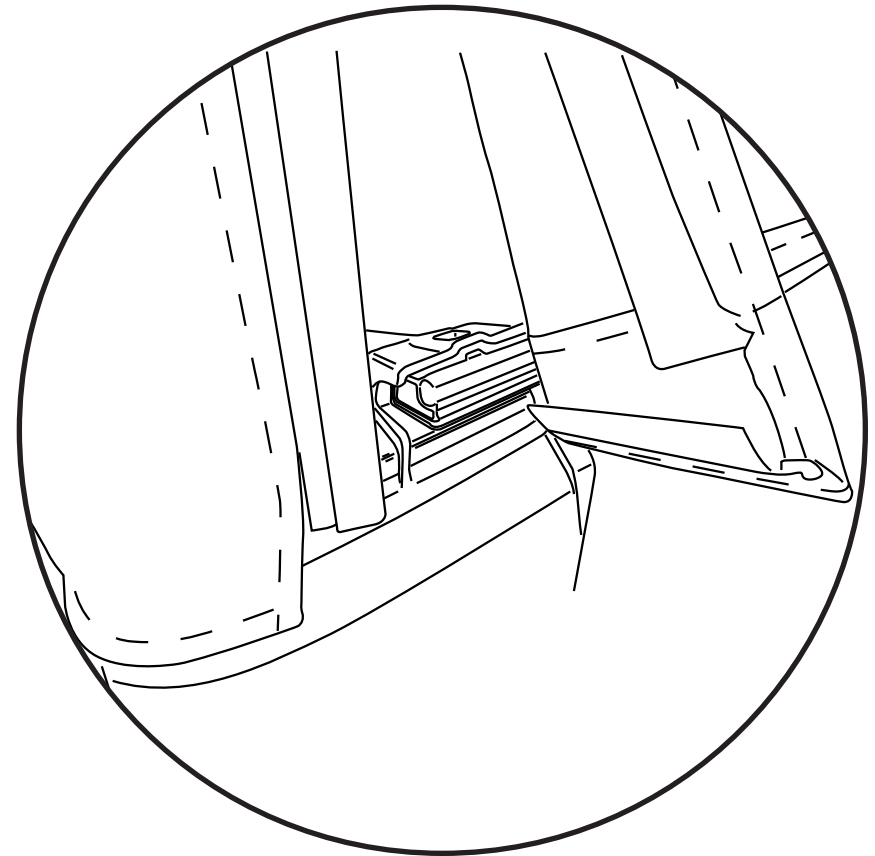




Attach the Tailgate Bar to the Rear Window.
Slide the Tailgate Bar channel over the sewn-in receiver tube on the lower inside of the Rear Window.



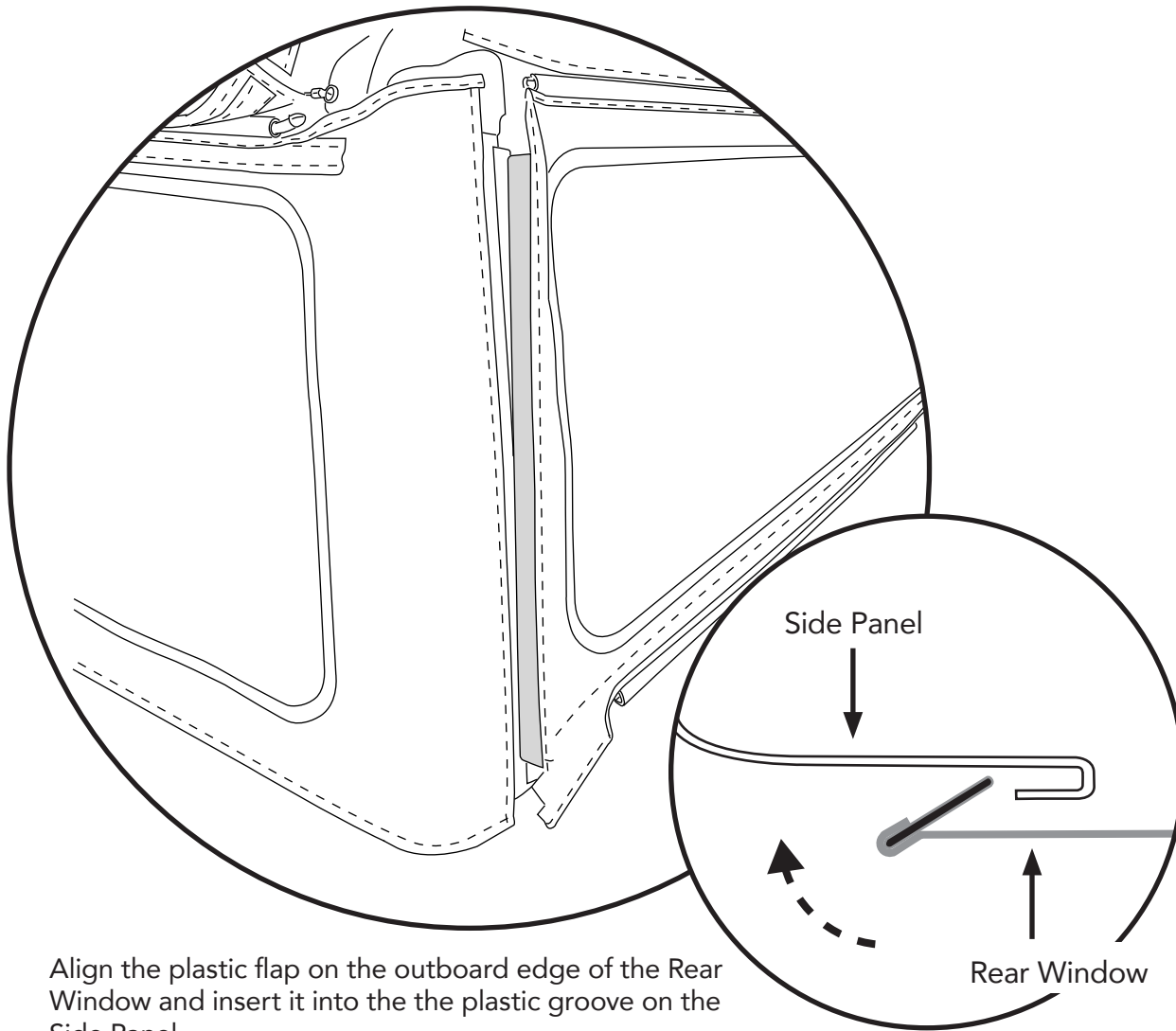
Shown without fabric



Press the plastic clips (Both sides of the tailgate bar) into the Tailgate Bar Retainer.

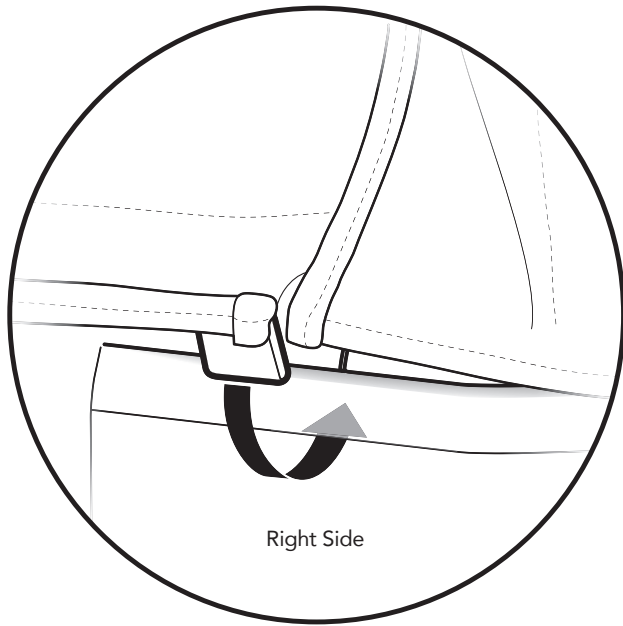
Align both ends of the Tailgate Bar in the openings of the Tailgate Bar Retainers on the vehicle.



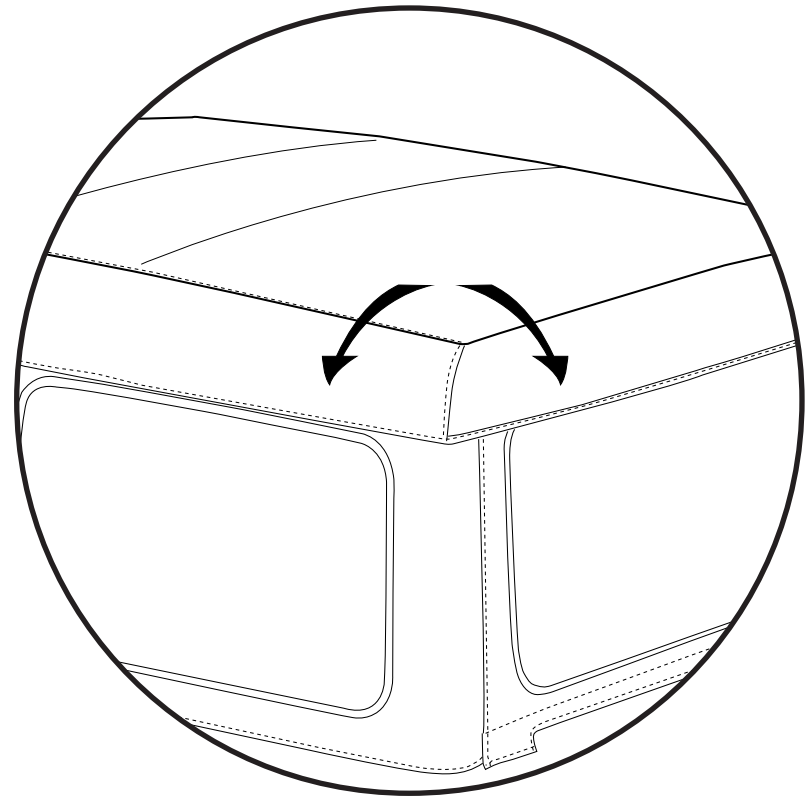


Align the plastic flap on the outboard edge of the Rear Window and insert it into the the plastic groove on the Side Panel.

Repeat on the right side of the vehicle.



Tuck the plastic tabs at the bottom corners of the Rear Window under the Jeep belt rail.
Roll the tabs up underneath the belt rail.



Fold the rear corners of the top down and connect the hook and loop across the top of the side panels.



Care and Maintenance of your Bestop Product

Your Bestop product is made of the finest materials available. To keep it looking new and for the maximum possible wear, it will need periodic cleaning and maintenance.

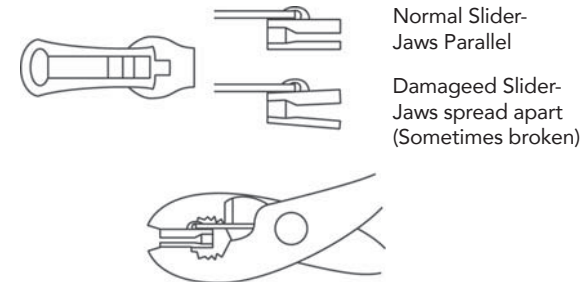
Fabric: The fabric should be washed often using soap, warm water and a soft bristle brush. Rinse with clear water to remove all traces of soap. Bestop recommends using Bestop Cleaner (part no. 11201-00) and Bestop Protectant (part no. 11202-00) for Vinyl fabric and Bestop Twill Protectant (part no. 11207-00) for Twill fabric. Bestop Cleaner and Bestop protectant are specially formulated to provide a total cleaning and protection system. Bestop Cleaner safely removes the toughest stains, will not harm vehicle finishes, is biodegradable and environmentally friendly. Bestop Protectant protects against UV-fading, cracking and hardening, and repels dust, grease, dirt and mildew.

Windows: Keep windows clean to avoid scratching. DO NOT use a brush on the windows! Wash with a water-soaked cloth or sponge and a mild dishwashing detergent. Bestop recommends Bestop Vinyl Window Cleaner (part no. 11203-00), which safely cleans and protects vinyl windows and helps prevent UV damage. NEVER WIPE THE WINDOWS WHEN THEY ARE DRY. Be careful when cleaning snow or frost from the vinyl windows since they are easily scratched and may crack at low temperatures. DO NOT roll the sides or rear window in cold weather. The windows become stiff and will crack. Cracks caused by misuse in cold temperatures are not covered under warranty.

Water: Seeping through at the seams may be stopped by applying 3-M Scotchgard® on the inside of the seams.

Snaps: Keep snaps cleaned and lubricated with silicone to help prevent snaps from sticking to the studs. If a snap does become stuck to a stud, use a screwdriver and GENTLY pry apart to prevent permanent damage to the snap or the top fabric.

Zippers: Keeping zippers cleaned and lubricated with Bestop's Zipper Cleaner (part no. 11206-00) will help prevent damage and keep the zippers in smooth working condition. If a zipper opens behind the slider, the slider may have been spread apart. This problem can usually be repaired by using an ordinary pair of pliers to bring the sides back into parallel. Return slider to the end of the zipper in the normal Open position. Squeeze lightly at first and test the zipper. If the zipper continues to remain open squeeze more firmly with the pliers and try the zipper again. Repeat this procedure until the zipper operates correctly.



For Bestop Warranty Information, Please go to;
<https://www.bestop.com/help/warranty-information/>

