

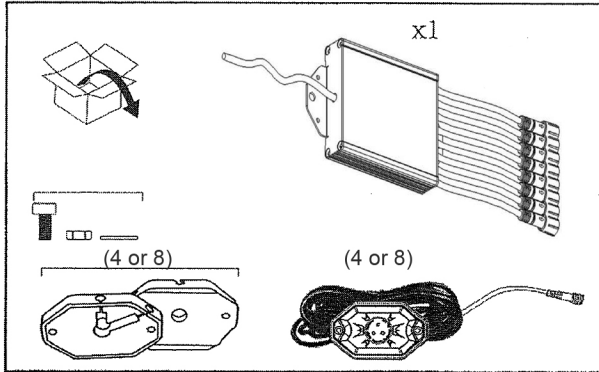


# ORACLE LIGHTING

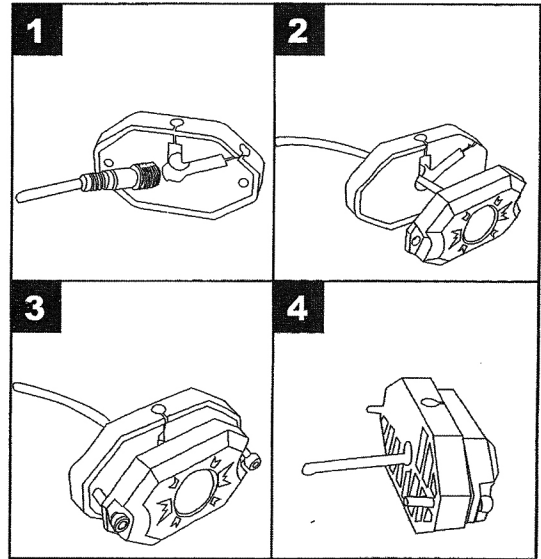
COLORSHIFT UNDERBODY ROCK LIGHT KIT  
PART #5796 / 5797 / 5818 / 5819

## USER MANUAL & INSTALLATION GUIDE

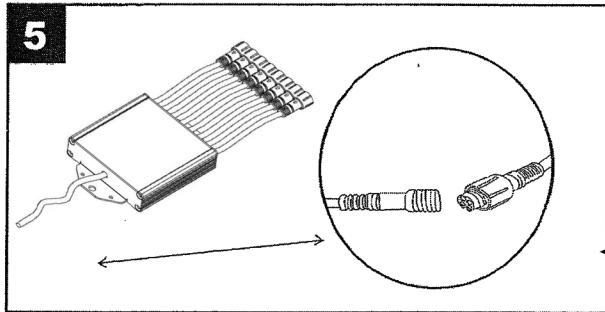
### PACKAGE CONTENTS:



### (2) TYPES OF MOUNTS FOR FLUSH OR CURVED MOUNTING APPLICATIONS



### CONNECT MODULES TO CONTROL BOX



WIRE CONTROL BOX TO 12V POWER RED (+) / BLACK (-)

### 6 Download "ORACLE ColorSHIFT" App



iPhone



Android

- 1) CONNECT THE CONTROL BOX TO 12V POWER SOURCE \*INSTALL10A FUSE ON POWER WIRE\*.
- 2) DOWNLOAD AND INSTALL THE ORACLE COLORSHIFT APP ON YOUR PHONE.
- 3) MAKE SURE BLUETOOTH IS SWITCHED "ON" WITH YOUR MOBILE DEVICE.
- 4) OPEN THE ORACLE COLORSHIFT APP.
- 5) FOLLOW THE OPERATION GUIDE FOUND IN THE APP.
- 6) ONCE THE CONTROL BOX NAME APPEARS, CLICK TO CONNECT TO IT.
- 7) THE CONNECTION WILL NOW BE SUCCESSFUL.
- 8) CLICK THE POWER ICON AT THE TOP OF THE APP TO ACTIVATE THE ROCK LIGHTS.
- 9) YOU NOW HAVE FULL CONTROL OVER YOUR COLORSHIFT UNDERBODY ROCK LIGHT KIT.

**⚠ DO NOT CUT/MODIFY ANY OF THE WIRING IN THIS KIT. DOING SO, WILL VOID THE PRODUCT WARRANTY.**  
THIS KIT IS DESIGNED TO FIT MOST VEHICLES. HOWEVER, IF YOUR VEHICLE IS OVERSIZED, WE RECOMMEND USING THE 6' \*PLUG AND PLAY\* EXTENSION CABLES (PART#5814-504) AVAILABLE FROM ORACLE LIGHTING.