



Installation & Operator's Manual

SEC15 15,000 lbs.	76-53260W (SYNTHETIC ROPE) 76-50260W (STEEL CABLE)
SEC12 12,000 lbs.	76-53251BW (SYNTHETIC ROPE) 76-50251BW (STEEL CABLE)
SEC95 9,5000 lbs.	76-53246BW (SYNTHETIC ROPE) 76-50246BW (STEEL CABLE)
SEC8 8,000 lbs.	77-53141W (SYNTHETIC ROPE) 77-50141W (STEEL CABLE)

SAFETY WARNINGS

1. **LEARN TO USE YOUR MILE MARKER WINCH:** After winch has been installed, take some time and practice using it so you will be familiar with ALL OPERATIONS. Periodically check the winch installation to ensure that all bolts are tight. To ensure proper operation, carefully inspect for any damaged parts before operating the winch.
2. **KEEP WINCHING AREA CLEAR:** Do not allow people to remain in the area during winching operations. Do not step over a taut steel cable/synthetic rope or allow anyone else to do so. Due to the possibility of steel cable/synthetic rope failure stand clear of any possible pathway. A snapped steel cable/synthetic rope could cause winch failure, injury or death. Keep proper footing and balance at all times. Do not reach over or across the winch and/or pulling steel cable/synthetic rope while the winch is in operation.
3. **INSPECT STEEL CABLE/SYNTHETIC ROPE AND EQUIPMENT FREQUENTLY:** The steel cable/synthetic rope should be inspected for damage that could reduce it's breaking strength. A frayed steel cable/synthetic rope with broken strands should be replaced immediately. Always replace the steel cable/synthetic rope with a steel cable/synthetic rope that is rated to sustain the load that the winch is capable of pulling. Any substitute must be IDENTICAL in strength, quality, lay and stranding to the Mile Marker steel cable/synthetic rope originally supplied.
4. **WORKING AREA CONDITIONS:** Keep the working area well lit. Do not use this winch in the presence of flammable gases or liquids.
5. **KEEP CHILDREN AWAY:** Keep children away from working area. Never let children operate the winch.
6. **DRESS PROPERLY:** Do not wear loose clothing or jewelry as they can be caught in moving parts. Protective, electrically non conductive clothes and non skid footwear is the only type of clothing you should be using when operating the winch. Wear restrictive hair covering to contain long hair.
7. **USE HEAVY GLOVES:** When handling or rewinding steel cable/synthetic rope always use hand protection to eliminate the possibility of cuts caused by burrs & slivers from broken strands.
8. **DRUM:** Always make sure that there are at least 5 complete turns of steel cable/synthetic rope left on the drum before winching.
9. **KEEP HANDS AND FINGERS CLEAR OF STEEL CABLE/SYNTHETIC ROPE AND HOOK WHEN OPERATING WINCH:** Do not put your finger through the hook when reeling in the last few feet. If your finger should become trapped in the hook, you could lose your finger. Do not guide a steel cable/synthetic rope under tension onto the drum with your hand.
10. **DO NOT HOOK THE STEEL CABLE/SYNTHETIC ROPE BACK ONTO ITSELF:** Hooking the steel cable/synthetic rope back onto itself creates an excessive strain that could break individual strands; this weakens the entire steel cable/synthetic rope.
11. **KEEP PULLING DURATIONS AS SHORT AS POSSIBLE:** The winch is designed for intermittent use and cannot be used in constant duty applications. Do not pull more than one minute at or near rated load. If the motor becomes too hot to touch, stop and let it cool off for a few minutes. If the motor stalls, cut off the power immediately.
12. **DO NOT OVERLOAD:** For your safety and efficient performance, always use this winch at or under its rated capacity for your safety and for better performance. Do not use inappropriate attachments in an attempt to exceed its rated capacity.
13. **AVOID CONTINUOUS PULLS FROM EXTREME ANGLES:** This will cause the steel cable/synthetic rope to pile up at one end of the drum. The steel cable/synthetic rope should be as straight as possible to the direction of the object.
14. **DO NOT OPERATE THE WINCH WITHOUT THE FAIRLEAD FITTED:** Operator injury or winch damage can result if a fairlead is not installed.
15. **STAY ALERT:** Watch what you are doing. Use your common sense. Do not use this winch when you are tired, stressed or WHEN UNDER THE INFLUENCE OF DRUGS, ALCOHOL OR MEDICATION.
16. **DISCONNECT SWITCH:** Unplug switch when not in use.
17. **REPLACEMENT PARTS & ACCESSORIES:** When servicing, use only identical replacement parts. Usage of any other parts will void the warranty. Approved accessories are available from your local distributor.
18. **DO NOT force clutch.** Rotate drum to align gears for freespool.

PRECAUTIONS

1. Keeps hands and body away from roller or hawse fairlead (steel cable/synthetic rope intake slot) when operating.
2. Secure vehicle in position before using winch.
3. Do not exceed winch load weight capacity.
4. Be certain winch is properly bolted to a structure (or vehicle) that can hold the winch load.
5. Always use proper couplings when connecting winch steel cable/synthetic rope hook to load.
6. Do not lift items vertically. The winch was designed for horizontal use only.
7. Do not overload the winch. It will do the job better at the load it was intended.
8. Do not use inappropriate attachments to extend the length of the steel cable/synthetic rope.
9. Do not lift people or hoist loads over people.
10. Do not come in between the winch and the load when operating.
11. Do not apply load to winch when steel cable/synthetic rope is fully extended. Keep at least 5 wraps of steel cable and 10 wraps of synthetic rope on the drum.
12. After moving an item with the winch, secure the item. Do not rely on the winch to hold it for an extended period.
13. Examine winch before using. Components may be affected by exposure to everyday weathering, chemicals, salts, and rust.
14. Do not fully extend steel cable/synthetic rope while under load. Keep 5 wraps of steel cable and 10 wraps of synthetic rope around the winch drum.
15. When loading a boat into a trailer without reel or side hull rollers, make sure the trailer is submerged in the water when the boat is loaded by the winch. Attempting to drag the boat on to the trailer while on land can cause winch failure and possible injury.
16. Do not operate winch if steel cable/synthetic rope shows any signs of weakening, is knotted or kinked.
17. Winch does not have a locking mechanism. Secure load after moving.
18. Do not cross over or under the steel cable/synthetic rope while it is in process of loading.
19. Do not move vehicle with steel cable/synthetic rope extended and attached to load to pull it. The steel cable/synthetic rope could snap.
20. Apply blocks (such as a wheel choke) to vehicle when parked on an incline.
21. Respool steel cable/synthetic rope properly.

GETTING STARTED

Winch Mounting

NOTE: Mile Marker recommends the use of its Mile Marker mounting systems for proper winch installation and optimum winch performance. However, if not using a Mile Marker mounting system, make sure the mounting platform being used is strong enough to meet the maximum rated load of the winch. Mile Marker recommends steel plates with a thickness of at least 0.25”.

Your winch should be aligned and secured to a solid part of the vehicle (front or rear) where the full rated load will be evenly distributed

CAUTION: It is essential that the mounting surface be flat and that the winch is mounted so the three major sections (gear housing end, drum, and motor end) are in proper alignment.

1. If necessary, drill four mounting holes (10mm in dia.), in a 10” x 4.5” pattern
2. Fasten the winch body to the mounting platform using the four screws, washers and spring washers (see parts breakdown & assembly for each winch) provided
3. Torque the capscrews to about 35 ft-lb (47.5 N-m)
4. All Mile Marker mounting systems come pre-drilled with fairlead holes. If you are using any other mounting platform, drill two holes for the roller fairlead installation. Position the holes so the fairlead opening hole stretches from the circumference of the drum to the end of the maximum permissible layers on the drum in the direction cable is being rolled.

CAUTION: When replacing the cap screws or when longer bolts are required, make sure you use bolts grade 5 or greater

CLOCKING INSTRUCTIONS

Winch gear housing can be clocked in 8 positions, enabling the user to position the clutch lever at 8 equidistant locations (0°, 45°, 90°360°). (Fig. 1-1)

1. Remove gear housing from tie bars (Fig. 1-2)
2. Remove the 8 bolts in the gear housing leg (Fig. 1-3)
3. Separate leg and gear housing. A slight tap with a hammer might be needed (Fig. 1-4)
4. Place gear housing leg in the angle desired and screw in bolts (Fig. 1-5) Torque to spec
5. Properly slide drive shaft in the gear housing and line drum into drive gear (Fig. 1-6)
6. Re-attach tie bars to gear housing leg by using the same process as step 1, in reverse order (Fig. 1-2)



Fig. 1-1



Fig. 1-2



Fig. 1-3



Fig. 1-4



Fig. 1-5

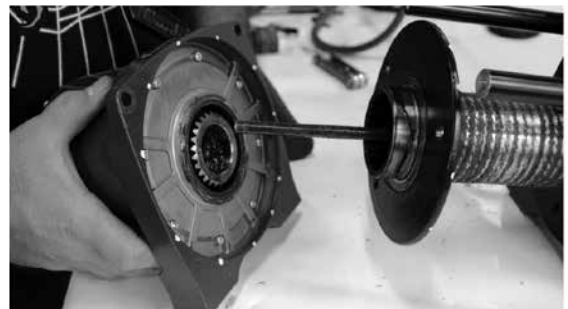


Fig. 1-6

CONTROL BOX INSTALLATION

NOTE: For best results, Mile Marker recommends mounting the control box to the winch, either over the motor or over the tie bars. If you choose to mount the control box within your vehicle, ensure that the location does not interfere with any moving or functioning parts of your vehicle and that electrical cables with similar specifications to Mile Marker's are used.

Tools Required for Control Box Installation

1. Wrenches: 14mm, 10mm, metric Allen wrench set, pair of snips
2. General hand tools

Mounting Control Box on Motor

If you choose to mount your control box on the winch motor, please follow the following steps

1. Mount the control box to mounting brackets using 10 mm wrench (Fig 2-2 & 2-3)
2. With mounting bracket attached to control box, locate the mounting points on the side of the motor die casting (Fig. 2-4)
3. With the control box placed on the motor, screw in the bolts to the mounting points (Fig. 2-5)
4. Attach the Tie Wrap around the small bracket to hold it down and clip the excess length (Fig. 2-6 & 2-7)



Fig. 2-1



Fig. 2-2



Fig. 2-3



Fig. 2-4



Fig. 2-5



Fig. 2-6



Fig. 2-7

Mounting Control Box on Tiebars

1. Mount the control box to mounting brackets using 10 mm wrench (Fig 2-8)
2. Mount control box on the tie bars by attaching front end first and pushing down to snap in the back end (Fig. 2-9)
3. Locate the two extra pieces for the tie bars mounting brackets (Fig. 2-10)
4. Screw in these pieces to the rear side of the tie bar bracket using a Phillips Head Screw Driver (Fig. 2-11)



Fig. 2-8



Fig. 2-9



Fig. 2-10



Fig. 2-11

WIRING INSTRUCTIONS

Wiring the Control Box

1. Slip the boots onto pertinent cables and make electrical connection in accordance with the schematic on following page. Slide the boots onto all the electrical connections made (Fig. 2-12 through 2-14).
2. Run battery power cables carefully under hood of vehicle, avoiding interference with moving parts and abrasion points which could potentially cause electrical short.
3. Attach BLACK Cable to NEGATIVE Battery Terminal (-), followed by RED Cable to POSITIVE Battery Terminal (+) (Fig. 2-14). Refer to Winch Operation on page 8 of this manual for proper functioning; if drum rotates in the incorrect direction when "IN" button is pressed, green and yellow motor cables need to be switched.

CAUTION: Cover all exposed electrical connections with insulation boots to avoid electrical short. Battery cables should not be drawn taut; leave some slack for cable movement. Ensure all connections are routed properly and do not interfere with the vehicular components, as this could damage cable or cause electrical short. Long battery cable runs may have significant voltage drops that may cause the winch motor to not operate.

DO NOT CONNECT POWER CABLES TO BATTERY UNTIL FINAL STEP OF INSTALLATION

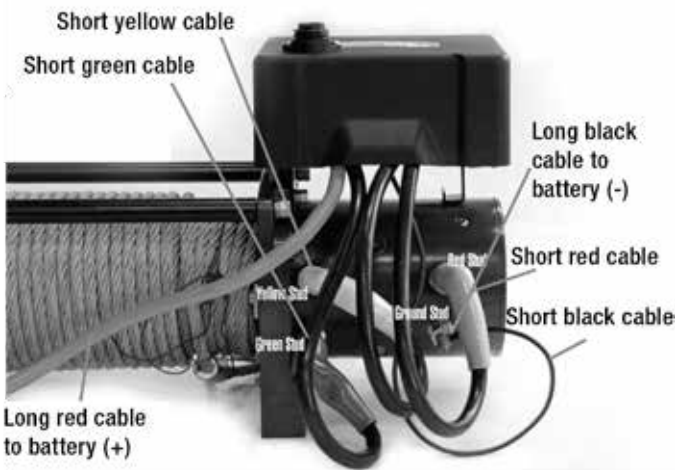


Fig. 2-12

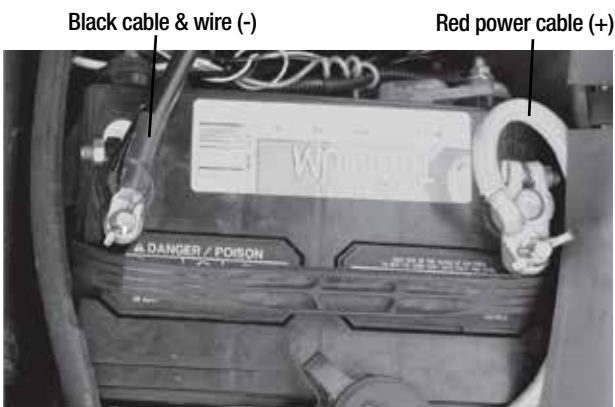
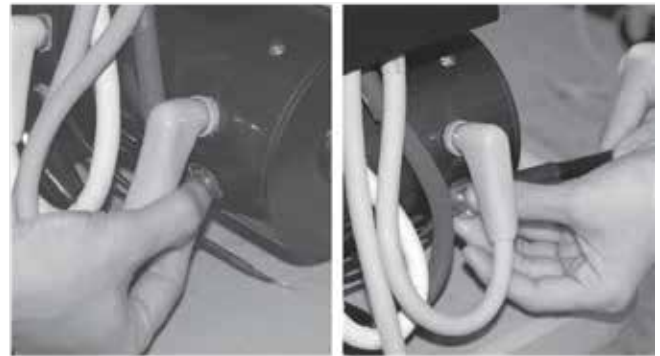


Fig. 2-14

WINCH OPERATION

Operational Instructions

1. Disengage the clutch by moving the Clutch Lever to Disengage Position (or Freespool mode) (Fig. 3-1)
2. Free Spool the cable and connect to the desired anchor point (self recovery) or vehicle being recovered
3. Fully Engage the clutch by moving the Clutch Lever to Engage Position (Fig. 3-1)
4. Lift the protective boot covering the hand control plug-in. Insert the hand control plug
5. Rotate the red Kill Switch from the "OFF" position, to the "ON" position (Figs. 3-2 & 3-3)
6. Start winching IN (Fig. 3-2) to remove the slack on the cable, ensuring that the cable is winding onto the drum properly (with out any overlapping or gaps). Never disengage the clutch while the cable is under load.
7. When finished winching, let off the load by winching OUT (Fig. 3-2). With adequate slack created, unhook the cable and rewind the cable onto the drum.

NOTE: Mile Marker recommends a fully charged, 12V battery with a minimum of 650 cold-cranking amperes. Recommended: keep engine running during winch operation to continuously charge battery.

NOTE: All Mile Marker winches are equipped with a clutch lever that engages/disengages the clutch. When engaged, the clutch will couple the gear train and the winch drum to lock the winch. When disengaged, the clutch de-couples the gear train from the winch drum, enabling the drum to rotate independently or free spool.

CAUTION: Before using your new Mile Marker electric winch, rewind the entire steel cable/synthetic rope on the drum under a load of at least 500 lbs (227 kg) starting with at least 5 wraps of steel cable, or 10 wraps of synthetic rope on the initial layer. Failure to do so will result in the outer wraps pressing against the inner wraps, damaging the steel cable/synthetic rope. Always have at least 5 wraps of steel cable, or 10 wraps of synthetic rope on the winch drum BEFORE winching and make sure the clutch is fully engaged or fully disengaged to avoid any injuries or damages. Electric winches are for intermittent use only. Never run the winch for more than 1 minute at maximum rated load and wait until the motor cools down before resuming winch operations. To reduce the load on a winch motor, the use of a snatch block is recommended (see pages 9 and 10, Winching Tips & Techniques for snatch block usage). This winch model also features an automatic load holding brake, so never run the winch against the brake ("OUT" on the hand control) for more than 10 seconds. Failure to do so might result in damage to the brake and motor. Always stay clear of the loaded winch steel cable/synthetic rope.



Fig. 3-1



Fig. 3-2

WINCHING TIPS & TECHNIQUES

Winching Tips and Use of a Snatch Block

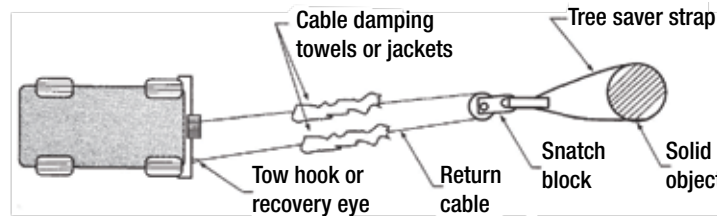
- Use tow hooks, recovery eyes or a clevis mount for attachment of a tow strap or winch steel cable/synthetic rope.

Warning: Do not use a ball and/or ball mount as an anchor point for tow strap or winch steel cable/synthetic rope. Severe personal injury or death could occur.

- Always heed all winch manufacturer's recommendations, cautions, and warnings.

- Attach return steel cable/synthetic rope to tow hook or recovery eye when using a snatch block. Always use a clevis to secure snatch block to strap, or severe damage could occur to persons and vehicle.

CAUTION: Do not attach return steel cable/synthetic rope to winch mount. This may overload winch mount and/or front receiver.

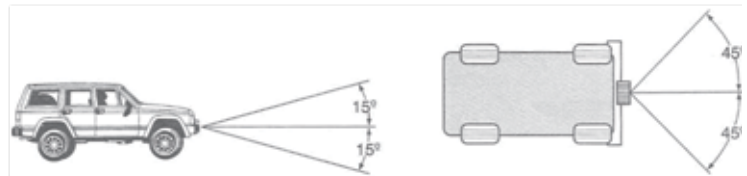


Rating

For maximum line pull rating, winch cable direction must not exceed:

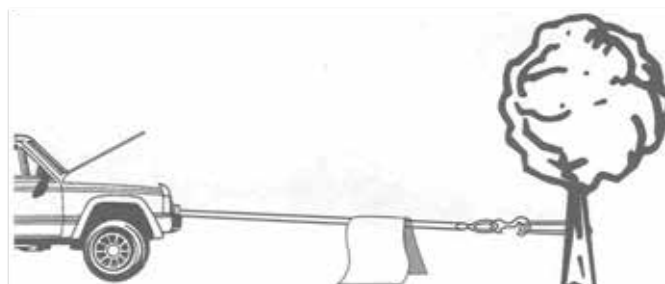
1. 15° angle up or down from horizontal (see image to right)
2. 45° angle left or right from straight ahead (see image to right)

Caution: Exceeding the maximum line pull rating may overload winch, winch mount, and/or front mounted receiver.



Safety Tips

- DO NOT DISENGAGE CLUTCH LEVER WHEN THERE IS A LOAD ON THE WINCH. Mile Marker electric winches utilize an automatic load holding brake, therefore no adjustment to clutch is needed to maintain load.
- Store the remote control cord in a safe place when not in use to prevent use by children or other unauthorized persons who could injure themselves or others or damage the controls
- Do not operate winch under the influence of drugs, alcohol, or medication
- Isolate winch before putting hands in or around the roller/hawse fairlead or drum
- DO NOT OVERLOAD YOUR WINCH. Do not maintain power to the winch if the drum stops. Overloads can damage the vehicle, winch or winch steel cable/synthetic rope and create unstable operating conditions.
- It is recommended to lay a dampener over the steel cable/synthetic rope about halfway along to the hook attachment. If a steel cable/synthetic rope failure should occur, the weight of the dampener will help prevent the broken steel cable/synthetic rope from whipping. Remember to move the dampener as winching proceeds, but halt winching when doing so. Partially raising the hood of the vehicle will also give a measure of protection to its occupants from broken steel cable/synthetic rope, consistent with sufficient forward visibility for the operator.

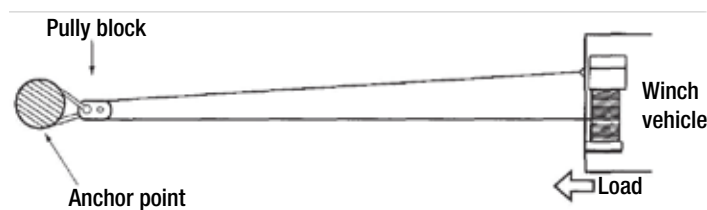


Self Recovery

1. Always attempt to get the steel cable/synthetic rope as straight as possible to the direction of the vehicle. It is acceptable to start a pull at an angle if it is obvious that the vehicle will turn towards the hook anchoring point. Turning the steering wheel will assist the process. It is recommended that the driver is in the vehicle.
2. Make sure hand brake and foot brake are free and that the transmission is in neutral
3. When the driver's attempt to regain vehicle traction is successful, he or she should be careful not to overrun the cable and risk the possibility of it being trapped under the vehicle
4. DO NOT move your vehicle in reverse to assist the winch. The combination of the winch and vehicle pulling together could overload the cable and winch itself.
5. DO NOT connect steel cable/synthetic rope or hook back to winch mount

Use of a Pulley Block or Snatch Block

Vehicle self recovery using the pulley block attached to the anchor point for direct pull. In this instance the vehicle becomes the "load" and the actual pulling power on the vehicle will be double at half winch steel cable/synthetic rope speed. Do not connect steel cable/synthetic rope or hook back to winch mount.

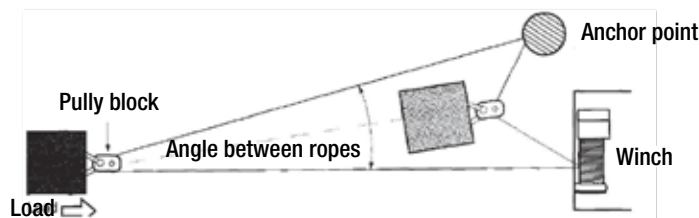


Direct pull on load using the winch vehicles as the anchor with pulley block attached to the load. The most important aid to successful winching is the pulley block, which can be used to increase the pulling power of the winch of for indirect pulls. Pulley blocks can be used in two modes. First mode is attached to the load and second is secured to an anchor point.



Indirect pull necessitated by obstructions or soft ground. Attach pulley block to load using a suitable anchor point.

NOTE: The angled direction taken by the load and subsequent angle of steel cable/synthetic rope feed back on the winch drum (extreme example shown). There may be unavoidable circumstances requiring this mode, though in general it is not recommended unless applied in stages by moving the anchor point or vehicle to avoid the sharp angled rewind on the winch drum. The actual load pulling power and steel cable/synthetic rope speed will depreciate with any increased angle between the steel cables/synthetic ropes. The anchor point, when used must be secure, using a tree, another vehicle or any firm structure to which a pulley block can be used to your advantage.



Use of a Nylon Sling and Shackle

The safe working load of the nylon sling is based on the use of both eye ends. Do not use the cable or hook to connect directly to the nylon sling. A shackle should always be used when attaching winch hooks to nylon slings. NOTE: The shackle must pass through both eyes of the sling.

WINCH MAINTENANCE

- All moving parts within the electric winch have been lubricated using high temperature lithium grease at the factory. No further internal lubrication is required for the life of the winch.
- If using steel cable, lubricate the steel cable periodically using light penetrating oil
- Electrical connections may corrode over a period of time due to environmental changes. This may result in reduced performance of the winch or even possible electrical shorting. Hence, always clean the electrical connections before and after using the winch.
- After every use of the winch, inspect the steel cable/synthetic rope for damages such as kinks, broken strands etc. When damaged, replace the cable immediately.

TROUBLESHOOTING

Symptom	Possible Cause	Suggested Remedy
Motor does not turn on	Safety switch is OFF	Turn safety switch ON
	Switch assembly not connected properly	Insert switch assembly firmly to the connector
	Loose battery cable	Tighten nuts on cable connectors
	- Connection - Solenoid malfunctioning	Tap solenoid to free contact, applying 12 volts to coil terminal directly. An audible clicking will occur when activating.
	Defective switch assembly	Replace switch assembly
	Defective motor	Check for voltage at armature port with switch pressed. If voltage is present, replace motor.
	Water has entered motor	Drain and dry. Run in short bursts without load until completely dry.
Motor runs too hot	Long period of operation	Let winch cool down periodically
Motor runs slowly or without normal power	Battery runs down	Recharge battery by running vehicle engine
	Insufficient current or voltage	Clean, tighten or replace the connector
Motor runs but cable drum does not turn	Clutch not engaged	Turn clutch gear to IN/ENGAGED position - if that does not work, ask a qualified technician to check and repair
Motor runs in one direction only	Defective or stuck solenoid	Tap solenoid to free contacts. Repair or replace solenoid.
	Defective switch assembly	Replace switch assembly

WINCH FEATURES & SPECS

SEC15



*Steel Cable 76-50260W
Synthetic Rope 76-53260W

FEATURES:

- 6.8 HP Series Wound Motor
- Rugged Planetary Gear Sets
- Clockable Gear Housing
- Fast Line Speeds
- Submersible, 400 Amp Solenoid
- Automatic Load Holding Brake
- Corrosion Resistant Stainless Steel Fasteners
- 79' Steel Cable or 78' Synthetic Rope
- Aluminum Hawse or Roller Fairlead
- Waterproof
- Handheld Remote Control
- Includes 15' Recovery Strap

SPECIFICATIONS (15K):

Rated Line Pull	15000 lbs (6803 kgs)
Gear Train	3 Stage planetary
Gear Ratio	294:1
Motor	Series wound, 6.8 hp (5 kw), 12 Volt 24 Volt available
Remote	Power in, Power out with 12' cable (3.7 m)
Dimensions (LxWxH)	22" X 6.3" X 8.3" (558 mm X 160 mm X 211 mm)
Steel Cable	025/64" X 72' (010 mm X 22 m) (16,409 lb. breaking strength)
Synthetic Rope	3/8" X 78' (9.5 mm X 23.7 m) (18,078 lb. breaking strength)
Drum Size Diameter x Length	2.9" X 8.9" (75 mm X 226 mm)
Net Weight Synthetic Rope	63 lbs (28.5 kgs)
Net Weight Steel Cable	85 lbs (38.5 kgs)
Bolt Pattern	4 bolt pattern, 4.5" x 10" (114.3 mm X 254 mm)

PERFORMANCE (15K):

Line Pull		Line Speed		Motor Current
lb	kg	fpm	mpm	amps @ 12 V
0	0	16.7	5	120
4000	1816	12	3.7	202
6000	2724	10.5	3.2	225
8000	3632	9.2	2.8	250
10000	4540	7.9	2.4	310
12000	5448	6.6	2	355
15000	6810	5.9	1.8	420

* PICTURED

WINCH FEATURES & SPECS

SEC12

SEC95



*Steel Cable 76-50251BW
Synthetic Rope 76-53251BW



*Steel Cable 76-50246BW
Synthetic Rope 76-53246BW

SPECIFICATIONS (12K):

Rated Line Pull	12000 lbs (5443 kg)
Gear Train	3 Stage planetary
Gear Ratio	294:1
Motor	Series wound, 4.9 hp (3.6 kw), 12 Volt, 24 Volt available
Remote	Power in, Power out with 12' cable (3.7 m)
Dimensions (LxWxH)	20.8" X 6.34" X 7.86" (528 mm X 161 mm X 200 mm)
Steel Cable	3/8" X 100' (9.5 mm X 30.5 m) (14,400 lb. breaking strength)
Synthetic Rope	3/8" X 92' (9.5 mm X 28 m) (18,078 lb. breaking strength)
Drum Size Diameter X Length	2.6" X 8.35" (67 mm X 212 mm)
Net Weight Synthetic Rope	48 lbs (30.39 kg)
Net Weight Steel Cable	67 lbs (41.73 kg)
Bolt Pattern	4 Bolt pattern, 4.5" x 10" (114.3 mm X 254 mm)

PERFORMANCE (12K):

Line Pull	Line Speed	Motor Current
lb kg	fpm mpm	amps @ 12 V
0 0	16.4 5	85
4000 1816	8.8 2.7	160
6000 2724	7.5 2.3	191
8000 3632	6.7 2	235
10000 4540	5.6 1.7	270
12000 5448	4.9 1.5	320

SPECIFICATIONS (9.5K):

Rated Line Pull	9500 lbs (4309 kg)
Gear Train	3 Stage planetary
Gear Ratio	210:1
Motor	Series wound, 4.9 hp (3.6 kw), 12 Volt, 24 Volt available
Remote	Power in, Power out with 12' cable (3.7 m)
Dimensions (LxWxH)	20.8" X 6.34" X 7.86" (528 mm X 161 mm X 200 mm)
Steel Cable	3/8" X 100' (9.53 mm X 30.5 m) (14,400 lb. breaking strength)
Synthetic Rope	3/8" X 92' (9.5 mm X 28 m) (18,078 lb. breaking strength)
Drum Size Diameter X Length	2.64" X 8.7" (67 mm X 222mm)
Net Weight Synthetic Rope	48 lbs (30.39 kg)
Net Weight Steel Cable	67 lbs (41.73 kg)
Bolt Pattern	4 Bolt pattern, 4.5" x 10" (114.3 mm X 254 mm)

PERFORMANCE (9.5K):

Line Pull	Line Speed	Motor Current
lb kg	fpm mpm	amps @ 12 V
0 0	21 6.4	86
2000 908	11 3.4	150
4000 1816	8.8 2.7	205
6000 2724	7.5 2.3	235
8000 3632	6 1.8	252
9500 4313	4.3 1.3	330

FEATURES:

- 4.9 HP Series Wound Motor
- Rugged Planetary Gear Sets
- Clockable Gear Housing
- Fast Line Speeds
- Submersible, 400 Amp Solenoid
- Automatic Load Holding Brake
- Corrosion Resistant Stainless Steel Fasteners
- 100' Steel Cable or 92' Synthetic Rope
- Aluminum Hawse or Roller Fairlead
- Waterproof
- Handheld Remote Control

* PICTURED

WINCH FEATURES & SPECS

SEC8



*Steel Cable 77-50141W
Synthetic Rope 77-53141W

FEATURES:

- 4.9 HP Series Wound Motor
- Rugged Planetary Gear Sets
- Clockable Gear Housing
- Fast Line Speeds
- Submersible, 400 Amp Solenoid
- Automatic Load Holding Brake
- Corrosion Resistant Stainless Steel Fasteners
- 100' Steel Cable or 92' Synthetic Rope
- Aluminum Hawse or Roller Fairlead
- Waterproof
- Handheld Remote Control

SPECIFICATIONS (8K):

Rated Line Pull	8000 lbs (3629 kg)
Gear Train	3 Stage planetary
Gear Ratio	150:1
Motor	Series wound, 4.9 hp (3.6 kw), 12 V 24 Volt available
Remote	Power in, Power out with 12' cable (3.7 m)
Dimensions (LxWxH)	20.8" X 6.34" X 7.86" (528 mm X 161 mm X 200 mm)
Steel Cable	5/16" X 92' (7.94 mm X 28 m) (9,800 lb. breaking strength)
Synthetic Rope	5/16" X 92' (7.94 mm X 28 m) (13,228lb. breaking strength)
Drum Size Diameter X length	2.5" X 8.3" (63 mm X 222 mm)
Net Weight Synthetic Rope	49 lbs (37 kg)
Net Weight Steel Cable	63 lbs (31.75 kg)
Bolt Pattern	4 bolt pattern, 4.5" x 10" (114.3 mm X 254 mm)

PERFORMANCE: (8K)

Line Pull		Line Speed		Motor Current
lb	kg	fpm	mpm	amps @ 12 V
0	0	38.1	11.6	70
2000	908	14.1	4.3	136
4000	1816	12.5	3.8	198
6000	2724	9.8	3	264
8000	3632	8.2	2.5	284

* PICTURED

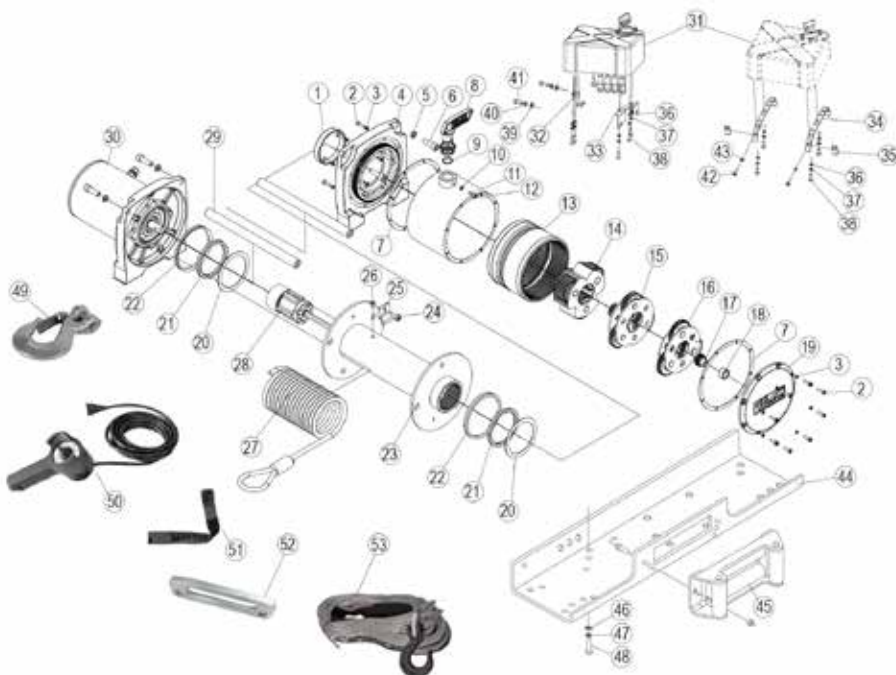
PARTS BREAKDOWN & ASSEMBLY

SEC15

ITEM	QTY	PART#	DESCRIPTION	ITEM	QTY	PART#	DESCRIPTION
1	1	77-50141W-01	Dry Bearing	27	1	76-50260W-27	* Steel Cable
2	16	77-50141W-02	Screw M4 x 12	28	1	76-50260W-28	Brake/Shaft Assembly
3	16	77-50141W-03	Spring Washer M4	29	2	77-50141W-29	Tie Bar
4	1	77-50141W-04	End Bearing	30	1	76-50260W-30	Motor End
5	4	77-50141W-05	Spring Washer M8	31	1	76-50260W-31	Solenoid Assembly
6	4	77-50141W-06	Screw M8 x25	32	1	77-50141W-32	Solenoid Bracket 1
7	2	77-50141W-07	Gasket	33	1	77-50141W-33	Solenoid Bracket 2
8	1	77-50141W-08	Clutch Handle	34	2	77-50141W-34	Solenoid Bracket 3
9	1	77-50141W-09	Seal	35	2	77-50141W-35	Solenoid Bracket 4
10	1	77-50141W-10	Spring Washer	36	5	77-50141W-36	Washer M6
11	1	77-50141W-11	Gear Ring	37	5	77-50141W-37	Spring Washer M6
12	1	77-50141W-12	Retaining Screw	38	5	77-50141W-38	Screw M6 x 16
13	1	77-50141W-13	Gear Ring - input/intermediate	39	2	77-50141W-39	Washer M6
14	1	77-50141W-14	Gear Carrier Assembly - output	40	2	77-50141W-40	Spring Washer M6
15	1	76-50260W-15	Gear Carrier Assembly - intermediate	41	2	77-50141W-41	Screw M6 x 12
16	1	76-50260W-16	Gear Carrier Assembly - input	42	2	77-50141W-42	Screw M6 x 16
17	1	76-50260W-17	Gear - input sun	43	2	77-50141W-43	Spring Washer M5
18	1	77-50141W-18	Gear Bushing	44	1	77-50141W-44	Mount Channel (Optional)
19	1	77-50141W-19	Gear Box Cover	45	1	77-50141W-45	* Roller Fairlead
20	2	77-50141W-20	Spacer	46	4	77-50141W-46	Washer
21	2	77-50141W-21	Ring	47	4	77-50141W-47	Spring Washer
22	2	77-50141W-22	Seal Ring	48	4	77-50141W-48	Screw
23	1	76-50260W-23	Drum Assembly	49	1	76-50260W-49	Safety Hook
24	1	77-50141W-24	Screw	50	1	77-50141W-50	Switch Assembly
25	1	77-50141W-25	Cable Anchor	51	1	77-50141W-51	Hand Strap
26	1	77-50141W-26	Screw	52	1	19-52001	** Hawse Fairlead
				53	1	19-52038-78C	** Synthetic Rope

* Included with steel cable model PN 76-50260W

** Included with synthetic rope model PN 76-53260W

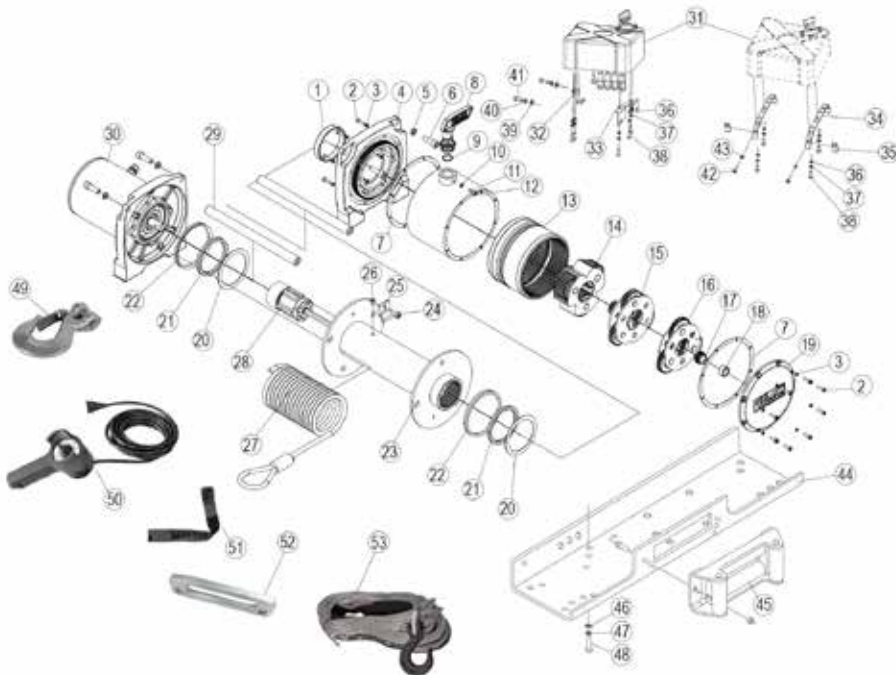


PARTS BREAKDOWN & ASSEMBLY

SEC12

ITEM	QTY	PART#	DESCRIPTION	ITEM	QTY	PART#	DESCRIPTION
1	1	77-50141W-01	Dry Bearing	27	1	76-50256BW-27	* Steel Cable
2	16	77-50141W-02	Screw M4 x 12	28	1	77-50141W-28	Brake/Shaft Assembly
3	16	77-50141W-03	Spring Washer M4	29	2	77-50141W-29	Tie Bar
4	1	77-50141W-04	End Bearing	30	1	77-50141W-30	Motor End
5	4	77-50141W-05	Spring Washer M8	31	1	77-50141W-31	Solenoid Assembly
6	4	77-50141W-06	Screw M8 x25	32	1	77-50141W-32	Solenoid Bracket 1
7	2	77-50141W-07	Gasket	33	1	77-50141W-33	Solenoid Bracket 2
8	1	77-50141W-08	Clutch Handle	34	2	77-50141W-34	Solenoid Bracket 3
9	1	77-50141W-09	Seal	35	2	77-50141W-35	Solenoid Bracket 4
10	1	77-50141W-10	Spring Washer	36	5	77-50141W-36	Washer M6
11	1	77-50141W-11	Gear Ring	37	5	77-50141W-37	Spring Washer M6
12	1	77-50141W-12	Retaining Screw	38	5	77-50141W-38	Screw M6 x 16
13	1	77-50141W-13	Gear Ring - input/intermediate	39	2	77-50141W-39	Washer M6
14	1	77-50141W-14	Gear Carrier Assembly - output	40	2	77-50141W-40	Spring Washer M6
15	1	76-50251BW-15	Gear Carrier Assembly - intermediate	41	2	77-50141W-41	Screw M6 x 12
16	1	76-50251BW-16	Gear Carrier Assembly - input	42	2	77-50141W-42	Screw M6 x 16
17	1	76-50251BW-17	Gear - input sun	43	2	77-50141W-43	Spring Washer M5
18	1	77-50141W-18	Gear Bushing	44	1	77-50141W-44	Mount Channel (Optional)
19	1	77-50141W-19	Gear Box Cover	45	1	77-50141W-45	* Roller Fairlead
20	2	77-50141W-20	Spacer	46	4	77-50141W-46	Washer
21	2	77-50141W-21	Ring	47	4	77-50141W-47	Spring Washer
22	2	77-50141W-22	Seal Ring	48	4	77-50141W-48	Screw
23	1	77-50141W-23	Drum Assembly	49	1	76-50251BW-49	Safety Hook
24	1	77-50141W-24	Screw	50	1	77-50141W-50	Switch Assembly
25	1	77-50141W-25	Cable Anchor	51	1	77-50141W-51	Hand Strap
26	1	77-50141W-26	Screw	52	1	19-52001	** Hawse Fairlead
				53	1	19-52038-100C	** Synthetic Rope

* Included with steel cable model PN 76-50260W
 ** Included with synthetic rope model PN 76-53260W



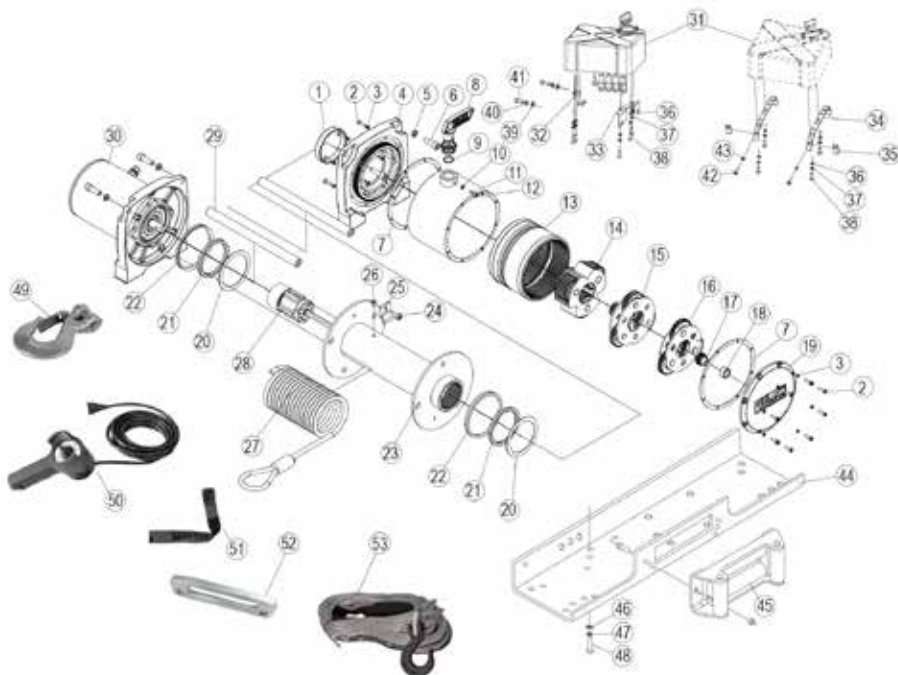
PARTS BREAKDOWN & ASSEMBLY

SEC95

ITEM	QTY	PART#	DESCRIPTION	ITEM	QTY	PART#	DESCRIPTION
1	1	77-50141W-01	Dry Bearing	27	1	76-50256BW-27	* Steel Cable
2	16	77-50141W-02	Screw M4 x 12	28	1	77-50141W-28	Brake/Shaft Assembly
3	16	77-50141W-03	Spring Washer M4	29	2	77-50141W-29	Tie Bar
4	1	77-50141W-04	End Bearing	30	1	77-50141W-30	Motor End
5	4	77-50141W-05	Spring Washer M8	31	1	77-50141W-31	Solenoid Assembly
6	4	77-50141W-06	Screw M8 x25	32	1	77-50141W-32	Solenoid Bracket 1
7	2	77-50141W-07	Gasket	33	1	77-50141W-33	Solenoid Bracket 2
8	1	77-50141W-08	Clutch Handle	34	2	77-50141W-34	Solenoid Bracket 3
9	1	77-50141W-09	Seal	35	2	77-50141W-35	Solenoid Bracket 4
10	1	77-50141W-10	Spring Washer	36	5	77-50141W-36	Washer M6
11	1	77-50141W-11	Gear Ring	37	5	77-50141W-37	Spring Washer M6
12	1	77-50141W-12	Retaining Screw	38	5	77-50141W-38	Screw M6 x 16
13	1	77-50141W-13	Gear Ring - input/intermediate	39	2	77-50141W-39	Washer M6
14	1	77-50141W-14	Gear Carrier Assembly - output	40	2	77-50141W-40	Spring Washer M6
15	1	77-50141W-15	Gear Carrier Assembly - intermediate	41	2	77-50141W-41	Screw M6 x 12
16	1	76-50256BW-16	Gear Carrier Assembly - input	42	2	77-50141W-42	Screw M6 x 16
17	1	76-50256BW-17	Gear - input sun	43	2	77-50141W-43	Spring Washer M5
18	1	77-50141W-18	Gear Bushing	44	1	77-50141W-44	Mount Channel (Optional)
19	1	77-50141W-19	Gear Box Cover	45	1	77-50141W-45	* Roller Fairlead
20	2	77-50141W-20	Spacer	46	4	77-50141W-46	Washer
21	2	77-50141W-21	Ring	47	4	77-50141W-47	Spring Washer
22	2	77-50141W-22	Seal Ring	48	4	77-50141W-48	Screw
23	1	77-50141W-23	Drum Assembly	49	1	76-50256BW-49	Safety Hook
24	1	77-50141W-24	Screw	50	1	77-50141W-50	Switch Assembly
25	1	77-50141W-25	Cable Anchor	51	1	77-50141W-51	Hand Strap
26	1	77-50141W-26	Screw	52	1	19-52001	** Hawse Fairlead
				53	1	19-52038-100C	** Synthetic Rope

* Included with steel cable model PN 76-50246BW

** Included with synthetic rope model PN 76-53246BW



PARTS BREAKDOWN & ASSEMBLY

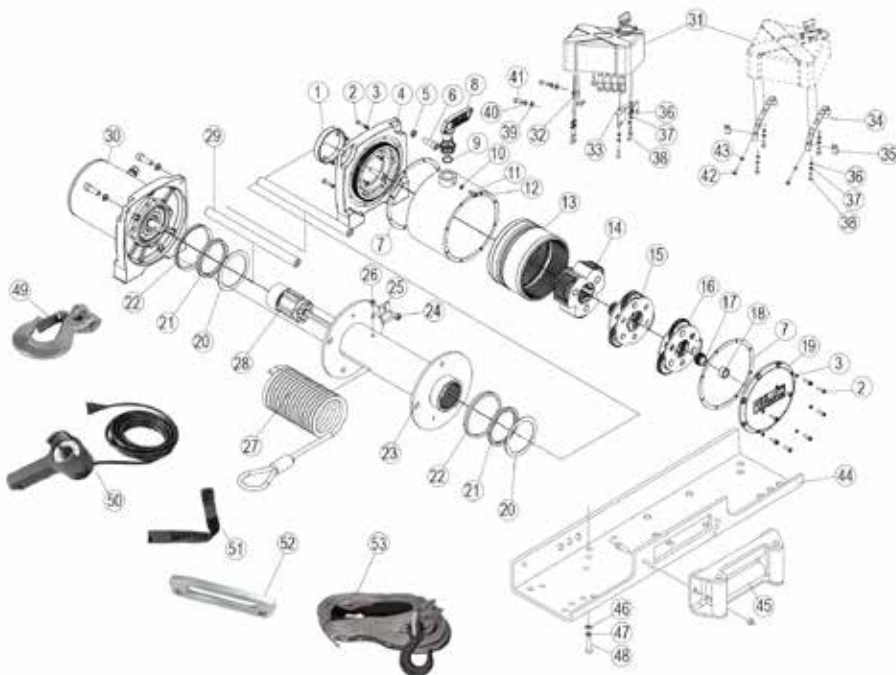
SEC8

ITEM	QTY	PART#	DESCRIPTION
1	1	77-50141W-01	Dry Bearing
2	16	77-50141W-02	Screw M4 x 12
3	16	77-50141W-03	Spring Washer M4
4	1	77-50141W-04	End Bearing
5	4	77-50141W-05	Spring Washer M8
6	4	77-50141W-06	Screw M8 x25
7	2	77-50141W-07	Gasket
8	1	77-50141W-08	Clutch Handle
9	1	77-50141W-09	Seal
10	1	77-50141W-10	Spring Washer
11	1	77-50141W-11	Gear Ring
12	1	77-50141W-12	Retaining Screw
13	1	77-50141W-13	Gear Ring input/intermediate
14	1	77-50141W-14	Gear Carrier Assembly output
15	1	77-50141W-15	Gear Carrier Assembly intermediate
16	1	77-50141W-16	Gear Carrier Assembly input
17	1	77-50141W-17	Gear input sun
18	1	77-50141W-18	Gear Bushing
19	1	77-50141W-19	Gear Box Cover
20	2	77-50141W-20	Spacer
21	2	77-50141W-21	Ring
22	2	77-50141W-22	Seal Ring
23	1	77-50141W-23	Drum Assembly
24	1	77-50141W-24	Screw
25	1	77-50141W-25	Cable Anchor
26	1	77-50141W-26	Screw

ITEM	QTY	PART#	DESCRIPTION
27	1	77-50141W-27	* Steel Cable
28	1	77-50141W-28	Brake/Shaft Assembly
29	2	77-50141W-29	Tie Bar
30	1	77-50141W-30	Motor End
31	1	77-50141W-31	Solenoid Assembly
32	1	77-50141W-32	Solenoid Bracket 1
33	1	77-50141W-33	Solenoid Bracket 2
34	2	77-50141W-34	Solenoid Bracket 3
35	2	77-50141W-35	Solenoid Bracket 4
36	5	77-50141W-36	Washer M6
37	5	77-50141W-37	Spring Washer M6
38	5	77-50141W-38	Screw M6 x 16
39	2	77-50141W-39	Washer M6
40	2	77-50141W-40	Spring Washer M6
41	2	77-50141W-41	Screw M6 x 12
42	2	77-50141W-42	Screw M6 x 16
43	2	77-50141W-43	Spring Washer M5
44	1	77-50141W-44	Mount Channel (Optional)
45	1	77-50141W-45	* Roller Fairlead
46	4	77-50141W-46	Washer
47	4	77-50141W-47	Spring Washer
48	4	77-50141W-48	Screw
49	1	77-50141W-49	Safety Hook
50	1	77-50141W-50	Switch Assembly
51	1	77-50141W-51	Hand Strap
52	1	19-52001	** Hawse Fairlead
53	1	19-52516-100C	** Synthetic Rope

* Included with steel cable model PN 77-50141W

** Included with synthetic rope model PN 77-53141W



WARRANTY

Mile Marker/Selectro Hubs and Conversion Kits Limited Warranty

Mile Marker Industries warrants directly to the first purchaser that part numbers 427, 428, and all “Selectro Classic” models will be free from defect in material and workmanship appearing under normal use and service for a period of one year.

Mile Marker Industries warrants directly to the first purchaser that part numbers 426, 438, and 460 will be free from defect in material and workmanship appearing under normal use and service for a period of two years.

Mile Marker Industries warrants directly to the first purchaser that part numbers 104, 302, 423, 430, 435, 436, 449SS, 457, 459SS, 466, 470, 481, 490 and 549 will be free from defect in material and workmanship appearing under normal use and service for as long as said purchaser owns the Premium Locking Hubs.

Mile Marker Industries warrants directly to the first purchaser that all Mile Marker Conversion Kits will be free from defect in material and workmanship appearing under normal use and service for a period of one year.

Warranty registration must be submitted at milemarker.com/warranty within thirty days of purchase by the end user. If you discover a hidden defect, Mile Marker will, as its option, repair or replace the product or necessary replacement parts at no charge to you, provided you remove the product from the vehicle and return it prepaid to Mile Marker Industries. If the product was purchased in the United States, the owner must contact our warranty department to get a Return Goods Authorization (RGA) number before returning the product. If the product was purchased outside the United States, the owner must return the product to the original place of purchase.

Mile Marker Industries Hydraulic Winch Limited Warranty

Mile Marker Industries warrants each winch when used in normal service against factory defects in materials and workmanship to the original commercial and recreational purchaser for the period of five years. New cable assemblies are warranted against defects in workmanship and materials when received by the retail purchaser. There is no applicable warranty for cable assemblies after initial use. Excluded from this warranty are the finish of the winch and any condition Mile Marker determines to have been caused by misuse or abnormal use. Warranty registration must be submitted at milemarker.com/warranty within thirty days by the end user. Warranty submissions must reference winch serial number to be valid. Warranty will only be valid for the original purchaser of the winch and installed on the vehicle for which it was originally registered. The owner will be responsible for removing the winch and returning it to Mile Marker freight prepaid unless a determination is made that replacement parts can be sent out which will remedy the problem. Mile Marker will repair or replace any or all winch parts, which after inspection determines to be defective. If the product was purchased in the United States, the owner must contact our warranty department to get a Return Goods Authorization (RGA) number before returning the product. If the product was purchased outside the United States, the owner must return the product to the original place of purchase.

Mile Marker Industries Electric Winch Limited Two Year Warranty

Mile Marker, Industries offers a limited two year warranty to the original retail purchaser for each new Mile Marker electric winch, used as a recreational recovery winch only, against manufacturing defects in workmanship and materials on all mechanical components. Electrical components consisting of motors, solenoids, wiring, wire connectors and associated parts have a limited one year warranty. New cable assemblies are warranted against defects in workmanship and materials when received by the retail purchaser. There is no applicable warranty for cable assemblies after initial use. Excluded from this warranty are the finish of the winch and any condition Mile Marker determines to have been caused by misuse or abnormal use. Warranty registration must be submitted at milemarker.com/warranty within thirty days by the end user. Warranty submissions must reference winch serial number to be valid. Warranty will only be valid for the original purchaser of the winch and installed on the vehicle for which it was originally registered. The owner will be responsible for removing the winch and returning it to Mile Marker freight prepaid unless a determination is made that replacement parts can be sent out which will remedy the problem. Mile Marker will repair or replace any or all winch parts, which after inspection determines to be defective. If the product was purchased in the United States, the owner must contact our warranty department to get a Return Goods Authorization (RGA) number before returning the product. If the product was purchased outside the United States, the owner must return the product to the original place of purchase.

For full warranty and general warranty procedure and policy visit milemarker.com/warranty