



THE AUTOMOTIVE LIGHTING BENCHMARK

# SINGLE ROW LIGHT BAR FEATURING 2BANGER PODS ASSEMBLY GUIDE

**WARNING:** By reading this document, you agree it is only to be used as an educational guide. Morimoto Lighting nor its dealers make guarantees on any finished results, nor are they to be held responsible for any damage, misuse, or personal injuries. If you are unable to clearly understand and adapt the information below, professional installation is recommended.

## PACKAGE CONTENTS



2BANGER PODS  
(PRE-CONFIGURED QTY)



2X BAR END MOUNTING FEET



POD-LINK KITS  
(PRE-CONFIGURED QTY)



MIDDLE SUPPORT LEG(S)  
(PRE-CONFIGURED QTY)

## TOOLS REQUIRED

- 8MM SOCKET OR WRENCH
- 10MM SOCKET OR WRENCH
- 2.5MM L-KEY OR DRIVER
- 3MM L-KEY OR DRIVER
- 4MM L-KEY OR DRIVER

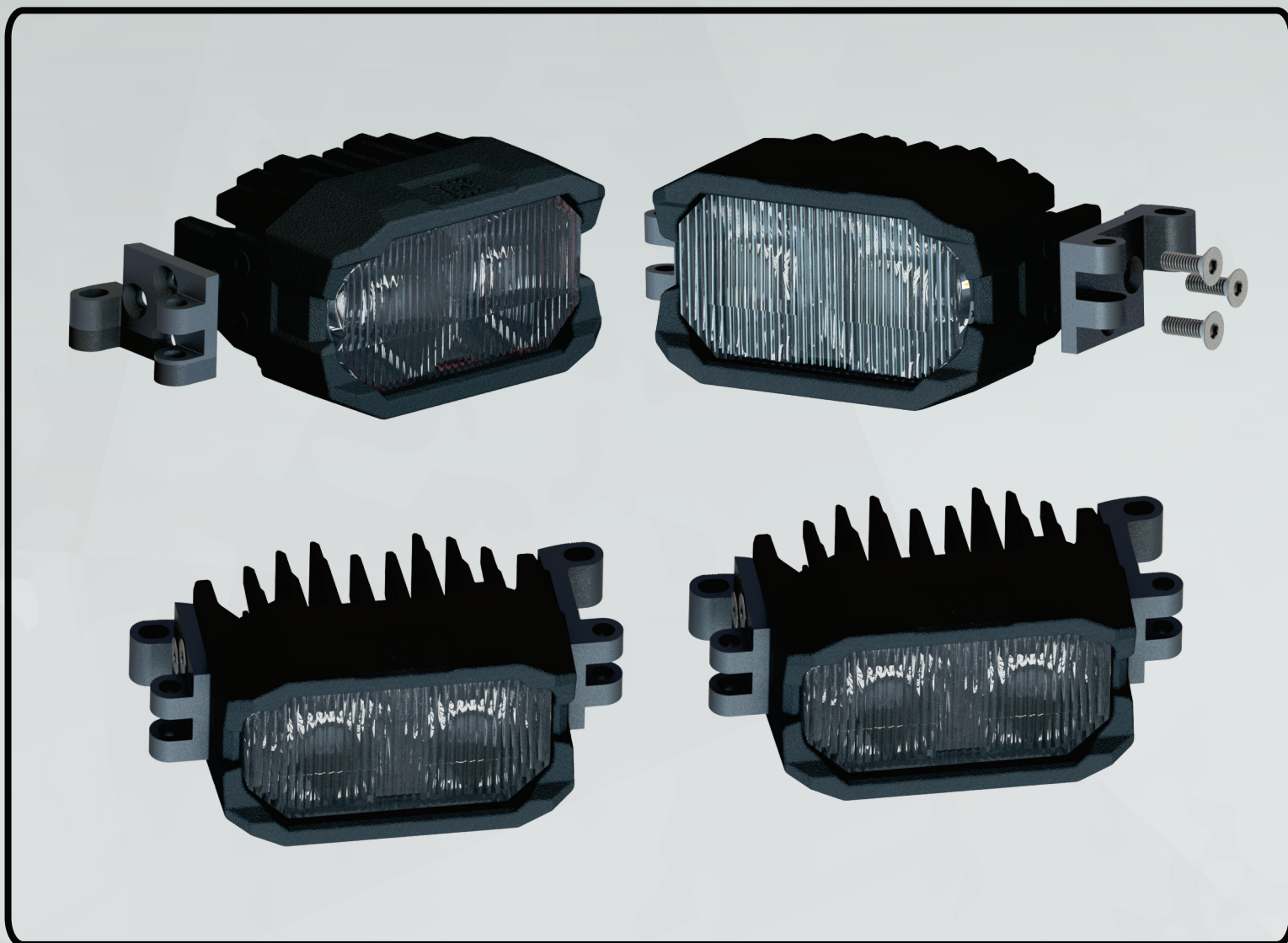
# DO NOT USE POWER TOOLS!

# ASSEMBLY PROCESS

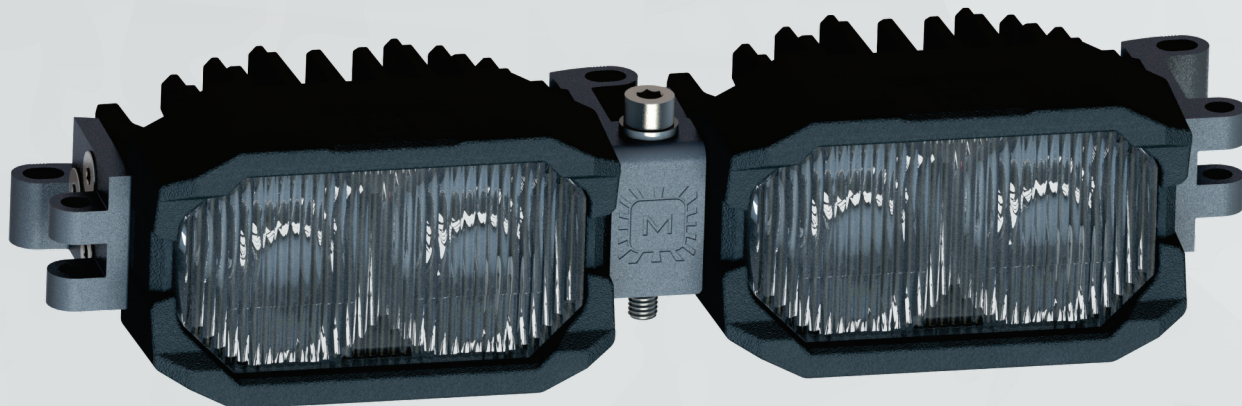
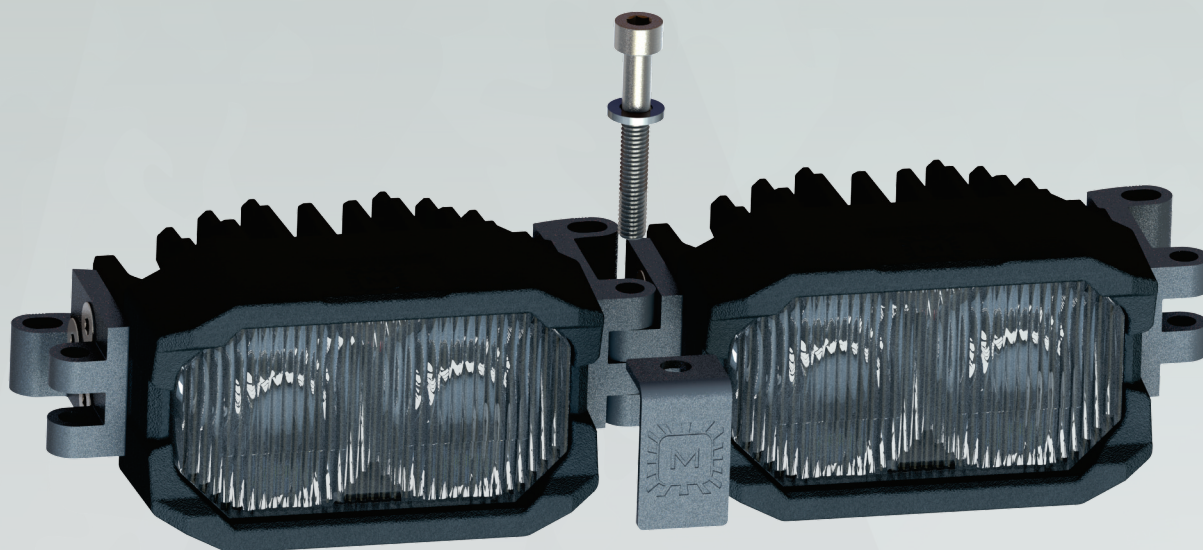
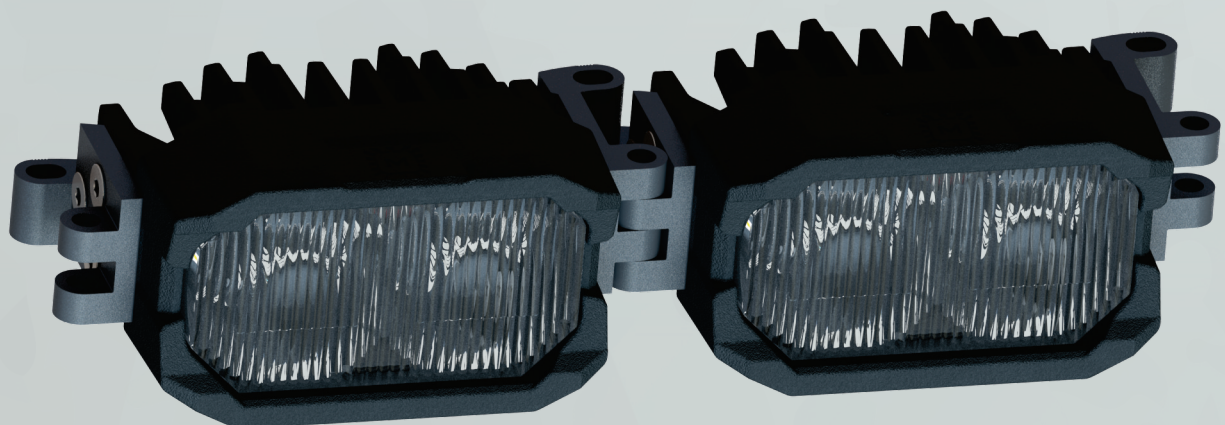
1. Begin by laying out the pods in a line to be assembled. Follow the recommended format below:



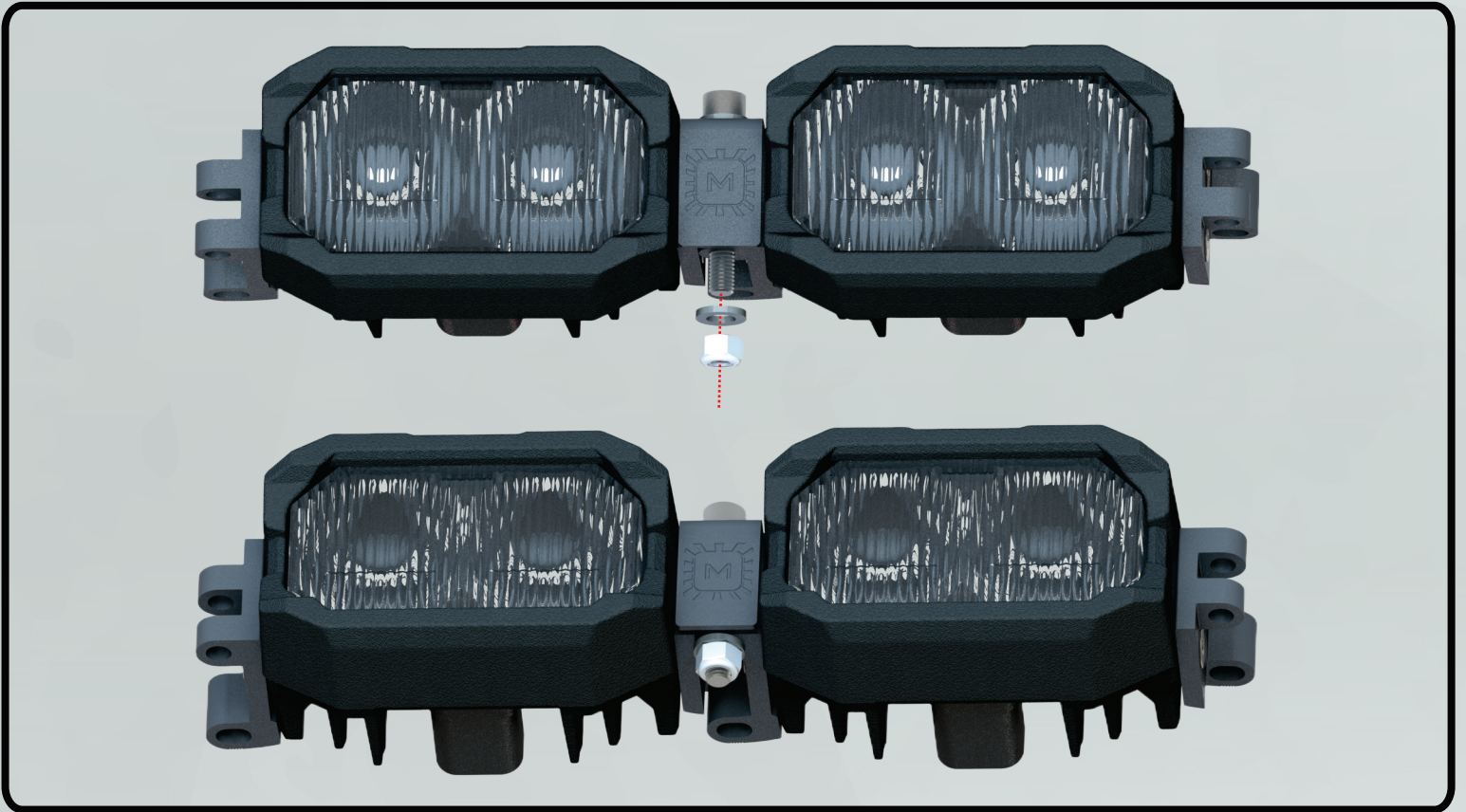
2. Fit the interlink pieces to the end of each 2Banger pod, except for the end pods. Note: these pieces are all identical, and are just flipped L/R. Install and tighten the M4 flat head screws using a 2.5mm hex key or bit.



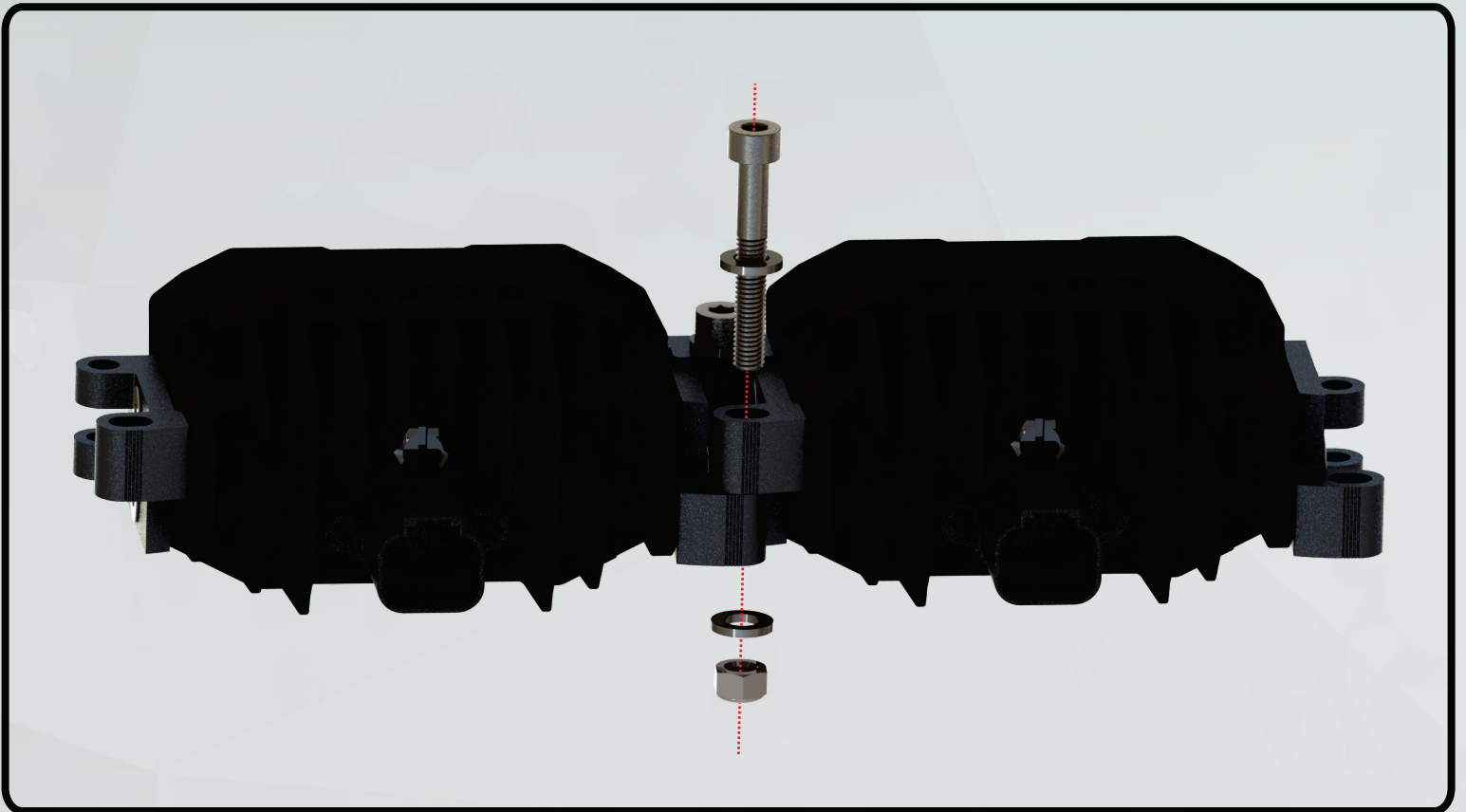
3. Align the endlinks of the pods. Line up the cover bracket with the front of the interlink. Place an M5 washer on an M5 x 35mm screw and place the screw through the assembly as shown.



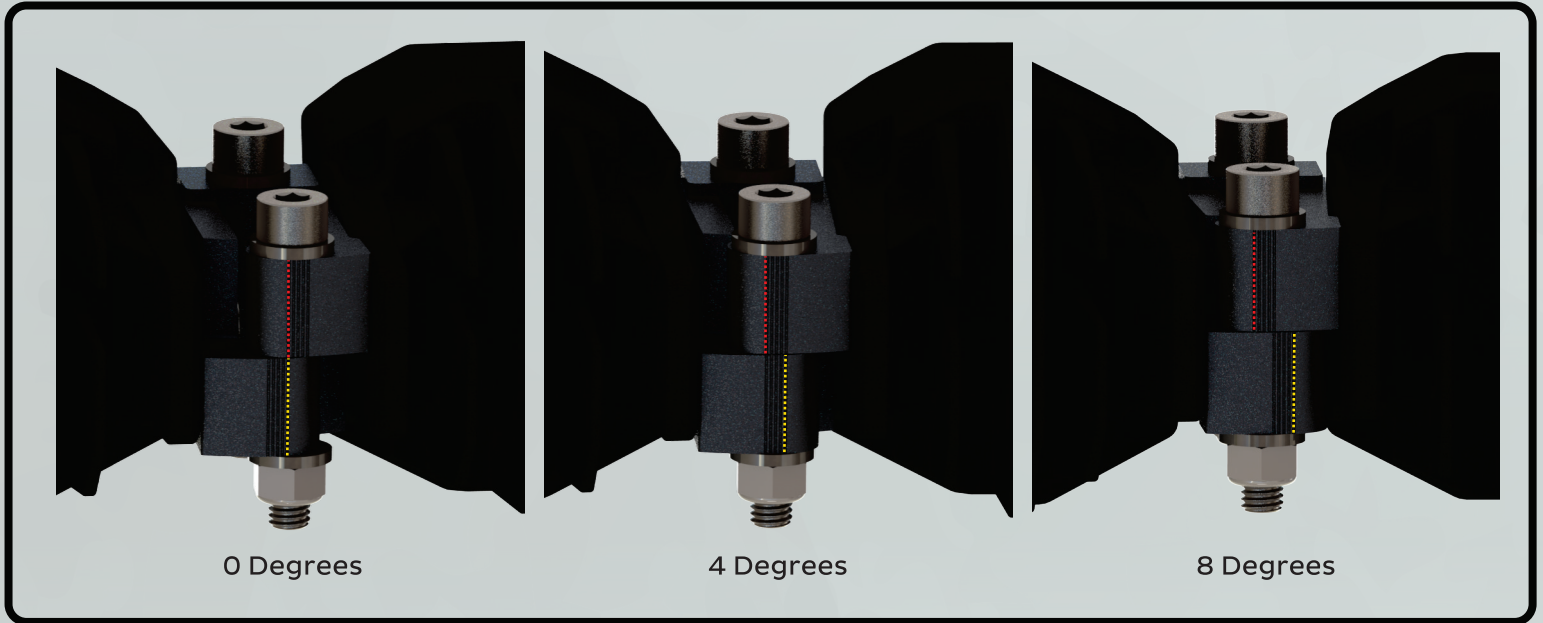
4. Add an M5 washer before fitting the M5 lock nut to the bottom. Ensure the cover bracket is kept in the correct orientation, and tighten the assembly using a 4mm hex key and 8mm socket until snug.



5. Fit a M5 x 35mm screw, two washers, and another M5 lock nut on to the rear holes as shown. Do not fully tighten!



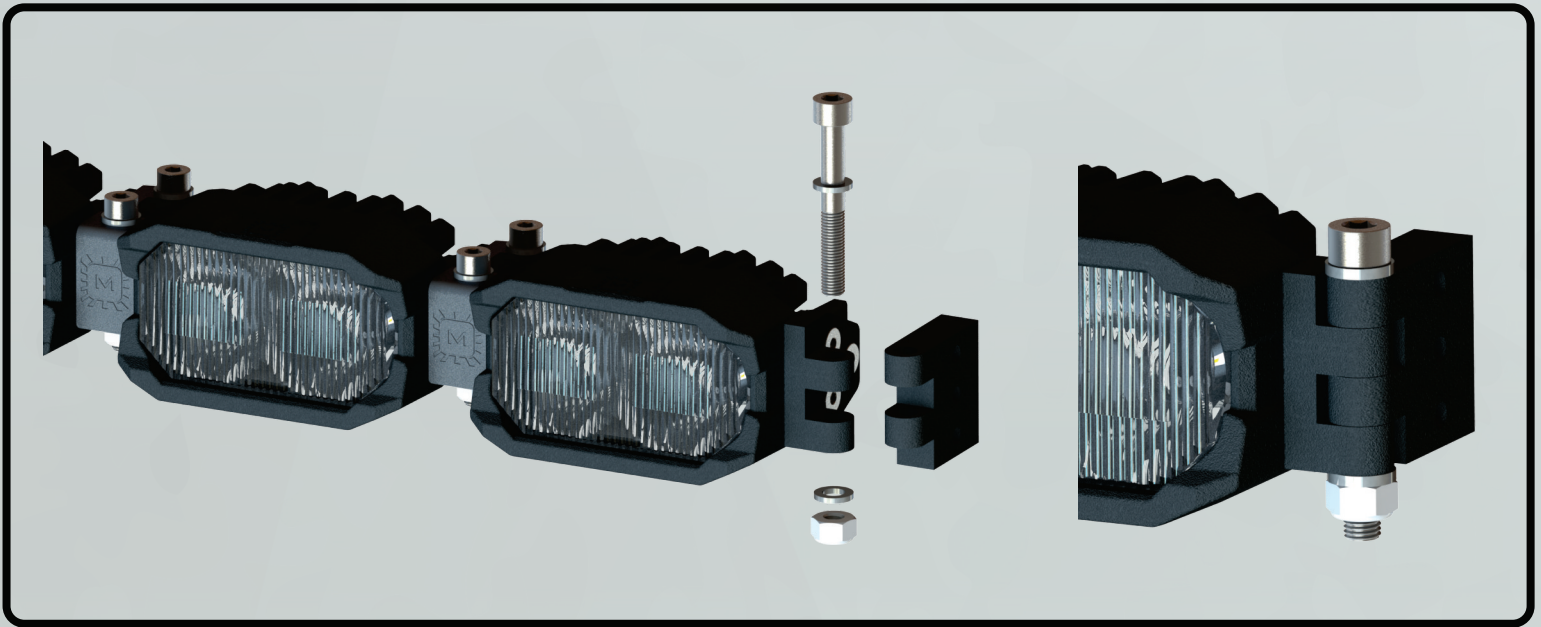
6. The curvature of the bar is controlled by the angle of the bracket assembly, and noted by the markings on the back of the brackets as shown. Once the correct curvature has been set, proceed with tightening all M5 bolts. It is helpful to lay the bar flat on a work bench when tightening to ensure the bar is secured in a horizontal line.



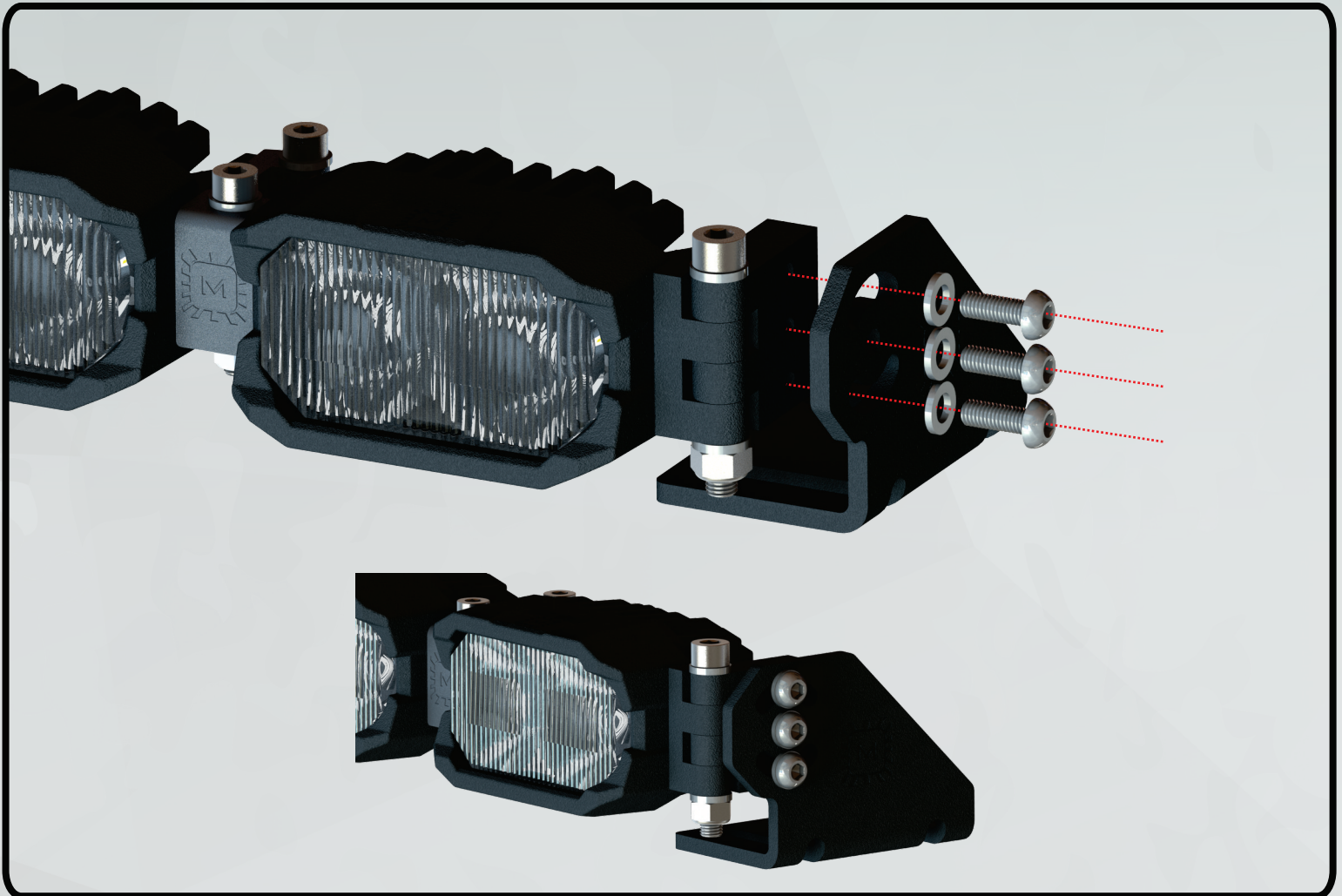
7. At the ends, fit and install the brackets and M4 flathead screws. Tighten screws using a 2.5mm hex key.



8. Align the swivel bracket with the bracket attached to the pod. Place an M6 washer on a M6 x 45mm screw and fit through both brackets as shown. Next, add another M6 washer and an M6 lock nut. Do not fully tighten!



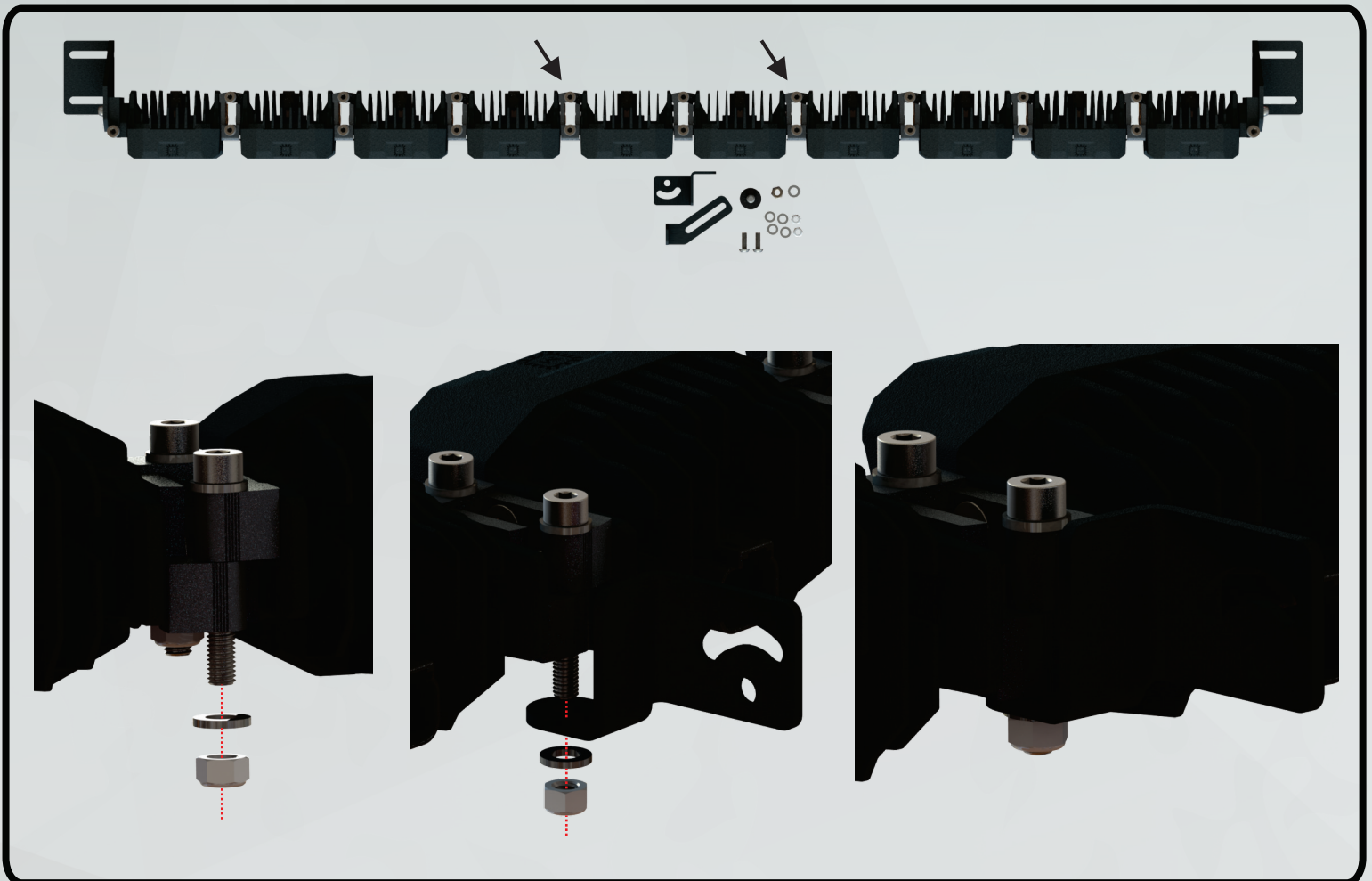
9. Mate the steel mounting bracket to the holes on the swivel bracket. Using a 3mm hex key, fit and tighten three M5 x 14mm screws and washers as shown.



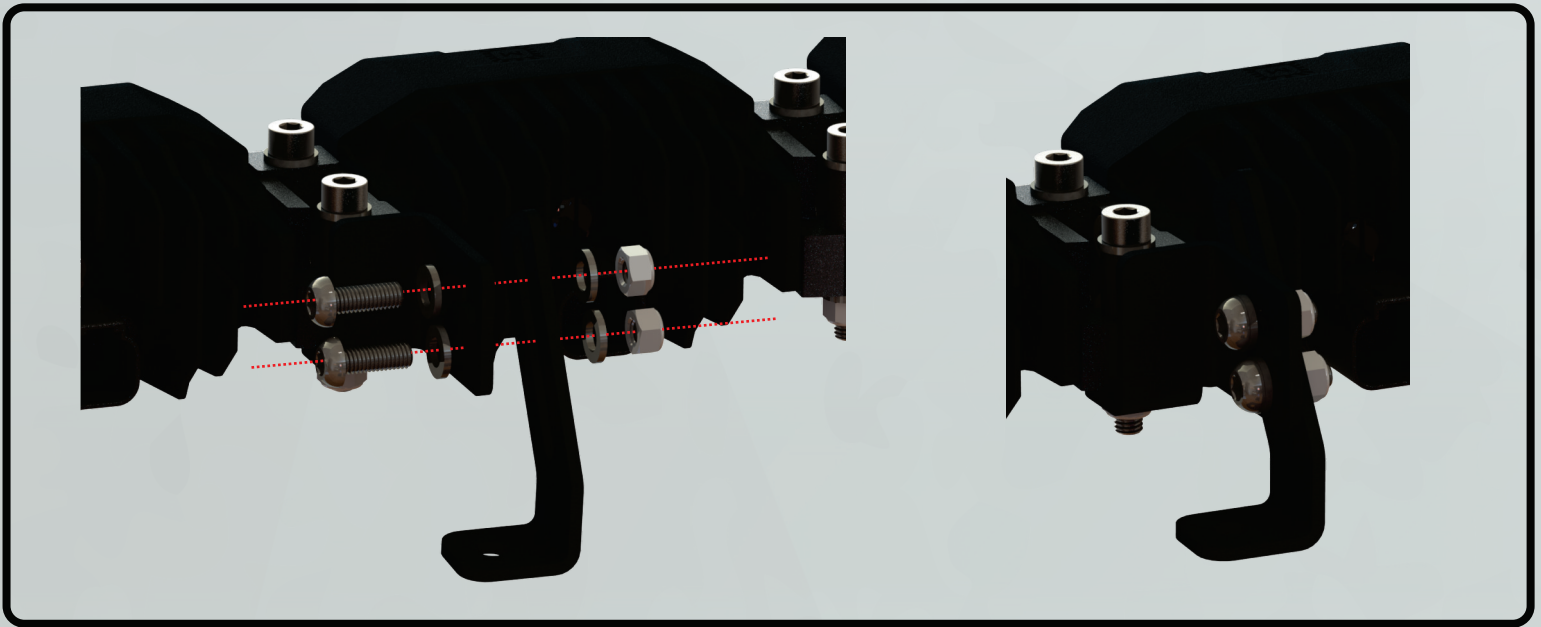
10. Repeat on the other bar end.



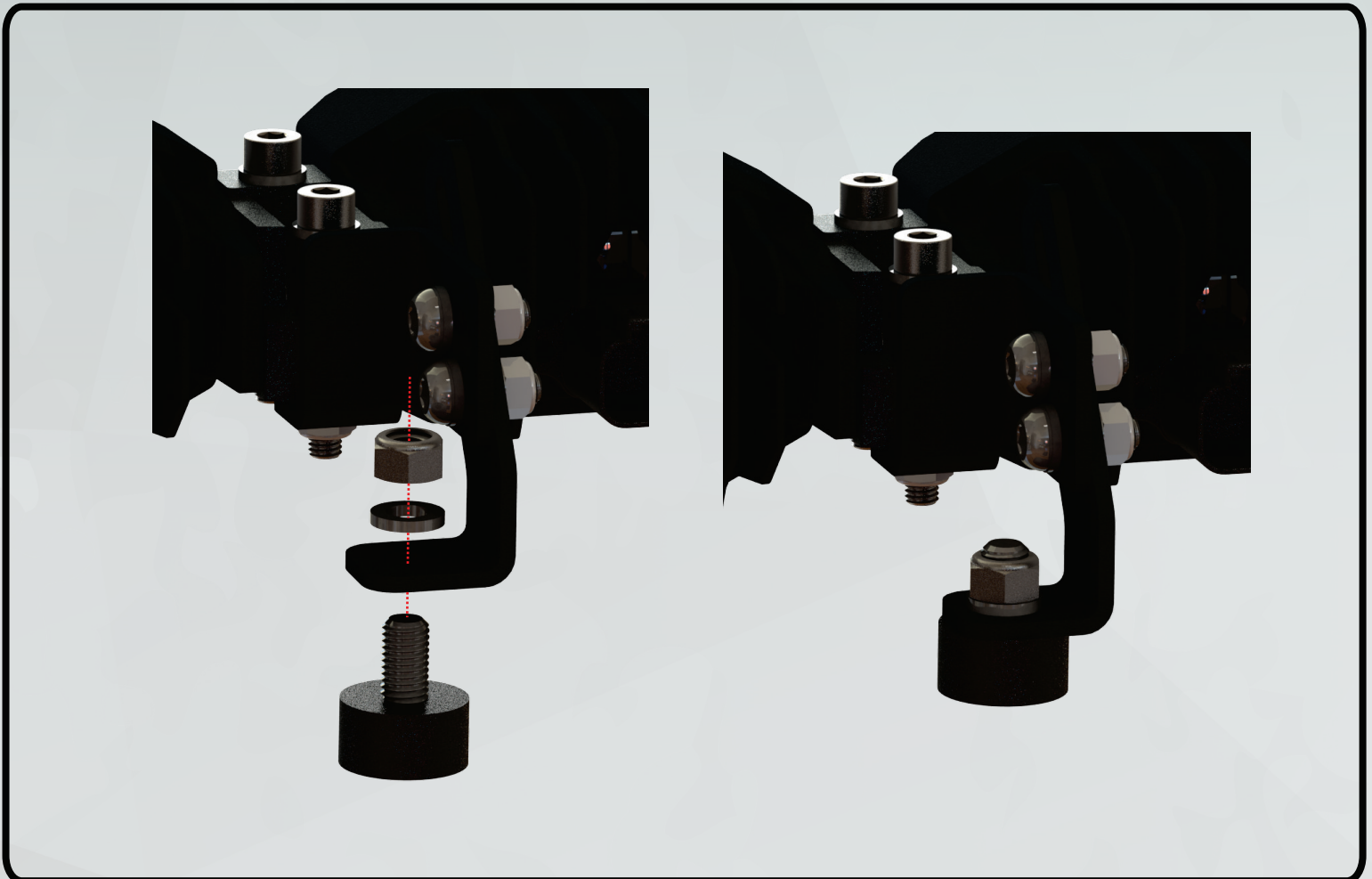
11. Support legs are provided to minimize vibration and movement. We recommend using a support leg every 3-4 brackets. This will help distribute the load more evenly across the assembly. Fit the bracket by removing the lock nut and washer from the pod link, slide on the bracket, and re-fit the washer and lock nut.



12. Mate the support bracket leg against the base as shown. Fit 2x M5 x 14mm screws, 4x M5 washers, and 2x M5 lock nuts as shown. Use a 3mm hex bit and 8mm socket or wrench to snug. Do not fully tighten!

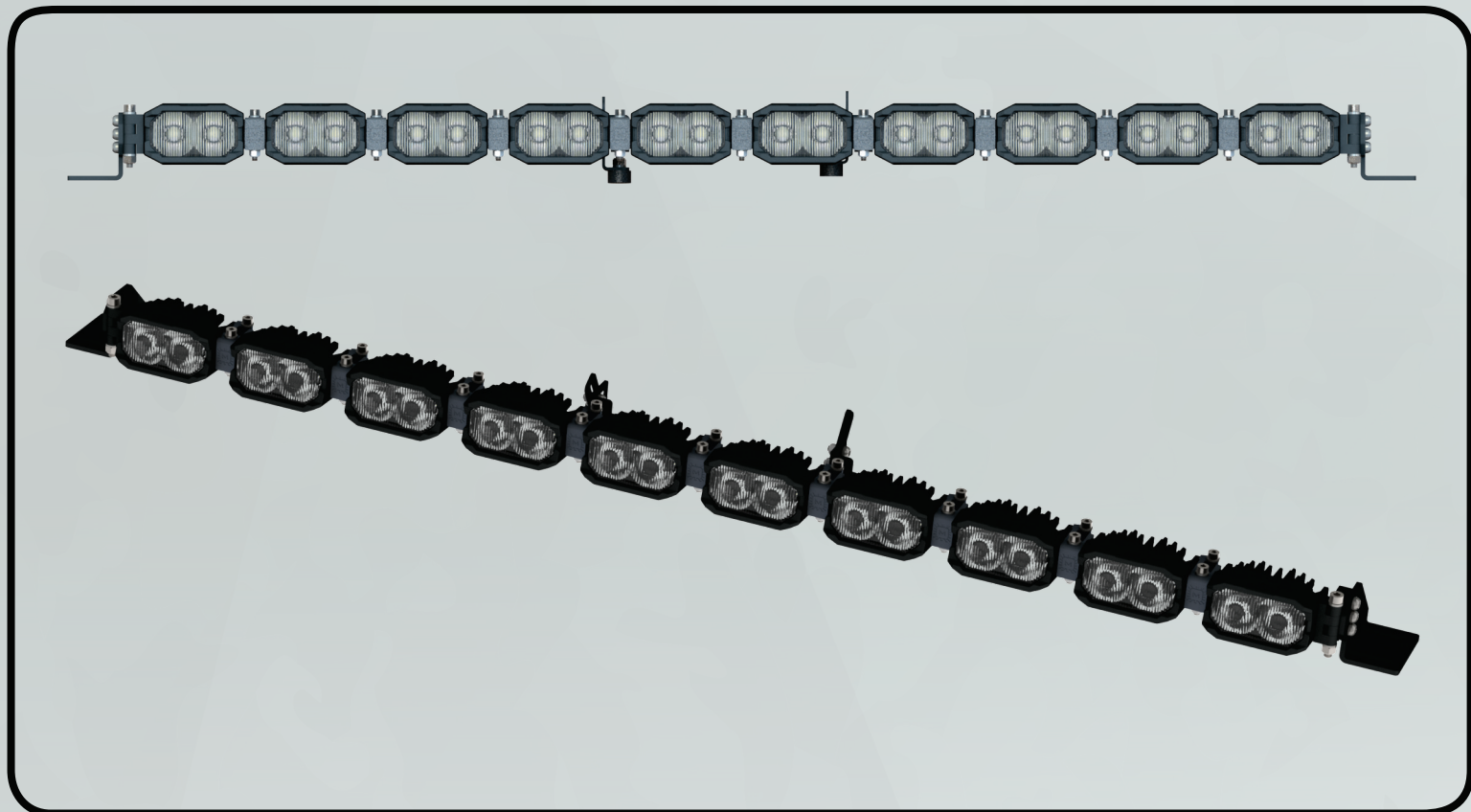


13. Fit the rubber bumper through the support leg, place an M6 washer and M6 lock nut. Using your hands or pliers, fully tighten the lock nut using a 10mm socket or wrench.





14. The end mounts can be mounted to the vehicle using M6 bolts, screws, or existing studs. The slots in the steel brackets allow for the curvature of the bar. If necessary, the steel brackets can be swapped L/R to increase or decrease the mounting location width. Fit the bar to your vehicle, adjust aim and curvature, and then tighten all bolts until snug. Do not overtighten.



15. Once the bar is installed on the vehicle, extend the support legs as far as possible so that there is some preload on the light bar, then tighten the support leg bracket bolts.

-END-